

MICRO SWITCH

A DIVISION OF HONEYWELL-REGULATOR COMPANY
PREPONT, ILLINOIS

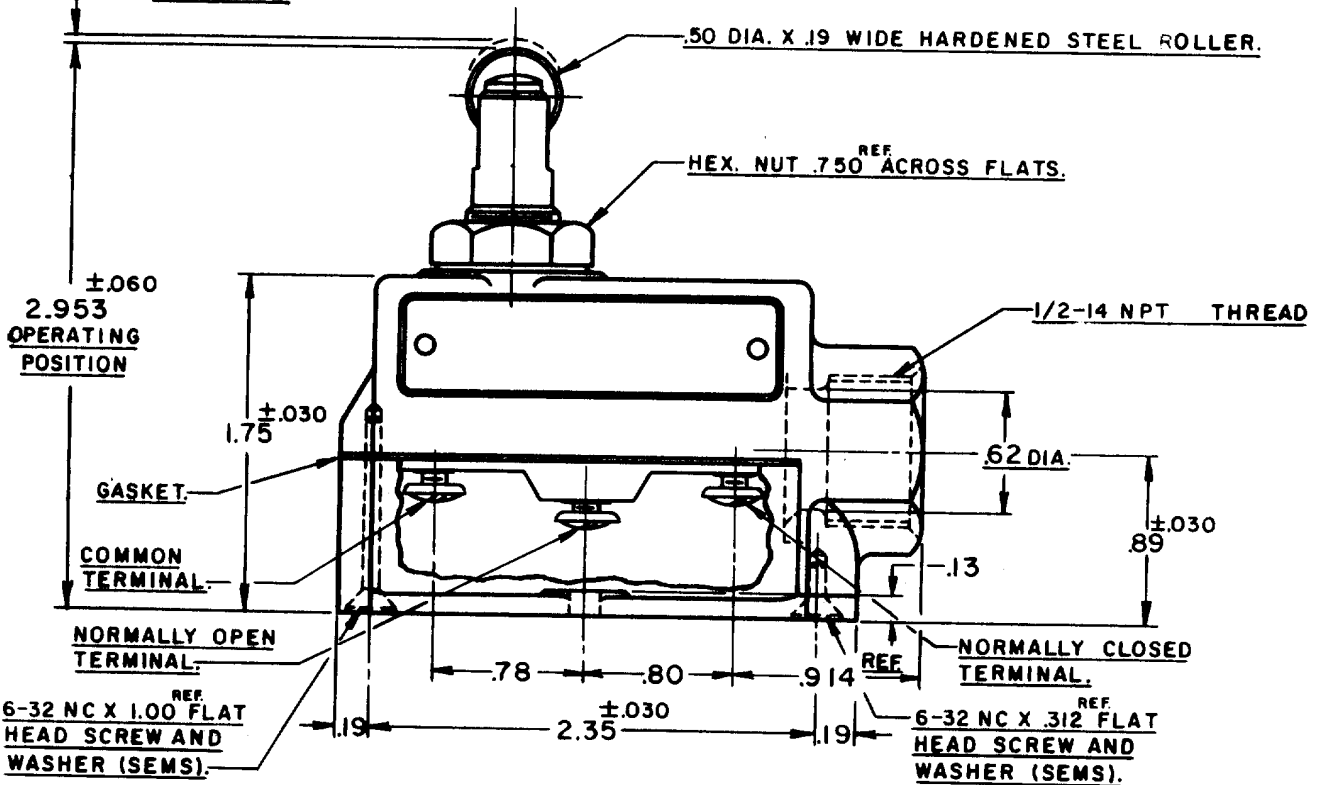
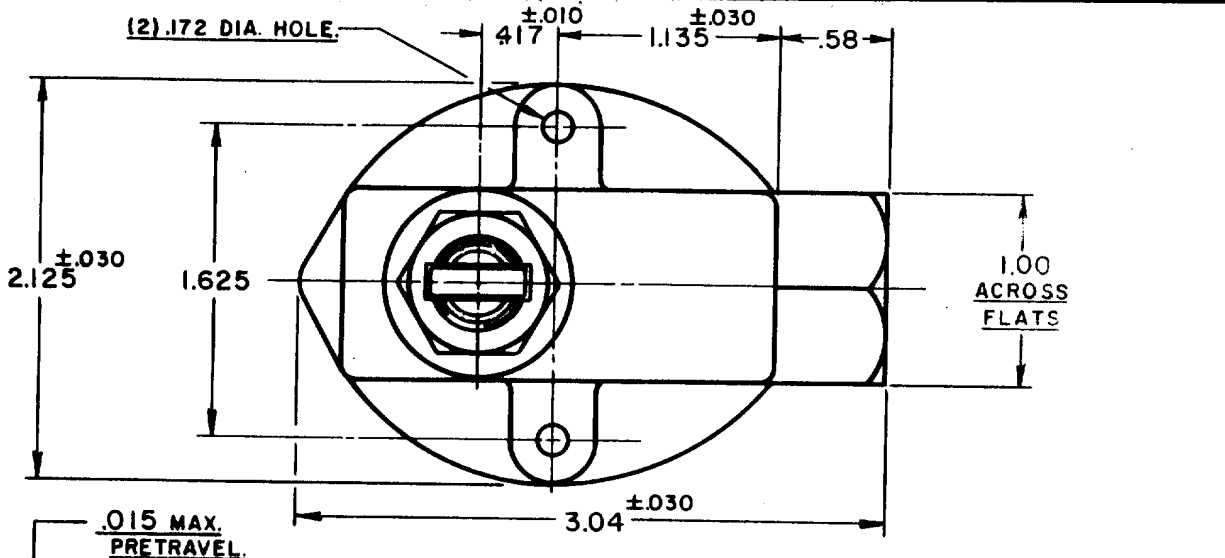
FED. MFR. CODE 91929

SWITCH-ENCLOSED

CATALOG LISTING

BZV6-2RQ8

THIS DRAWING COVERS A PROPRIETARY ITEM AND IS THE PROPERTY OF MICRO SWITCH, A DIVISION OF HONEYWELL. THIS DRAWING IS NOT TO BE COPIED OR USED WITHOUT THE APPROVAL OF MICRO SWITCH.



NOTE-

1-(3) 6-32 NC X .219^{REF} TERMINAL SCREW AND CUPWASHER.

BZV6-2RQ8

M

DRAWING NUMBER

X 2 7

ISSUE

EVL 27 MAR 58

REVISIONS

A CO 17653 JPH 29 JAN 64

B CO30398 DFW 12 APR 2

C CO53191-E JAP 2 MAR 84

D CO55989 JAP 6 NOV 84

E CO54959N KFW 8 JUL 85

F CO72661 DAW 10 SEP 92

CHECK KFM 29 MAR 58

CHECK KAF 26 MARCH 58

DRAWN

FO-80378

CHARACTERISTICS	
OPERATING FORCE	9-13 OZ.
RELEASE FORCE	4 OZ. MIN.
DIFFERENTIAL TRAVEL	.002 MAX.
OVERTRAVEL	.140 MIN.
SWITCH-BASIC REPLACEMENT	BZ-2RQ784

ELECTRICAL DATA	
CONTACT ARRANGEMENT S. P. D. T.	
15A-125 VAC OR 480 VAC, 2A-800 VAC -L74- 1/8HP-125 VAC; 1/4HP-200 VAC 1/2A-125 VDC; 1/4A-200 VDC	

SCALE-FULL	
DO NOT SCALE PRINT	
UNLESS OTHERWISE SPECIFIED DIMENSIONS ARE IN INCHES	
TOLERANCES ARE:	
ONE PLACE	(.0) ±.030
TWO PLACE	(.00) ±.015
THREE PLACE	(.000) ±.005
ANGLES	±
WEIGHT .58 LB.	

