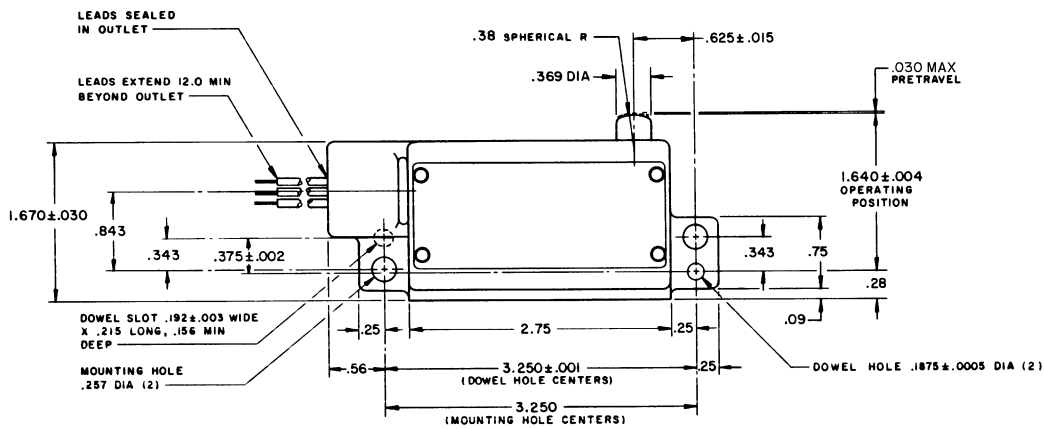
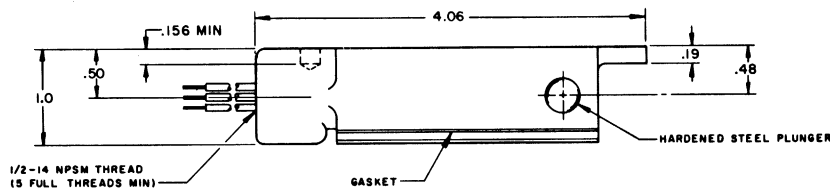


MICRO SWITCH
 FREEPORT, ILLINOIS, U.S.A.
 A DIVISION OF HONEYWELL
 FED. MFG. CODE #1929

SWITCH- ENCLOSED

CATALOG LISTING
BZLN-RH



THIS DRAWING COVERS A PROPRIETARY ITEM AND IS THE PROPERTY OF MICRO SWITCH, A DIVISION OF MINNEAPOLIS-HONEYWELL REGULATOR CO. THIS DRAWING IS NOT TO BE COPIED OR USED WITHOUT THE APPROVAL OF MICRO SWITCH.

CHARACTERISTICS	ELECTRICAL DATA	SCALE FULL
OPERATING FORCE ----- 5 LB MAX	CONTACT ARRANGEMENT S P D T	DO NOT SCALE PRINT
RELEASE FORCE ----- 1 LB MIN	- L96- 15 A-125, 250, OR 480 VAC 1/2 A-125 VDC, 1/4 A-250 VDC 1/8 HP-125 VAC, 1/4 HP-250 VAC	UNLESS OTHERWISE NOTED
DIFFERENTIAL TRAVEL ----- .004 MAX		DIMENSIONS ARE IN INCHES
OVERTRAVEL ----- .203 MIN		TOLERANCES ARE:
		ONE PLACE (.01) 2.030
		TWO PLACE (.001) 2.018
		THREE PLACE (.0005) 2.008
		ANGLES 2
		WEIGHT .720 LB
		PLUS LEADS

WIRING CONNECTIONS -
 COMMON - BLACK LEAD
 NORMALLY OPEN - BLUE LEAD
 NORMALLY CLOSED - RED LEAD

BZLN-RH
 M
 DRAWING NUMBER
 ISSUE 1011
 CHECK
 REVISIONS
 A CO19597
 M B F
 5 NOV 64
 B CO50714
 S J W
 27 APR 82
 C CO55986
 M A M
 31 OCT 84
 D CO-81715
 T K
 26 SEP 95
 CHECK
 D A W / 13 NOV 84
 CHECK
 M B F 5 NOV 64
 DRAWN
 FORMTEK