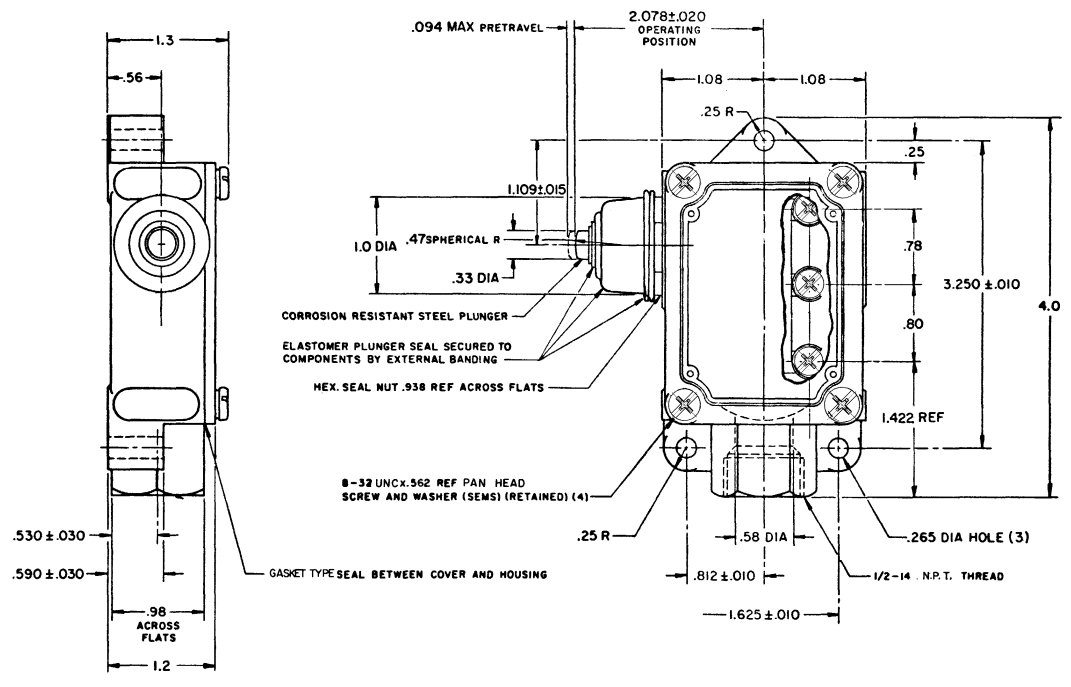


CATALOG LISTING
BZFI-2RN-RH
 ISSUE 15
 M
 RELEASE NO. OF 1
 REVISIONS
 A 17 JUN 95
 B 18 MAY 95
 C 16 MAY 95
 D 16 MAY 95
 E 16 MAY 95
 F 16 MAY 95
 G 16 MAY 95
 H 16 MAY 95
 I 16 MAY 95
 J 16 MAY 95
 K 16 MAY 95
 L 16 MAY 95
 M 16 MAY 95
 N 16 MAY 95
 O 16 MAY 95
 P 16 MAY 95
 Q 16 MAY 95
 R 16 MAY 95
 S 16 MAY 95
 T 16 MAY 95
 U 16 MAY 95
 V 16 MAY 95
 W 16 MAY 95
 X 16 MAY 95
 Y 16 MAY 95
 Z 16 MAY 95
 FORMTEK
 DRAWN
 GJW
 CHECK
 JJA
 CHECK
 JJA
 CHECK
 JJA
 CHECK
 JJA



MICRO SWITCH
 a Honeywell Division
 FED. MFG. CODE 91029

SWITCH-ENCLOSED

CATALOG LISTING
BZFI-2RN-RH
 (RIGHT HAND)



THIS DRAWING COVERS A PROPRIETARY ITEM AND IS THE PROPERTY OF MICRO SWITCH, A DIVISION OF HONEYWELL. THIS DRAWING IS NOT TO BE COPIED OR USED WITHOUT THE APPROVAL OF MICRO SWITCH

CHARACTERISTICS	ELECTRICAL DATA
OPERATING FORCE ----- 2 LB MAX	CONTACT ARRANGEMENT S P D T
RELEASE FORCE ----- 1/2 LB MIN	-L96- 15 A-125, 250, OR 480 VAC
DIFFERENTIAL TRAVEL ----- .004 MAX	1/2 A-125 VDC; 1/4 A-250 VDC
OVERTRAVEL ----- .219 MIN	1/8 HP-125 VAC; 1/4 HP-250 VAC
BASIC SWITCH REPLACEMENT BZ-2R708-P7	 

THIRD ANGLE PROJECTION
SCALE FULL
DO NOT SCALE PRINT
UNLESS OTHERWISE SPECIFIED TOLERANCES ARE
ONE PLACE (.01) ± .030
TWO PLACE (.00) ± .015
THREE PLACE (.000) ± .005
ANGLES ±
WEIGHT .500 LB

NOTE
 1 - 8-32 UNC X (.219) BINDER HEAD, COMBINATION, TERMINAL SCREWS AND CUPWASHERS (SEMS) (3)