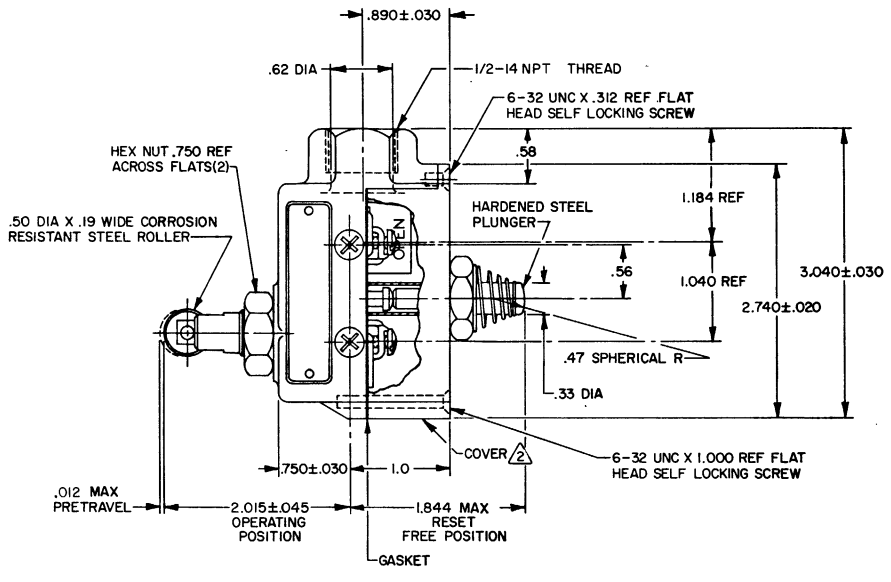
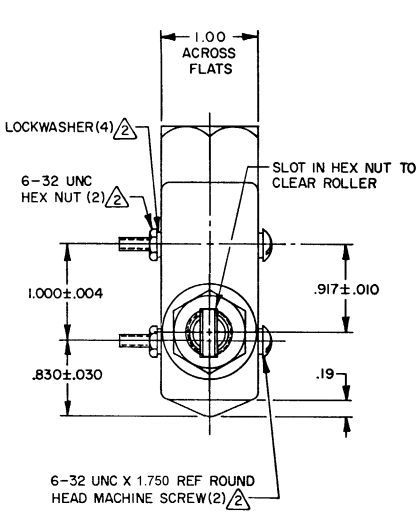


MICRO SWITCH
 FREEPORT, ILLINOIS U.S.A.
 A DIVISION OF HONEYWELL
 FED. MFG. CODE 9199

SWITCH - ENCLOSED

CATALOG LISTING
BZE6-RQ8X2

DRAWING NUMBER: BZE6-RQ8X2
 ISSUE: 9
 REVISIONS:
 A 0038200 23 AUG 77
 B 0053191F
 C 0055989
 D 0054958
 E 0072618
 F 0016894
 G 0033014
 H 0010007
 I 0010007
 J A L 29 AUG 77
 DRAWN: RASTER
 CHECK: J A L
 PSR: 29AUG07
 RELEASE NO.: 29AUG07



- NOTES-
- 1 - 6-32 UNC X .218 REF BINDING HEAD TERMINAL SCREW (3)
 - 2 - FURNISHED UNASSEMBLED
 - 3 - SEAL RATING: NEMA 1 IP40

THIS DRAWING COVERS A PROPRIETARY ITEM AND IS THE PROPERTY OF MICRO SWITCH A DIVISION OF HONEYWELL THIS DRAWING IS NOT TO BE COPIED OR USED WITHOUT THE APPROVAL OF MICRO SWITCH.

CHARACTERISTICS	ELECTRICAL DATA	SCALE FULL
OPERATING FORCE ----- 6 - 9 1/2 OZ	CONTACT ARRANGEMENT	DO NOT SCALE PRINT
OVERTRAVEL ----- .140 MIN	S P D T MAINTAINED CONTACT	UNLESS OTHERWISE NOTED
RESET CHARACTERISTICS	CODE L67 15A - 125, 250 OR 480 VAC	DIMENSIONS ARE IN INCHES
OPERATING FORCE ----- 8 OZ MIN	1/4HP - 125 VAC; 1/2HP - 250 VAC	TOLERANCES ARE:
BASIC SWITCH REPLACEMENT --- BZ-RQX784	1/2A - 125 VDC; 1/4A - 250 VDC	ONE PLACE (.01) ± .010
		TWO PLACE (.001) ± .008
		THREE PLACE (.000) ± .006
		HOLES ± .008
		WEIGHT

CE 1.5A, 240 Vac