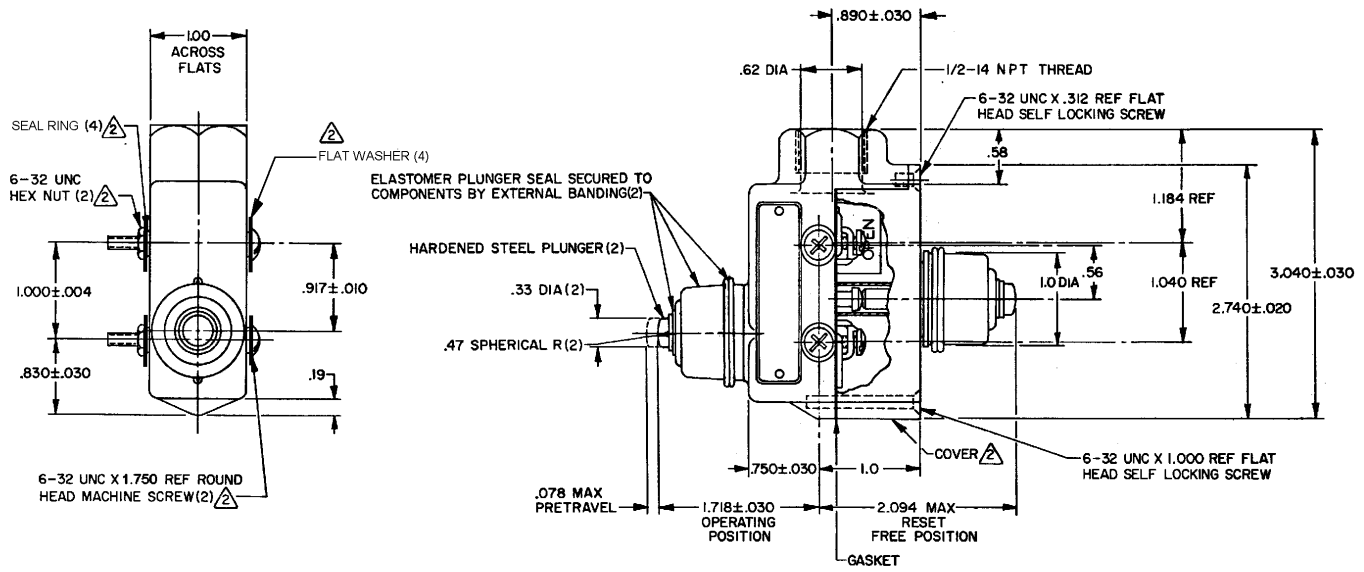


**MICRO SWITCH**  
 FREEPORT, ILLINOIS, U.S.A.  
 A DIVISION OF HONEYWELL  
 FED. MFG. CODE 9199

**SWITCH - ENCLOSED**

CATALOG LISTING  
**BZE6-RNX1**

BZE6-RNX1  
 DRAWING NUMBER  
 11  
 ISSUE  
 29AUG07  
 PSR  
 RELEASER NO.  
 REVISIONS  
 A 20 28000-8  
 B 23 AUG 77  
 C 005391-6  
 D 0055989  
 E 0055989  
 F 0055989  
 G 0055989  
 H 0055989  
 I 0055989  
 J 0055989  
 K 0055989  
 RASTER  
 23 AUG 77  
 DRAWN  
 T M M



- NOTES-
- 1 - 6-32 UNC X .218 REF BINDING HEAD TERMINAL SCREW (3) FURNISHED UNASSEMBLED
  - 3 - SEAL RATING: NEMA1,3,4 IP66

THIS DRAWING COVERS A PROPRIETARY ITEM AND IS THE PROPERTY OF MICRO SWITCH, A DIVISION OF HONEYWELL. THIS DRAWING IS NOT TO BE COPIED OR USED WITHOUT THE APPROVAL OF MICRO SWITCH.

CHARACTERISTICS	ELECTRICAL DATA	SCALE FULL
OPERATING FORCE ——— 6-20 OZ	CONTACT ARRANGEMENT SPDT MAINTAINED CONTACT	DO NOT SCALE PRINT
OVERTRAVEL ——— .187 MIN	15A-125, 250 OR 480 VAC 1/4 HP-125 VAC; 1/2 HP-250 VAC 1/2A-125 VDC; 1/4A-250 VDC CODE L67	UNLESS OTHERWISE NOTED DIMENSIONS ARE IN INCHES TOLERANCES ARE: ONE PLACE (.01) 3.000 TWO PLACE (.005) 3.018 THREE PLACE (.000) 3.008 ANGLES 2
RESET CHARACTERISTICS	CE 1.5A, 240Vac	WEIGHT .70 LB
OPERATING FORCE ——— 6 OZ MIN		
BASIC SWITCH REPLACEMENT — BZ-RQX167		