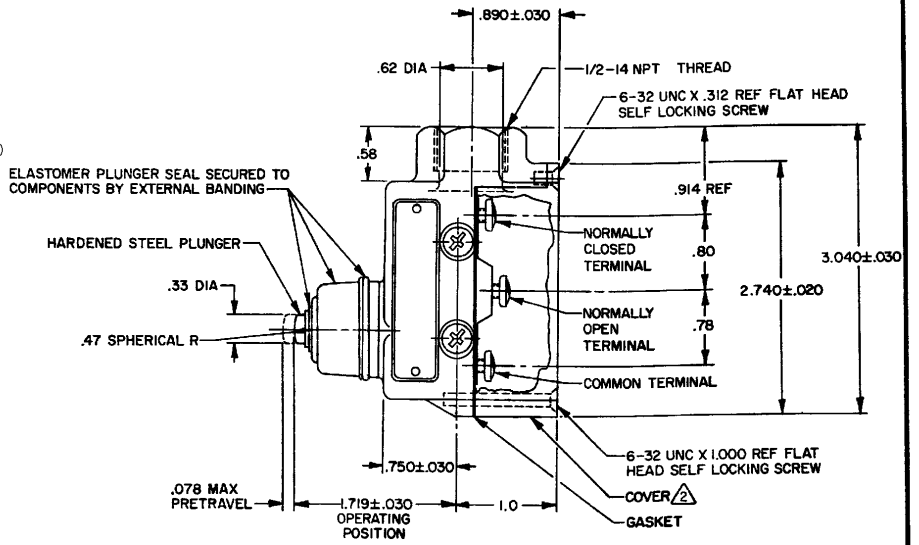
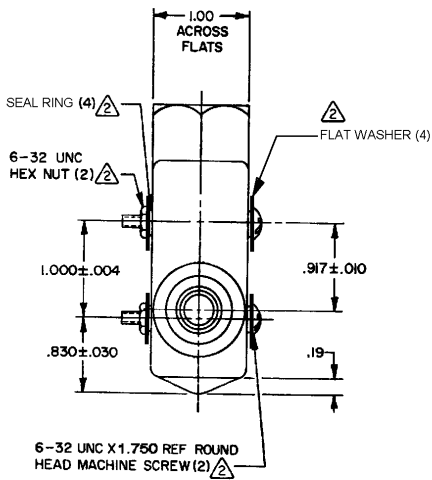


MICRO SWITCH
 FREEPORT ILLINOIS U.S.A.
 A DIVISION OF HONEYWELL
 FED. MFG. CODE 9188

SWITCH-ENCLOSED

CATALOG LISTING
BZE6 - RN



NOTES-

- 1 - 6-32 UNC X .219 REF BINDING HEAD TERMINAL SCREW AND CUPWASHER (3)
- 2 - FURNISHED UNASSEMBLED
- 3 - SEAL RATING NEMA1 3 4 IP66

ISSUE 13
 DRAWING NUMBER
 M BZE6-RN
 PSR 29AUG07
 REVISIONS:
 A 60-38900
 B 24-AUG-77
 C 005391-0
 D 0054956
 E 0072478
 F 0077384
 G 00117057
 H 0023923
 I 24-SEP-82
 J 0025847
 K 0033014
 29AUG07
 RASTER FORMS-A
 DRAWN
 S.L.B. 24 AUG 77 CHECK
 RELEASE NO.

THIS DRAWING COVERS A PROPRIETARY ITEM AND IS THE PROPERTY OF MICRO SWITCH, A DIVISION OF HONEYWELL. THIS DRAWING IS NOT TO BE COPIED OR USED WITHOUT THE APPROVAL OF MICRO SWITCH.		
CHARACTERISTICS	ELECTRICAL DATA	SCALE FULL
OPERATING FORCE-----6-20 OZ	CONTACT ARRANGEMENT S P D T	DO NOT SCALE PRINT
RELEASE FORCE-----4 OZ MIN	CODE L103	UNLESS OTHERWISE NOTED
DIFFERENTIAL TRAVEL-----.0005 MAX	15A-125, 250 OR 480 VAC	DIMENSIONS ARE IN INCHES
OVERTRAVEL-----.219 MIN	1/8 HP-125 VAC; 1/4 HP-250 VAC	TOLERANCES ARE:
BASIC SWITCH REPLACEMENT-----BZ-RQ77	CE 1.5A 240Vac	ONE PLACE (.01) ±.000
		TWO PLACE (.00) ±.000
		THREE PLACE (.000) ±.000
		ANGLES
		WEIGHT .56 LB