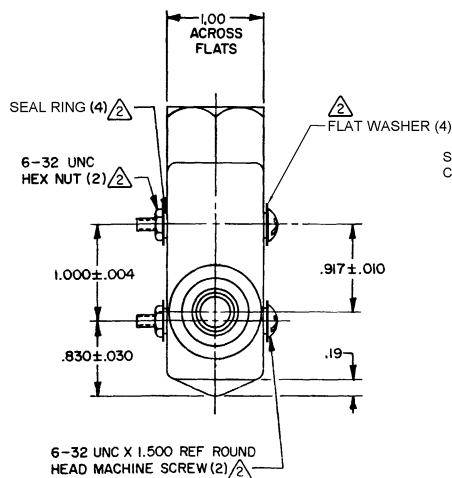


MICRO SWITCH
 FREEPORT, ILLINOIS, U.S.A.
 A DIVISION OF HONEYWELL
 FED. MFG. CODE 918F

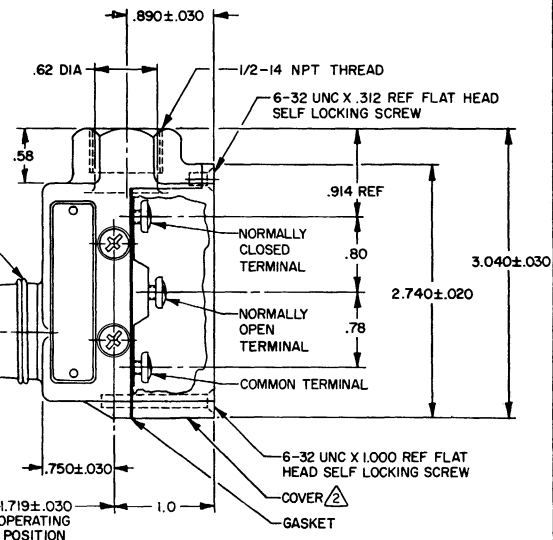
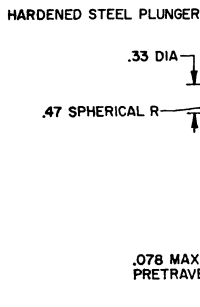
SWITCH-ENCLOSED

CATALOG LISTING
BZE6-2RN34

CATALOG LISTING
BZE6-2RN34
 ISSUE 15
 PAGE 1 OF 1
 RELEASE NO. 300CT08
 P/N 300CT08
 CHECK 24AUG08
 DVM 24AUG08
 CHECK 24AUG08
 1 0025947
 2 0053916
 3 0053916
 4 SEP 82
 5 0072476
 6 1 007779A
 7 17 FEB 94
 8 203638
 9 C.S.L.
 10 3 AUG 91
 11 H 204252
 12 C.S.L.
 13 26 OCT 01
 14 U 0017057
 15 VSR
 16 23 NOV 05
 17 K 0023923
 18 2 AUG 06
 RASTER
 POSSIBLE
 DRAWN
 S L B 124 466 77



SILICONE PLUNGER SEAL SECURED TO COMPONENTS BY EXTERNAL BANDING



THIS DRAWING COVERS A PROPRIETARY ITEM AND IS THE PROPERTY OF MICRO SWITCH, A DIVISION OF HONEYWELL. THIS DRAWING IS NOT TO BE COPIED OR USED WITHOUT THE APPROVAL OF MICRO SWITCH.

CHARACTERISTICS	ELECTRICAL DATA	SCALE FULL
OPERATING FORCE ----- 15-39 OZ	CONTACT ARRANGEMENT S P D T	DO NOT SCALE PRINT
RELEASE FORCE ----- 10 OZ MIN	15A-125, 250 OR 480 VAC, 2A-600 VAC 1/8 HP-125 VAC; 1/4 HP-250 VAC 1/2A-125 VDC; 1/4A-250 VDC CODE L74	UNLESS OTHERWISE NOTED DIMENSIONS ARE IN INCHES
DIFFERENTIAL TRAVEL ----- .002 MAX	CE 1.5A, 240 Vac	TOLERANCES ARE: ONE PLACE (.01) ±.030 TWO PLACE (.005) ±.018 THREE PLACE (.0005) ±.008 ANGLES .018
OVERTRAVEL ----- .219 MIN		WEIGHT .56 LB
BASIC SWITCH REPLACEMENT ----- BZ-2RN753		

- NOTES
 1 - 6-32 UNC X .219 REF BINDING HEAD TERMINAL SCREW AND CUPWASHER (3)
 2 - FURNISHED UNASSEMBLED
 3 - TEMPERATURE RANGE -40°F TO +160°F (-40°C TO +71°C)
 4 - SEAL RATING: NEMA 1,3,4 IP66