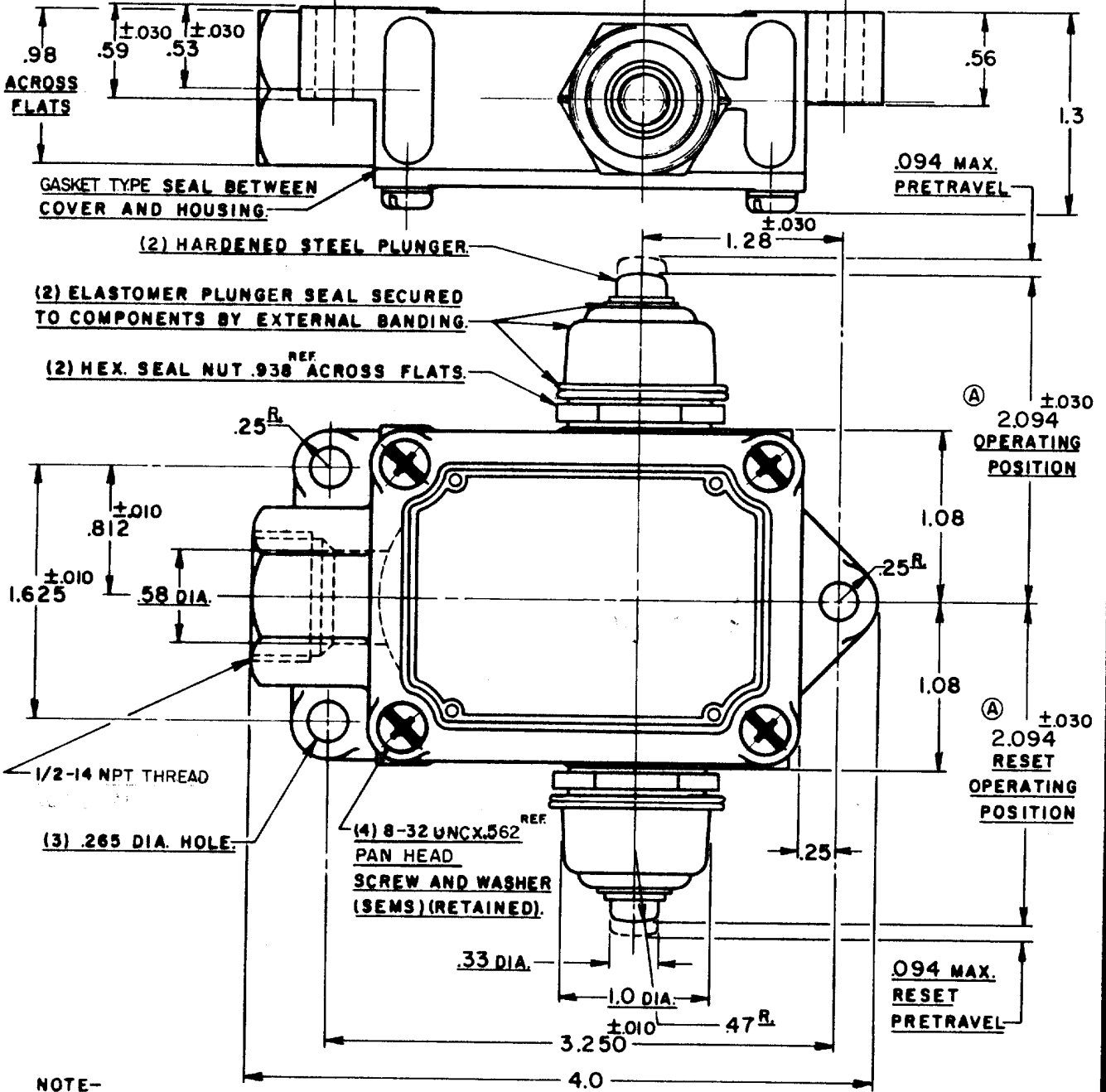


# MICRO SWITCH

A DIVISION OF AMTERRAPOLIS-HONEYWELL REGULATOR COMPANY  
 PITTSBURGH, PENNSYLVANIA  
 FED. MFR. CODE 91929

# SWITCH-ENCLOSED

CATALOG LISTING  
**BAFI-3RNXI**



BAFI-3RNXI  
 M  
 DRAWING NUMBER  
 9  
 ISSUE  
 RELEASE NO. SR 6953  
 CHECK E L 2 OCT 57  
 CHECK A G 1 OCT 57  
 CHECK A G 3 OCT 57  
 CHECK R L Z 3 OCT 57  
 CHECK K. A. F. 27 SEPT 57  
 DRAWN  
 FO-80378

CHARACTERISTICS (BOTH PLUNGERS)	
OPERATING FORCE	--- 13/4 LBS. MAX.
OVERTRAVEL	--- .219 MIN.
SWITCH-BASIC REPLACEMENT	--- BA-3RX717

ELECTRICAL DATA	
CONTACT ARRANGEMENT SINGLE POLE DOUBLE THROW MAINTAINED CONTACT	BREAK DISTANCE .036 MIN.
L224	
20A 125, 250 OR 480VAC 1HP 125VAC, 2HP 250VAC 1/2A 125VDC, 1/4A 250VDC	

SCALE-FULL	
DO NOT SCALE PRINT	
UNLESS OTHERWISE SPECIFIED	
DIMENSIONS ARE IN INCHES	
TOLERANCES ARE:	
ONE PLACE (.0)	±.030
TWO PLACE (.00)	±.015
THREE PLACE (.000)	±.008
ANGLES	±
WEIGHT	