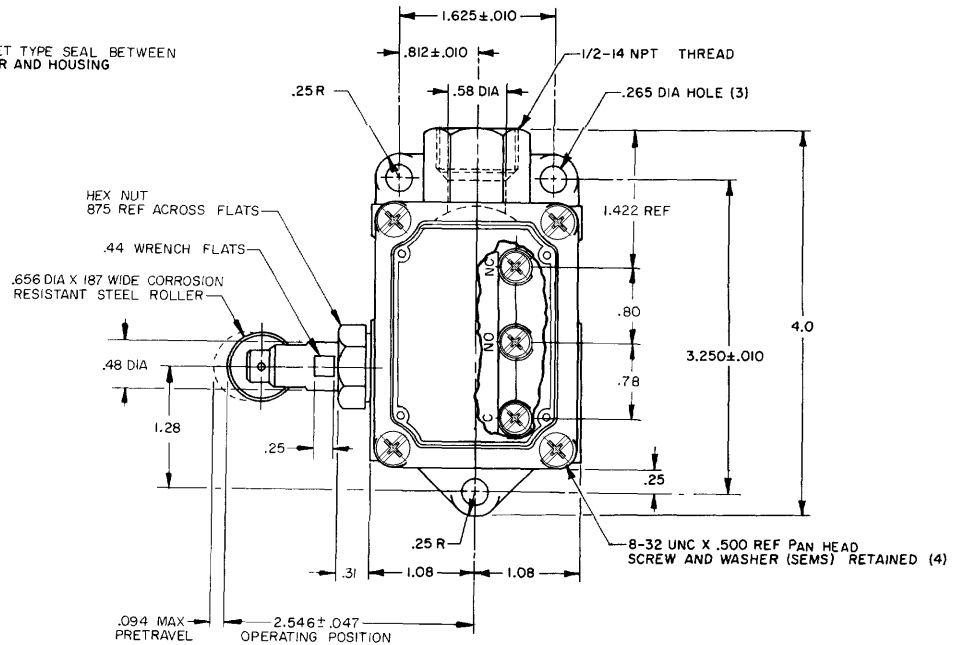
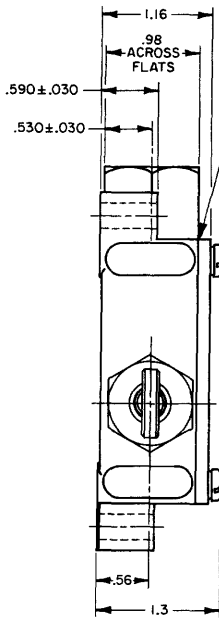


MICRO SWITCH
a Honeywell Division
FED. MFG. CODE 91929

SWITCH - ENCLOSED

CATALOG LISTING
BAFI-2RQ9-LH
(LEFT HAND)

CATALOG LISTING
BAFI-2RQ9-LH
REPLACES CO-73287 M
PAGE 1 OF 1
ISSUE **M**
17
REVISIONS
A 173027M G.W. 15 MAY 95
B 83053A G.W. 2 APR 97
C 009564 G.W. 7 JAN 00
DRAWN G.W. 15 MAY 95
CHECK J.A. 25 MAY 95
FORMTEK



THIS DRAWING COVERS A PROPRIETARY ITEM AND IS THE PROPERTY OF MICRO SWITCH, A DIVISION OF HONEYWELL. THIS DRAWING IS NOT TO BE COPIED OR USED WITHOUT THE APPROVAL OF MICRO SWITCH.

CHARACTERISTICS	ELECTRICAL DATA	THIRD ANGLE PROJECTION
OPERATING FORCE - - - - - 2 1/2 LB MAX	CONTACT ARRANGEMENT S P D T	SCALE FULL
RELEASE FORCE - - - - - 3/4 LB MIN	L23 20A 125, 250 OR 480 VAC 10A 125 VAC 1/2"	DO NOT SCALE PRINT
DIFFERENTIAL TRAVEL - - - - - .010 MAX	1HP 125 VAC, 2HP 250 VAC	UNLESS OTHERWISE SPECIFIED TOLERANCES ARE
OVERTRAVEL - - - - - .156 MIN	1/2A 125 VDC, 1/4A 250 VDC	ONE PLACE (.0) ± .030
SWITCH-BASIC REPLACEMENT - - BA-2R708-P7		TWO PLACE (.00) ± .015
		THREE PLACE (.000) ± .005
		ANGLES ±
		WEIGHT .550 LB

NOTE
1 - 8-32 UNC X (.219) BINDER HEAD, COMBINATION, TERMINAL SCREWS AND CUPWASHERS
2 - ROLLER PLUNGER ASSEMBLY MAY BE SET AT ANY POSITION AROUND AXIS OF PLUNGER