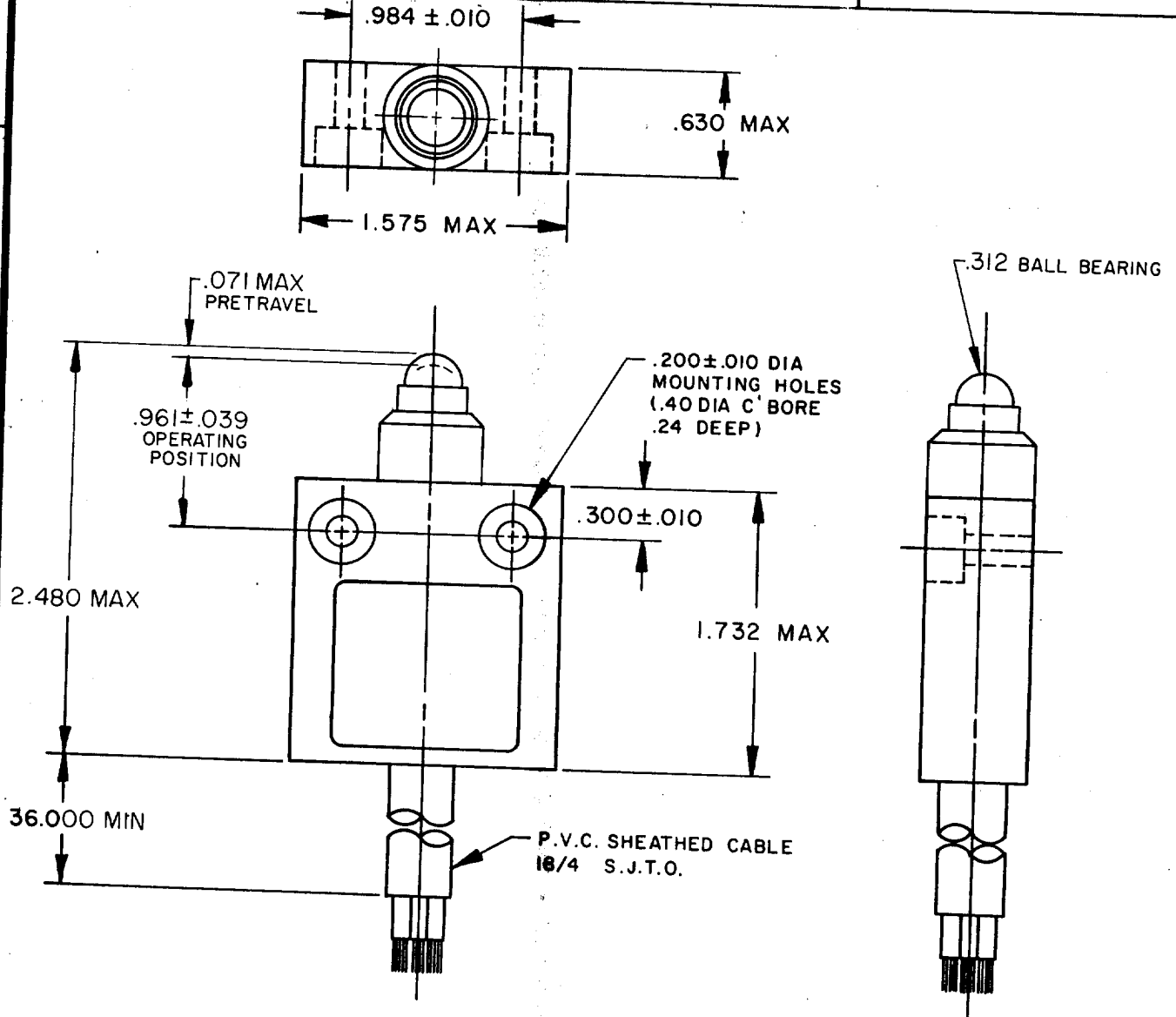


MICRO SWITCH
 FREEPORT ILLINOIS, U.S.A
 A DIVISION OF HONEYWELL
 FED. MFG. CODE 91929

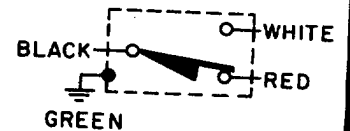
**SMALL PRECISION
 LIMIT SWITCH**

CATALOG LISTING
914CE66-3

914CE66-3
 M
 DRAWING NUMBER
 X2
 ISSUE
 CHECK
 REVISIONS
 A C069061
 15 AUG 91
 L J F
 T S K 17 APR 85 CHECK KAG 17 APR 85 CHECK
 FO-52848-A
 DRAWN
 RELEASE NO. PR-13834-T REPLACES



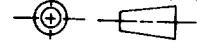
NOTE -
 1 - ZINC HOUSING FINISHED WITH GRAY PAINT



CIRCUIT DIAGRAM

THIS DRAWING COVERS A PROPRIETARY ITEM AND IS THE PROPERTY OF MICRO SWITCH. A DIVISION OF HONEYWELL. THIS DRAWING IS NOT TO BE COPIED OR USED WITHOUT THE APPROVAL OF MICRO SWITCH.

THIRD ANGLE PROJECTION



CHARACTERISTICS

OPERATING FORCE --- 2.75 LBS MAX
 RELEASE FORCE ----- 1.0 LB MIN
 DIFFERENTIAL TRAVEL----- .004 MAX
 OVERTRAVEL ----- .118 MIN

ELECTRICAL DATA

CONTACT ARRANGEMENT
 S P D T

5A-125 OR 250 VAC
 1/10 HP-125 OR 250 VAC



SCALE FULL

DO NOT SCALE PRINT

TOLERANCES
 APPLY TO DESIGN UNITS. CONVERSIONS ARE ONLY FOR REFERENCE. UNLESS NOTED, TOLERANCES ARE ±

DIM.	TOL.		DIM.	TOL.	
	mm	mm/in		in	mm/in
NO PLACES	X	1/.04	X	0.8/.03	
ONE PLACE	X,X	0.4/.016	X,X	0.38/.016	
TWO PLACES	X,X,X	0.15/.008	X,X,X	0.13/.008	
THREE PLACES	X,X,X,X		X,X,X,X		
ANGLES					

DESIGN UNITS SI METRIC US CUSTOMARY

WEIGHT