

MICRO SWITCH

FREERPORT ILLINOIS, U.S.A
 A DIVISION OF HONEYWELL INC.
 FED. MFG. CODE 91929

MINIATURE PRECISION LIMIT SWITCH

CATALOG LISTING

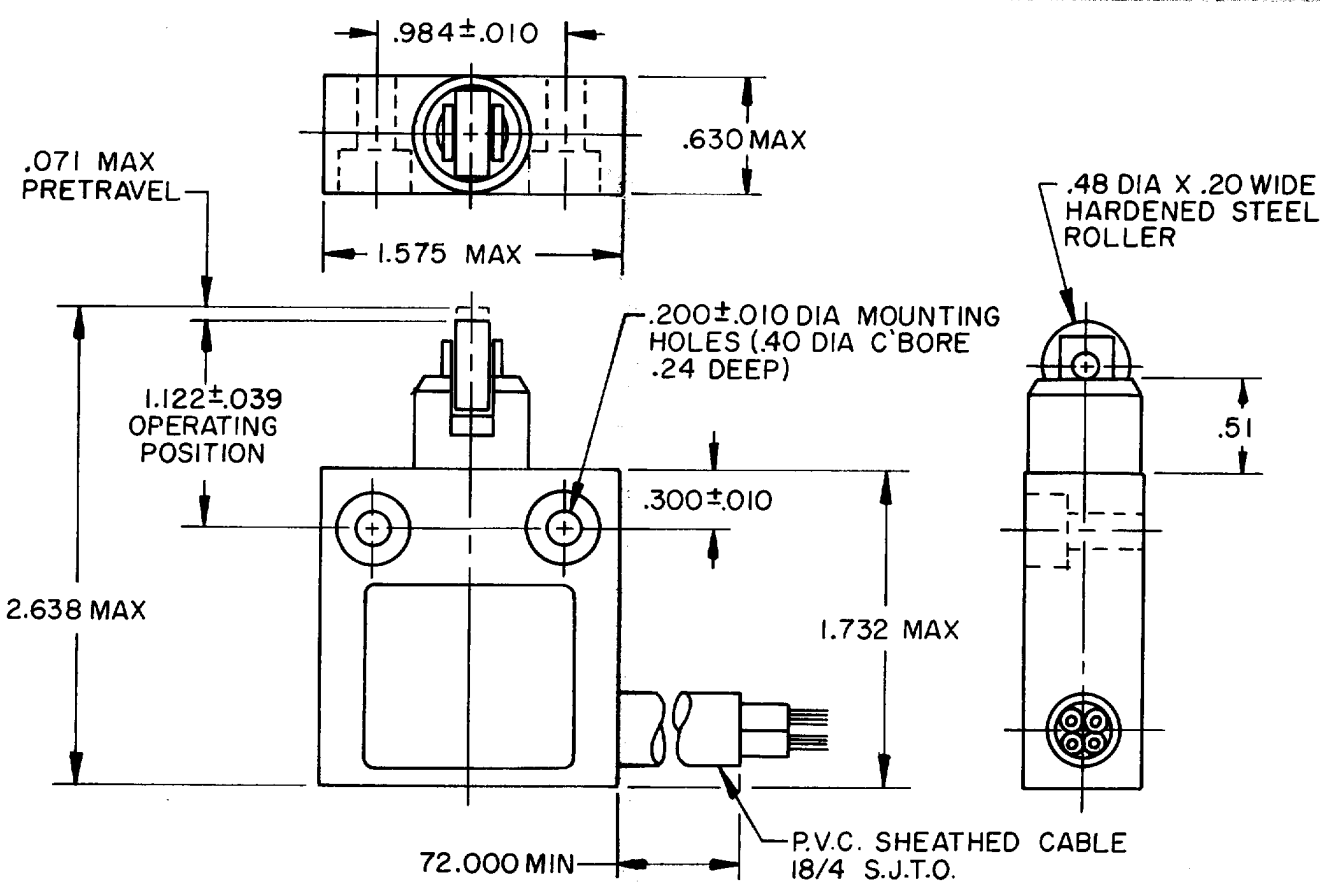
914CE3-6A

M 914CE3-6A

DRAWING NUMBER

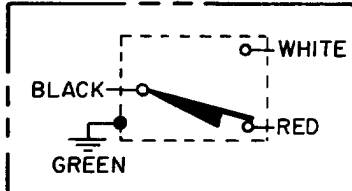
ISSUE 1

RELEASE NO. PR-17168 REPLACES



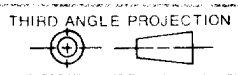
NOTES

- 1 - ZINC HOUSING FINISHED WITH GREY PAINT
- 2 - SIDE EXIT CABLE




CIRCUIT DIAGRAM

THIS DRAWING COVERS A PROPRIETARY ITEM AND IS THE PROPERTY OF MICRO SWITCH, A DIVISION OF HONEYWELL. THIS DRAWING IS NOT TO BE COPIED OR USED WITHOUT THE APPROVAL OF MICRO SWITCH.



CHARACTERISTICS	
OPERATING FORCE - - - -	2.7 LB MAX
RELEASE FORCE - - - - -	1.0 LB MIN
DIFFERENTIAL TRAVEL - - - -	.004 MAX
OVERTRAVEL - - - - -	.118 MIN

ELECTRICAL DATA	
CONTACT ARRANGEMENT S P D T	
UL LISTED - HONEYWELL LTD. FILE E 41859 5A - 250 VAC 1/10 HP-125 OR 250 VAC	
 LR-15775	

SCALE FULL	DO NOT SCALE PRINT
UNLESS OTHERWISE SPECIFIED TOLERANCES ARE	
ONE PLACE (.0)	$\pm .030$
TWO PLACE (.00)	$\pm .015$
THREE PLACE (.000)	$\pm .005$
ANGLES	\pm
RAW MATERIAL - COMMERCIAL STANDARD	
DIMENSIONS ARE IN INCHES AND ARE TO BE MET BEFORE PROTECTIVE COATINGS ARE APPLIED	
MICRO SWITCH STANDARDS APPLY	
WEIGHT	