

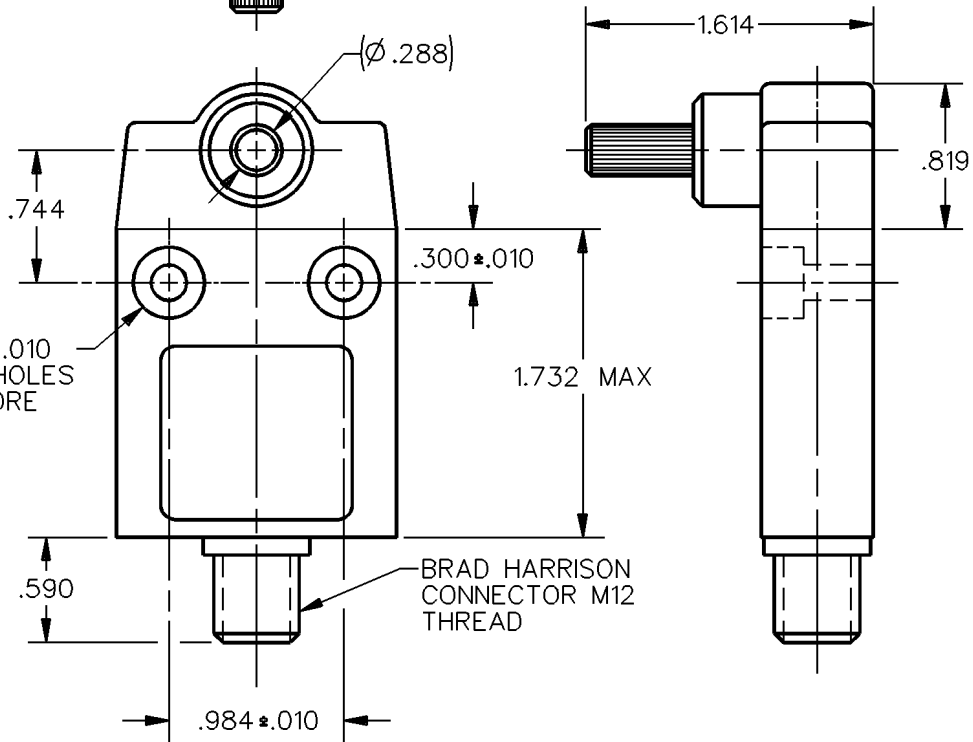
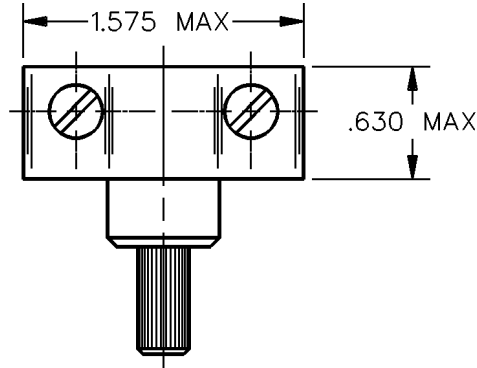
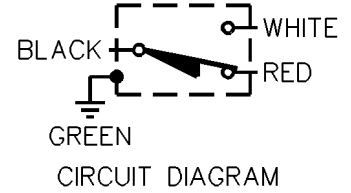
MICRO SWITCH
a Honeywell Division

FED. MFG. CODE 91929

**MINIATURE PRECISION
LIMIT SWITCH**

CATALOG LISTING

914CE16-Q

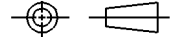


- NOTES
1 - ZINC HOUSING FINISHED WITH GRAY PAINT
2 - SWITCH WILL ACTUATE IN BOTH DIRECTIONS

ANSI Y14.5M-1982 APPLIES

THIS DRAWING COVERS A PROPRIETARY ITEM AND IS THE PROPERTY OF MICRO SWITCH, A DIVISION OF HONEYWELL. THIS DRAWING IS NOT TO BE COPIED OR USED WITHOUT THE APPROVAL OF MICRO SWITCH.

THIRD ANGLE PROJECTION



CHARACTERISTICS
OPERATING FORCE — — — 3 IN. LB MAX
RELEASE FORCE — — — 6 IN. OZ MIN
PRETRAVEL — — — — — 30° MAX
DIFFERENTIAL TRAVEL — — — 3° MAX
OVERTRAVEL — — — — — 40° MIN

ELECTRICAL DATA
CONTACT ARRANGEMENT S P D T

5A - 250 VAC
1/10HP - 125 OR 250 VAC



SCALE	FULL	DO NOT SCALE PRINT
UNLESS OTHERWISE SPECIFIED TOLERANCES ARE		
ONE PLACE	(.0)	±.030
TWO PLACE	(.00)	±.015
THREE PLACE	(.000)	±.005
ANGLES		±
WEIGHT		

914CE16-Q
M
 DRAWING NUMBER
 1
 ISSUE
 REVISIONS
 CHECK
 CHECK
 DRAWN
 S A V 29 OCT 91
 DDM/CAD

REPLACES
 RELEASE NO. CO-69061