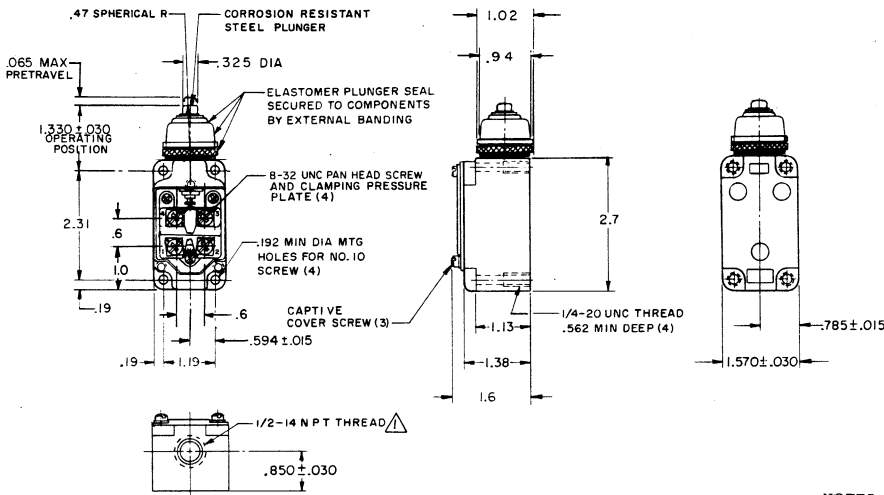
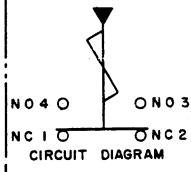


MICRO SWITCH
 A DIVISION OF MINNEAPOLIS-HONEYWELL REGULATOR COMPANY
 FEDERAL MANUFACTURING CODE 91929

SWITCH-ENCLOSED

CATALOG LISTING
2LS111



NOTES:
 ⚠ SEAL TO BE FURNISHED BY USER

THIS DRAWING COVERS A PROPRIETARY ITEM AND IS THE PROPERTY OF MICRO SWITCH, A DIVISION OF MINNEAPOLIS-HONEYWELL REGULATOR CO. THIS DRAWING IS NOT TO BE COPIED OR USED WITHOUT THE APPROVAL OF MICRO SWITCH.

CHARACTERISTICS	ELECTRICAL DATA	SCALE 1/2 TO 1
OPERATING FORCE — — — 36 OZ MAX	CONTACT ARRANGEMENT	DO NOT SCALE PRINT
RELEASE FORCE — — — 8 OZ MIN	(SEE CIRCUIT DIAGRAM)	UNLESS OTHERWISE SPECIFIED
DIFFERENTIAL TRAVEL — — .009 MAX		DIMENSIONS ARE IN INCHES
OVERTRAVEL — — — .219 MIN		TOLERANCES ARE:
RELEASE TRAVEL — — — .010 MIN		ONE PLACE (1.0) ± .030
SWITCH-BASIC REPLACEMENT — 2MN3		TWO PLACE (.001) ± .018
		THREE PLACE (.000) ± .008
		ANGLES 1
		WEIGHT

2LS111
 RELEASE NO. SR 12644
 M
 REVISIONS
 A MADE BY VDF 53
 B CO280384
 C HR 12644
 D CO28403
 E CO 25152
 F CO 25152
 G CO 25152
 H CO 25152
 I CO 25152
 J CO 25152
 K CO 25152
 L CO 25152
 M CO 25152
 N CO 25152
 O CO 25152
 P CO 25152
 Q CO 25152
 R CO 25152
 S CO 25152
 T CO 25152
 U CO 25152
 V CO 25152
 W CO 25152
 X CO 25152
 Y CO 25152
 Z CO 25152
 FOR 30235-003
 DRAWN
 M.B.F. 19 JULY 63
 CHECKED
 P.D.A. 30