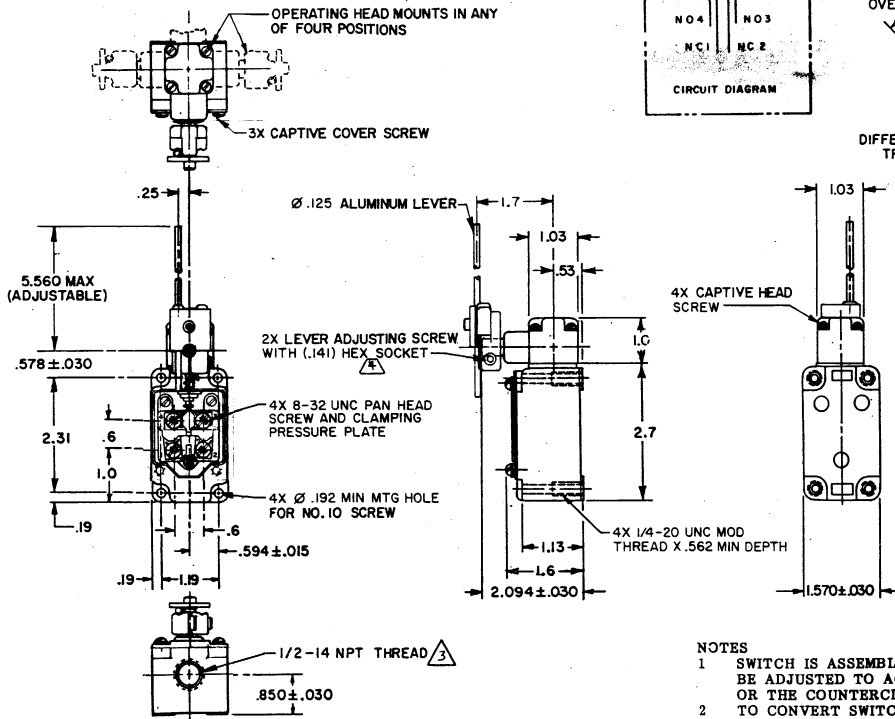
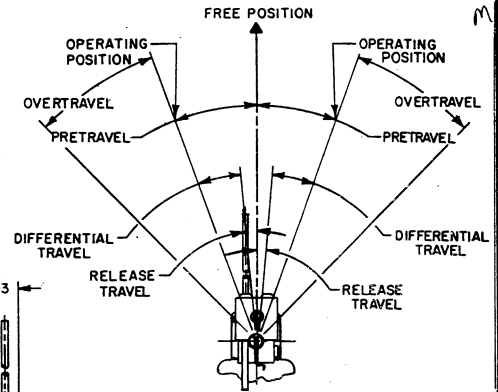
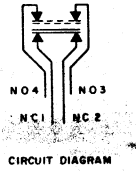


MICRO SWITCH
 FREEPORT, ILLINOIS, U.S.A.
 A DIVISION OF HONEYWELL
 FED. MFG. CODE 91992

SWITCH-ENCLOSED

CATALOG LISTING
1LS53



NOTES

- 1 SWITCH IS ASSEMBLED FOR ACTUATION IN BOTH DIRECTIONS BUT MAY BE ADJUSTED TO ACTUATE IN EITHER THE CLOCKWISE DIRECTION ONLY OR THE COUNTERCLOCKWISE DIRECTION ONLY
- 2 TO CONVERT SWITCH FOR ACTUATION IN EITHER THE CLOCKWISE OR COUNTERCLOCKWISE DIRECTION ONLY, REMOVE ACTUATOR HEAD AND ROTATE THE NOTCHED PLUNGER 90° TO THE RIGHT FOR CLOCKWISE ACTUATION OR 90° TO THE LEFT FOR COUNTERCLOCKWISE ACTUATION

- ③ SEAL TO BE FURNISHED BY USER
 ④ LEVER MAY BE LOCKED IN ANY POSITION THRU 360°
 LEVER FURNISHED UNASSEMBLED IN UNIT PACKING BOX

THIS DRAWING COVERS A PROPRIETARY ITEM AND IS THE PROPERTY OF MICRO SWITCH, A DIVISION OF MINNEAPOLIS-HONEYWELL REGULATOR CO. THIS DRAWING IS NOT TO BE COPIED OR USED WITHOUT THE APPROVAL OF MICRO SWITCH.

CHARACTERISTICS	ELECTRICAL DATA	SCALE 1/2 TO 1
OPERATING TORQUE - 10 IN-LB MAX	CONTACT ARRANGEMENT (SEE CIRCUIT DIAGRAM)	DO NOT SCALE PRINT
FULL OVERTRAVEL TORQUE - 1.4 IN-LB MAX		UNLESS OTHERWISE NOTED
RELEASE TORQUE - .18 IN-LB MIN	15A - 120, 240 OR 480 VAC	DIMENSIONS ARE IN INCHES
PRETRAVEL - 5° MAX	1/4 HP - 120 VAC; 1/2 HP - 240 VAC	
	PILOT DUTY: 600 VAC MAX	
OVERTRAVEL - 30° MIN		TOLERANCES ARE:
RELEASE TRAVEL - 1/2 MIN		ONE PLACE (.01) 0.030
SWITCH-BASIC REPLACEMENT - 2MNB		TWO PLACE (.005) 0.010
		THREE PLACE (.0005) 0.005
		ANGLES 2
		WEIGHT

ANSI Y14.5M - 1982 APPLIES

1LS53
 M
 ISSUE 15
 REVISIONS
 17703
 13 B
 22 DEC 92
 DRAWN BY SA SAN 24
 CHECKED BY SA SAN 24
 JAN 94
 J. D. BLOG
 POWER-A
 DRAWN