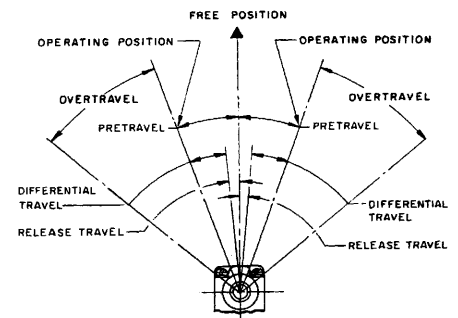
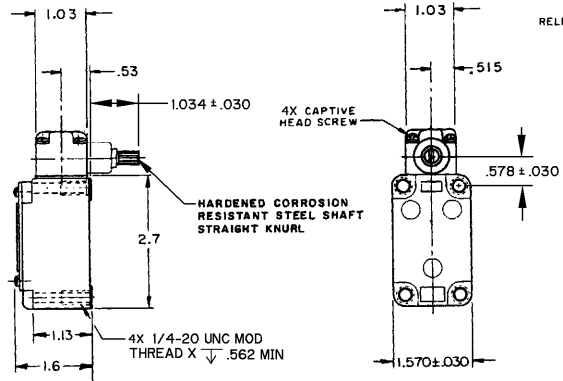
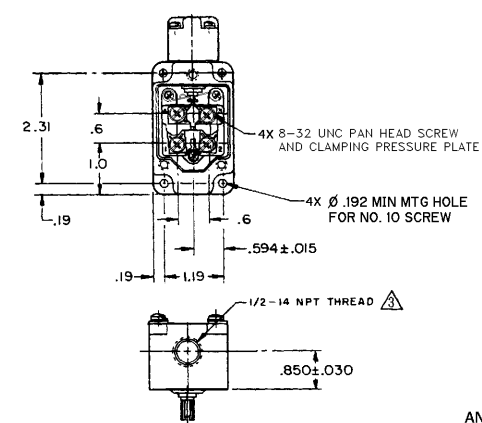
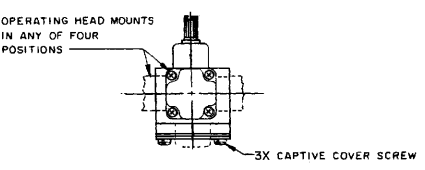
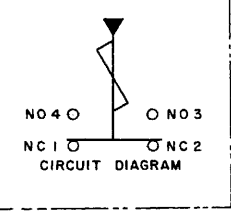


FORMTEK
 DRAWN: G J W
 CHECK: J A F
 DATE: 13 JUL 99
 RELEASE: 23 JUL 99
 REVISIONS: A PR2428 RELEASE 23 JUL 99
 CHECK: J A F
 DATE: 13 JUL 99
 ISSUE: 2
 M
 PAGE 1 OF 1
 PR-24212
 RELEASE NO.

MICRO SWITCH
a Honeywell Division
FED. MFG. CODE 91929

SWITCH-ENCLOSED

CATALOG LISTING
1LS29-L



ANSI Y14.5M-1982 APPLIES

THIS DRAWING COVERS A PROPRIETARY ITEM AND IS THE PROPERTY OF MICRO SWITCH, A DIVISION OF HONEYWELL. THIS DRAWING IS NOT TO BE COPIED OR USED WITHOUT THE APPROVAL OF MICRO SWITCH.		THIRD ANGLE PROJECTION
CHARACTERISTICS	ELECTRICAL DATA	SCALE: 1/2 : 1
OPERATING TORQUE --- 4 1/2 IN LB MAX	CONTACT ARRANGEMENT (SEE CIRCUIT DIAGRAM)	DO NOT SCALE PRINT
FULL OVERTRAVEL TORQUE --- 6 IN LB MAX	L127	UNLESS OTHERWISE SPECIFIED TOLERANCES ARE
RELEASE TORQUE --- 3/4 IN LB MIN	10A 125, 250 OR 480 VAC	ONE PLACE (.01) ± .030
PRETRAVEL --- 5° MAX	1/4HP 125 VAC, 1/2HP 250 VAC	TWO PLACE (.00) ± .015
OVERTRAVEL --- 30° MIN		THREE PLACE (.000) ± .005
RELEASE TRAVEL --- 0°30' MIN		ANGLES ±
SWITCH-BASIC REPLACEMENT --- 2MNS-L		WEIGHT

- NOTES**
- SWITCH IS ASSEMBLED FOR ACTUATION IN EITHER DIRECTION BUT MAY BE ADJUSTED TO ACTUATE THE SWITCH IN THE CLOCKWISE DIRECTION ONLY, THE COUNTERCLOCKWISE DIRECTION ONLY, OR IN BOTH DIRECTIONS
 - TO CONVERT SWITCH FOR ACTUATION IN EITHER THE CLOCKWISE OR COUNTERCLOCKWISE DIRECTION ONLY, REMOVE ACTUATOR HEAD AND ROTATE THE NOTCHED PLUNGER 90° TO THE RIGHT FOR CLOCKWISE ACTUATION OR 90° TO THE LEFT FOR COUNTERCLOCKWISE ACTUATION
- SEAL TO BE FURNISHED BY USER

