

MICRO SWITCH
 FREEPORT ILLINOIS U.S.A.
 A DIVISION OF HONEYWELL
 FED. WFG. CODE 9192B

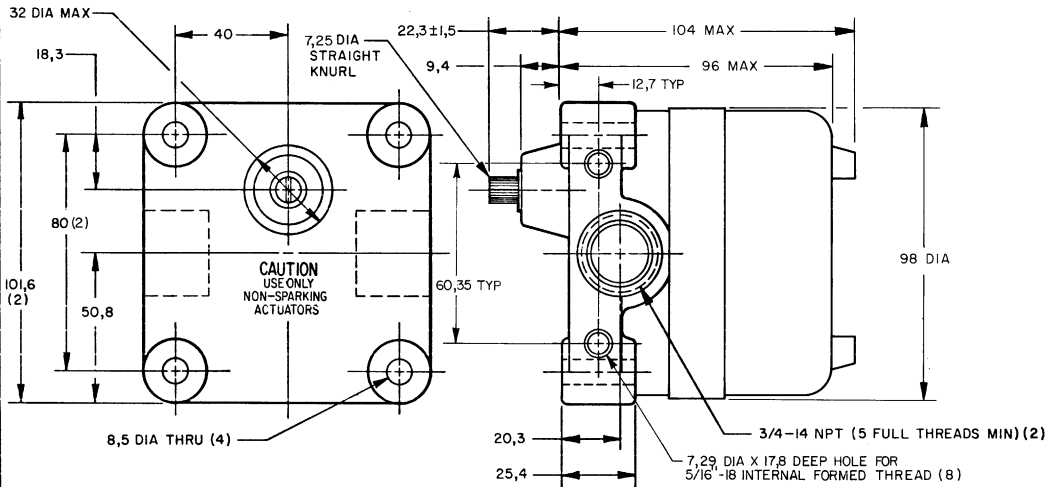
SWITCH-ENCLOSED

CATALOG LISTING
11CX12CX
SERIES CHT 2

CONVERSION CHART

7,25	.285
7,29	.287
8,5	.33
9,4	.37
12,7	.50
17,8	.70
18,3	.72
20,3	.80
22,3±1,5	.880±.059
25,4	1.00
32,0	1.26
40,0	1.57
50,8	2.00
60,35	2.38
80,0	3.15
96,0	3.78
98,0	3.86
101,6	4.00
104,0	4.09
0,50 Nm	.369 PF
1,13 Kg	2.49 LB

11CX12CX SERIES CHT 2
 DRAWING NUMBER
 M
 ISSUE 10
 11



CAUTION
 USE ONLY
 NON-SPARKING
 ACTUATORS

- NOTES**
- EXPLOSION PROOF-UNDERWRITERS LAB INC LISTING FOR HAZARDOUS LOCATIONS CLASS I, GROUPS C AND D; CLASS II, GROUPS E, F AND G
 - ALUMINUM ENCLOSURE FINISHED WITH BLUE AND BLACK EPOXY PAINT
 - 6-32 UNC X 7,92 REF PAN HEAD TERMINAL SCREW AND LOCK-WASHER (SEMS TERMI-LOX) (3 PER BASIC)
 - CAMS MAY BE REPOSITIONED IN 7°20' INCREMENTS
 - FOR USE IN TEMPERATURES UP TO 85° C
 - UNIT PROVIDES NO SHAFT RESTORING FORCE, THE ACTUATING DEVICE MUST CONTROL MOVEMENT OF SHAFT
 - SEE (M) 7CX CHARTS 1 AND 2 FOR LEVER ACTUATORS

REVISIONS
 A PR22373
 30 AUG 96
 B 50491
 2 FEB 98
 C 95297
 6 JUL 99
 DRAWN
 J. A. L. 31 AUG 77
 FORMTEK

CAT. LIST	DESCRIPTION	ELECTRICAL DATA
①	1 BASIC; OPERATES CLOCKWISE & COUNTER CLOCKWISE	UL LISTED-FILE E14274 CODE L96 15A-125, 250 OR 480 VAC 1/8 HP-125 VAC; 1/4 HP-250 VAC 1/2 A-125 VDC; 1/4 A-250 VDC
11CX12-	2 BASICS; EACH OPERATES CLOCKWISE & COUNTER CLOCKWISE	②
11CX12C	2 BASICS; EACH OPERATES CLOCKWISE & COUNTER CLOCKWISE	
11CX15-	2 BASICS; 1 OPERATES CLOCKWISE ONLY; 1 OPERATES COUNTER CLOCKWISE ONLY	③
12CX11-	1 BASIC; OPERATES CLOCKWISE & COUNTER CLOCKWISE	
12CX12-	2 BASICS; EACH OPERATES CLOCKWISE & COUNTER CLOCKWISE	
12CX15-	2 BASICS; 1 OPERATES CLOCKWISE ONLY; 1 OPERATES COUNTER CLOCKWISE ONLY	UL LISTED-FILE E14274 CODE L23 20A-125, 250 OR 480 VAC 10A-125 VAC "L" 1HP-125 VAC; 2HP-250 VAC 1/2A-125 VDC; 1/4A-250 VDC

CHARACTERISTICS	11CX	12CX	CONTACT ARRANGEMENT S P D T (EACH BASIC)	
OPERATING FORCE	0,50 Nm MAX	0,50 Nm MAX	<input type="checkbox"/> NO PLACES <input type="checkbox"/> ONE PLACES <input type="checkbox"/> THREE PLACES <input type="checkbox"/> ANGLES	
PRETRAVEL	15° MAX	15° MAX		<input type="checkbox"/> DESIGN UNITS <input type="checkbox"/> US CUSTOMARY
DIFFERENTIAL TRAVEL	10° MAX	10° MAX		<input type="checkbox"/> RAW MATERIAL-COMMERCIAL STANDARD <input type="checkbox"/> MICRO SWITCH STANDARD APPLY
OVERTRAVEL	90° MIN	90° MIN	<input type="checkbox"/> DIMENSIONS ARE TO BE MET BEFORE PROTECTIVE COATINGS ARE APPLIED WEIGHT 1,13 Kg APPROX	