

PID TEMPERATURE CONTROLLERS

PID330 1/4DIN (96X96) PID CONTROLLER



- Dual display of set point and process value
- On demand autotuning of PID parameters
- Programmable thermocouple, PT100, mV, 0-10V or 0-20mA inputs
- Up to 3 relay or SSR outputs (mV/mA available)
- 1 or 2 on/off or PID control outputs + alarm
- Single point ramp-soak algorithm
- Sensor break detection & error compensation

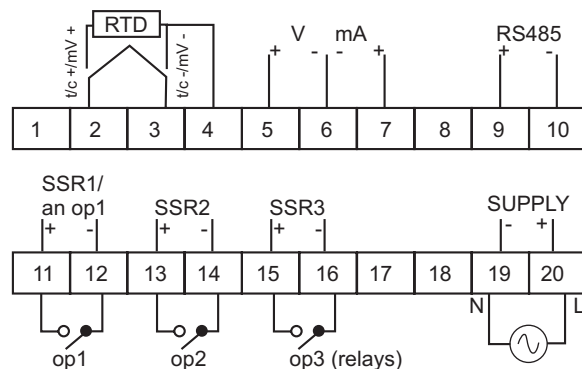
The PID330 is a sophisticated autotuning PID controller housed in a 96 x 96mm 1/4 DIN case. It has selectable thermocouple, RTD or analogue inputs and up to three outputs. Versions are available with relay, SSR, and analogue outputs. The controller can be configured as 1 on/off or PID control and up to 2 alarm outputs, or as 2 on/off or PID controls (heat/cool) plus 1 alarm output. It has a large dual 4 digit LED display to show the set point and the process value and is suitable for use with power supplies of 85 to 270 Vac/dc or 24Vac/dc.

SPECIFICATION

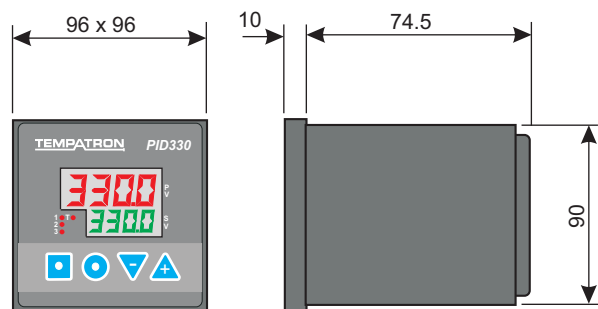
Supply voltage:	24Vac/dc 85-270Vac/dc, 50/60 Hz
Inputs :	J, K, T, R, S, C, E, B, N, U, W and Platinel thermocouples, PT100 2/3 wire, -5 to 56mV, 0 to 10V, 0 to 20mA
Sensor range:	J -200 to 750°C K -200 to 1350°C T -200 to 400°C R 0 to 1750°C S 0 to 1750°C C 0 to 2300°C E -200 to 750°C B 149 to 1820°C N -200 to 1300°C L -200 to 900°C U -200 to 400°C W 0 to 2300°C Platinel II 0 to 1390°C PT100 -100 to 850°C
Outputs 1-3:	5A @ 240Vac NO relay or 18Vdc 20mA SSR drive
Output 1: (option)	Optional 0/ 4-20mA, 0-10V or 0-5V Update rate 100msec Max load resistance 500 ohm

Control action:	PID (autotune) or on/off forward or reverse action.
outputs 1&2	Absolute or deviation alarm
outputs 2&3	
Accuracy:	Greater of +/-0.25% FS or +/- 1°C
Resolution:	1/0.1°C for thermocouples/RTDs 1/0.1/0.01/0.001 for analogue I/P
Approvals:	Conforms to CE generic standards EN50081-1 and EN50082-1 for emc and EN61010-1 for low voltage
Ambient range:	0 to 50°C, 85% RH non-condensing
Weight:	270gms

CONNECTION DIAGRAM



DIMENSIONS



Panel cut-out: 92 x 92mm

Part Numbering Options : PID330M A - B - C - D

Option	Description	Input	Output
A	Power supply	24Vac/dc 85/270 Vac/dc	L H
B	Output 1	Relay SSR drive 4 to 20mA 0 to 10V 0 to 5V 0 to 20mA	0 1 2 3 4 5
C	Output 2	Relay SSR drive	0 1
D	Output 3	None Relay SSR drive	00 01 02

STANDARD ITEMS

Voltage	OP1	OP2	OP3	Part Number
24Vac/dc	Relay	Relay	-	PID330ML-0000
24Vac/dc	SSR	SSR	-	PID330ML-1100
85-270Vac/dc	Relay	Relay	-	PID330MH-0000
85-270Vac/dc	SSR	SSR	-	PID330MH-1100