

DIGITAL TEMPERATURE CONTROLLERS

DTC410 ON/OFF TEMPERATURE CONTROLLER



- 4 programmable thermocouple inputs
- PT100 & 4-20mA inputs
- 10 programmable alarm options
- Direct or reverse action
- Programmable set-point limits

The DTC410 range of on/off temperature controllers are designed to offer the programmable functionality of modern PID controllers but at a price suited to on/off applications. The clear LCD display and 2-button programming gives an easy to use set-up procedure. Message displays also provide a clear indication of alarms or error status.

SPECIFICATION

Supply voltage: 24Vac/dc @ 60mA max.
110Vac, 50/60 Hz @ 1.5VA max.
220-240Vac, 50/60 Hz @ 1.5VA max

Sensor options: J, K, T, N T/couples, PT100, 4-20mA

Scale ranges: J T/c = -99 to 700°C (999°F)
T T/c = -99 to 300°C (570°F)
K/N T/c = -99 to 999°C or F
PT100 = -99 to 400°C (700°F)
4-20mA = scalable -99 to 999 units

Gain accuracy: T/c = +/- 0.25% of scale range
Others = +/- 0.6% of scale range

Offset accuracy: T/c = +/- 5°C, PT100 = +/- 2°C

Outputs: Control: 3A @ 240Vac, SPCO relay
Alarm: 0.5A @ 120Vac, SPNO relay

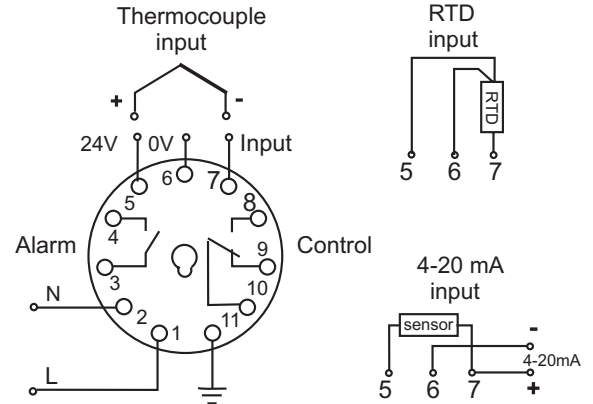
Approvals: Conforms to CE generic standards
EN50081-1 and EN50082-1 for emc
and EN61010-1 for low voltage

Ambient range: -10 to 50°C non-condensing

Memory back-up: Lithium battery with 10 years
operating life

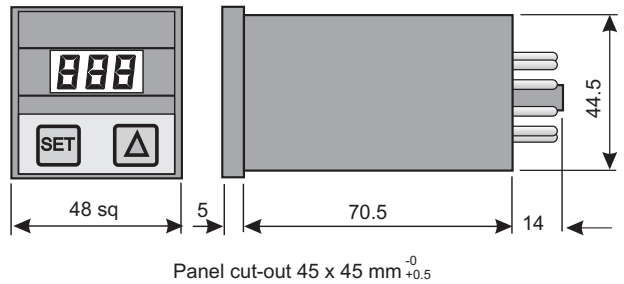
Weight: 205gms

CONNECTION DIAGRAM



Note : When pin 11 and the sensor are both earthed, the DTC410 will display OPN and will not operate correctly. For 24V models use an isolated or non-earthed sensor.

DIMENSIONS



STANDARD ITEMS

Input	Voltage	Part Number
Thermocouple	24Vac/dc	DTC410-01-24
	110Vac	DTC410-01-110
	230Vac	DTC410-01-230
PT100	24Vac/dc	DTC410-02-24
	110Vac	DTC410-02-110
	230Vac	DTC410-02-230
4-20 mA	24Vac/dc	DTC410-03-24
	110Vac	DTC410-03-110
	230Vac	DTC410-03-230
Wiring socket - panel mount		AZ511
Wiring socket - DIN rail mount		AZ611

For details of suitable input sensors or our matching UDT series timer please contact our sales office.