

179-870 ✓

EBERLE

Relays...Temperature Controls...Systems
for domestic and industrial automation

**Made in
W.-Germany**

EUROPA G SERIES 6000

Elegance · Accuracy
Simplicity · Reliability

“S” for safe, solid!

Switching differential about 0.5 K

Electrical standards:

Complies with the conditions of VDE 0631. The draft standard IEC 72.5 and CEE publication 28 were also taken into account

“S” for supereasy!

No problem!

The energy-saving room temperature (20 °C) is marked by a red point.
Any setting of the pointer differing from this energy-saving point can be seen from a distance.

“S” for super-convenient!

4 fixing holes:

Fitting is no problem, even with difficult positions of junction boxes

Keyhole Fixing

The screws can therefore be fitted into the junction box before mounting the controller. The controller can be 'lined up'

Protecting Barriers around the keyholes prevent the screw-driver from slipping off into the equipment.

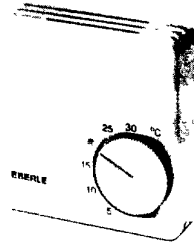
Simple invisible fixing of lid with captive screw.

No separate earth wire connection required, as double insulation is provided

Easy cable connection

by high terminals and ample space in the terminals.

2 wires per terminal possible (looping in and out).



Technical Data

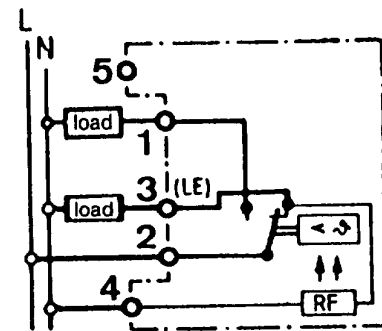
Type	RTR 6721
Full ref. number white housing	17225 6721100
Temperature range	5 to 30 °C
Operating voltage	220 V 50 Hz
Switching current at 250 V AC	heating 10 (4) A cooling 5 (2) A
Switching load	heating 2,2 kW cooling 1,1 kW
Contact changeover	○
Switching differential	approx 0.5 k
Acceleration	○
Range stops	○
Housing protection to DIN 40 050	IP30
Housing class plastic	double insulated
Switches	number — function —

Interference suppression complies with the requirements of EEC Guideline 82-499-EWG or VDE Regulation 0875

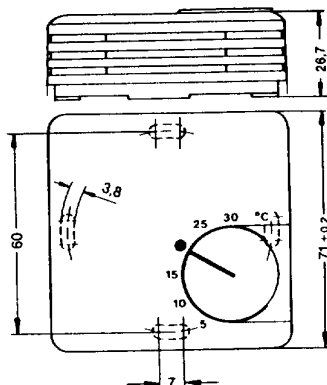
Mounting direct onto conduit box or wall mounting

Wiring diagrams

Typ 6721



Dimensions



Pattress

007 700 637 000

