

Form 491-100913

Description

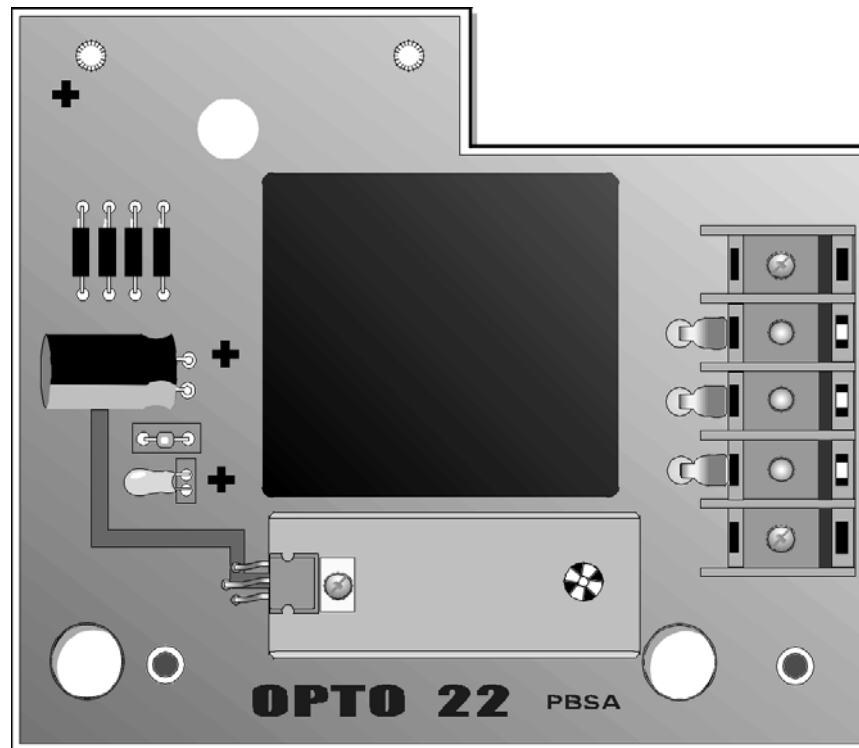
The PBSA, PBSB, and PBSC are 5 VDC power supplies, designed to work with an Optomux B1 or a *mistic* B100 brain board. Each model is sized appropriately to provide power for the brain board as well as logic power for 16 digital I/O modules.

The PBSC can also be used with a Pamux B5 brain board and is sized to provide power for the brain, 16 modules, and a Term1 Pamux bus terminator.

The power supply mounts directly to the appropriate digital I/O mounting rack. Two screws make the electrical connection to threaded contacts on the mounting rack. The brain board mounts directly above (on top of) the power supply.

NOTE: These power supplies are designed to be used only with the Opto 22 brain boards and mounting racks listed in the specifications table. If you need to bench test the power supply or check the voltage, you will need to connect the power supply to the appropriate rack and brain board because it requires a load to regulate the voltage. No-load readings will not be accurate.

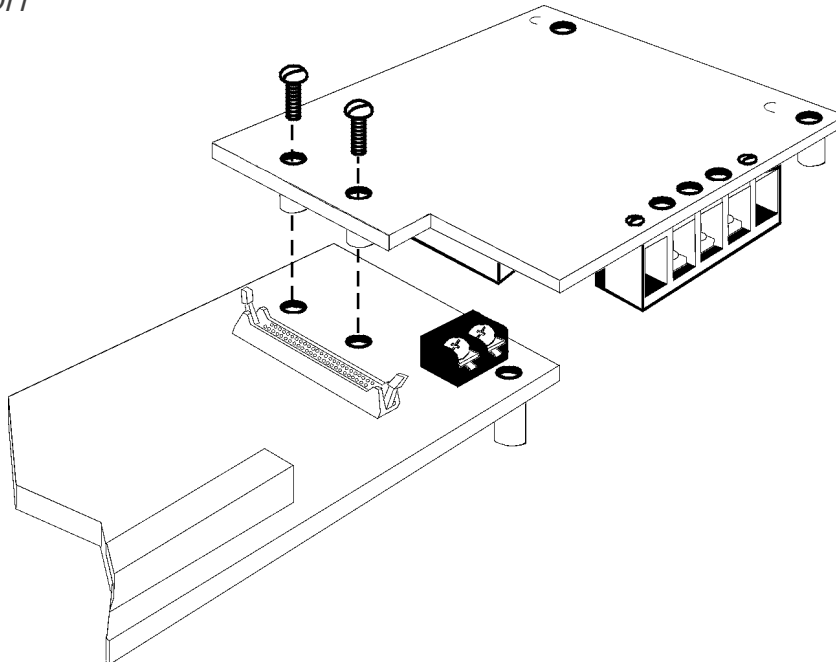
Part Numbers	Description
PBSA	5 VDC Power Supply that runs on 120 VAC
PBSB	5 VDC Power Supply that runs on 220 VAC
PBSC	5 VDC Power Supply that runs on 12/24 VDC



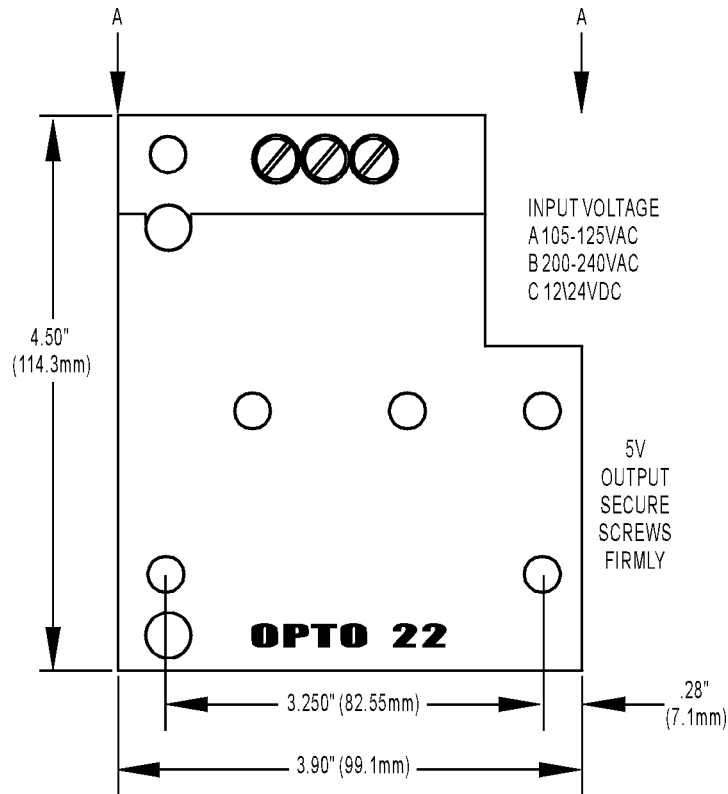
Specifications

Model	PBSA	PBSB	PBSC
Input Range	105–125 VAC	200–240 VAC	10–28 VDC
Output Voltage	5 VDC	5 VDC	5 VDC
Output Current	0.5 amps	0.5 amps	1.5 amps
Operating Temperature	-25° to 65° C	-25° to 65° C	-25° to 65° C
Isolation Breakdown Voltage	2,500 VAC	2,500 VAC	500 VAC
Power Dissipation	3–9 Watts	3–9 Watts	3–10 Watts
Humidity (non-condensing)	0–95%	0–95%	0–95%
Compatible Brain Boards	B1 and B100	B1 and B100	B1, B5, and B100
Compatible digital I/O mounting racks (All 3 power supplies are compatible with these racks)	Standard: PB4H, PB8H, PB16H, PB16HC Quad Pak: PB16HQ G4: G4PB8H, G4PB16H, G4PB16HC		

Installation



Dimensions



More About Opto 22

Products

Opto 22 develops and manufactures reliable, flexible, easy-to-use hardware and software products for industrial automation, remote monitoring, and data acquisition applications.

SNAP PAC System

Designed to simplify the typically complex process of understanding, selecting, buying, and applying an automation system, the SNAP PAC System consists of four integrated components:

- SNAP PAC controllers
- PAC Project™ Software Suite
- SNAP PAC brains
- SNAP I/O™

SNAP PAC Controllers

Programmable automation controllers (PACs) are multifunctional, multidomain, modular controllers based on open standards and providing an integrated development environment.

Opto 22 has been manufacturing PACs for many years. The latest models include the standalone SNAP PAC S-series and the rack-mounted SNAP PAC R-series. Both handle a wide range of digital, analog, and serial functions and are equally suited to data collection, remote monitoring, process control, and discrete and hybrid manufacturing.

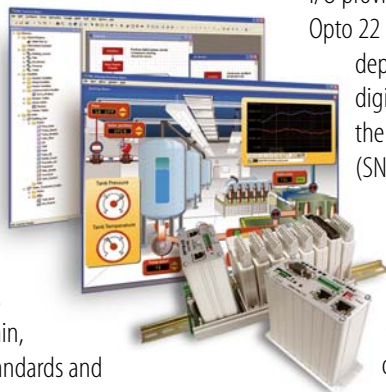
SNAP PACs are based on open Ethernet and Internet Protocol (IP) standards, so you can build or extend a system without the expense and limitations of proprietary networks and protocols.

PAC Project Software Suite

Opto 22's PAC Project Software Suite provides full-featured and cost-effective control programming, HMI (human machine interface) development and runtime, OPC server, and database connectivity software to power your SNAP PAC System.

These fully integrated software applications share a single tagname database, so the data points you configure in PAC Control™ are immediately available for use in PAC Display™, OptoOPCServer™, and OptoDataLink™. Commands are in plain English; variables and I/O point names are fully descriptive.

PAC Project Basic offers control and HMI tools and is free for download on our website, www.opto22.com. PAC Project Professional, available for separate purchase, adds OptoOPCServer, OptoDataLink, options for Ethernet link redundancy or segmented networking, and support for legacy Opto 22 serial *mistic*™ I/O units.



SNAP PAC Brains

While SNAP PAC controllers provide central control and data distribution, SNAP PAC brains provide distributed intelligence for I/O processing and communications. Brains offer analog, digital, and serial functions, including thermocouple linearization; PID loop control; and optional high-speed digital counting (up to 20 kHz), quadrature counting, TPO, and pulse generation and measurement.

SNAP I/O

I/O provides the local connection to sensors and equipment. Opto 22 SNAP I/O offers 1 to 32 points of reliable I/O per module, depending on the type of module and your needs. Analog, digital, serial, and special-purpose modules are all mixed on the same mounting rack and controlled by the same processor (SNAP PAC brain or rack-mounted controller).

Quality

Founded in 1974 and with over 85 million devices sold, Opto 22 has established a worldwide reputation for high-quality products. All are made in the U.S.A. at our manufacturing facility in Temecula, California. Because we do no statistical testing and each part is tested twice before leaving our factory, we can guarantee most solid-state relays and optically isolated I/O modules for life.

Free Product Support

Opto 22's Product Support Group offers free, comprehensive technical support for Opto 22 products. Our staff of support engineers represents decades of training and experience. Product support is available in English and Spanish, by phone or email, Monday through Friday, 7 a.m. to 5 p.m. PST.

Free Customer Training

Hands-on training classes for the SNAP PAC System are offered at our headquarters in Temecula, California. Each student has his or her own learning station; classes are limited to nine students. Registration for the free training class is on a first-come, first-served basis. See our website, www.opto22.com, for more information or email training@opto22.com.

Purchasing Opto 22 Products

Opto 22 products are sold directly and through a worldwide network of distributors, partners, and system integrators. For more information, contact Opto 22 headquarters at 800-321-6786 or 951-695-3000, or visit our website at www.opto22.com.

www.opto22.com