

T Rotary Switches, P Switch-Disconnectors

Main Switches, Maintenance Switches

Rotary Switches
Switch-Disconnectors

Circuit diagram	Front plate no.	Main contacts	Auxiliary contacts	Max. three-phase motor rating (per set of 3 contacts) 50 – 60 Hz			Rated uninter-rupted current I _u	For use as -> Flush mounting Front IP 65	Basic type For ... insert mounting form	Mounting form Article no.	Price See Price List
				No. of poles	AC-3 220 V 380 V 660 V 230 V 400 V 690 V 240 V 440 V	kW					
	FS 908	M	M B				A				
Main switches											
		1	0 0	1	1.3	-	20	T0-1-8200/...	EA/SVB 053110		
				1.8	3.6	-	32	T3-1-8200/...	EA/SVB 066576		
				5	7.3	-	63	T5B-1-8200/...	EA/SVB 094279		
				7.3	12.3	-	100	T5-1-8200/...	EA/SVB 097224		
		2	0 0	2.2	2.2	-	20	T0-1-102/...	EA/SVB 091078		
				3	5.5	-	32	T3-1-102/...	EA/SVB 014374		
				7.5	11	-	63	T5B-1-102/...	EA/SVB 094469		
				11	18.5	-	100	T5-1-102/...	EA/SVB 098808		
		3	0 0	3	4	4	20	T0-2-1/...	EA/SVB 038873		
				5.5	7.5	7.5	25	P1-25/...	EA/SVB 041097		
				7.5	13	15	32	P1-32/...	EA/SVB 081438		
				15	30	30	63	P3-63/...	EA/SVB 031607		
				22	37	37	100	P3-100/...	EA/SVB 074320		
				22	37	22	125	T6-2/...	EA/SVB 012679		
		3+N	0 0	3	4	4	20	T0-2-8900/...	EA/SVB 207400		
				5.5	7.5	7.5	25	P1-25/...	EA/SVB/N 081587		
				7.5	13	15	32	P1-32/...	EA/SVB/N 091079		
				15	30	30	63	P3-63/...	EA/SVB/N 010398		
				22	37	37	100	P3-100/...	EA/SVB/N 019890		
		6	0 0	3	4	4	20	T0-3-8342/...	EA/SVB 029382		
				6.5	12	15	32	T3-3-8342/...	EA/SVB 071326		
				15	22	22	63	T5B-3-8342/...	EA/SVB 092308		
				18.5	30	30	100	T5-3-8342/...	EA/SVB 096383		
		8	0 0	3	4	4	20	T0-4-8344/...	EA/SVB 008267		
				6.5	12	15	32	T3-4-8344/...	EA/SVB 008964		
				15	22	22	63	T5B-4-8344/...	EA/SVB 092062		
				22	30	30	100	T5-4-8344/...	EA/SVB 095961		

T Rotary Switches, P Switch-Disconnectors Front Plates

Rotary Switches
Switch-Disconnectors

Switch size	Dimensions mm	Standard front plates		Emergency-Stop front plates Yellow		Blank plates Can be engraved on rear	
		Type Article no. State front plate no. required	Price See Price List	Type Article no.	Price See Price List	Type Article no.	Price See Price List
T0, T3, P1	45 × 45 (frame size 48 × 48)	FS...-T0 903197		FS 908 GE-T0 003198		FS 980-T0 003199	
P3, T5, T5B	84 × 84 (frame size 88 × 88)	FS...-P3 995545		FS 908 GE-P3 031475		FS 980-P3 043340	
TM	29 × 29 (frame size 30 × 30)	-		-		FS 980-TM-E 071438 FS 980-TM-EZ 073811	

Standard front plates

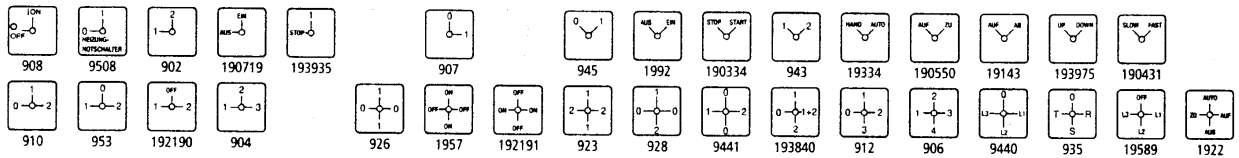
Silver-coloured with black lettering

Standard pack: 1 off

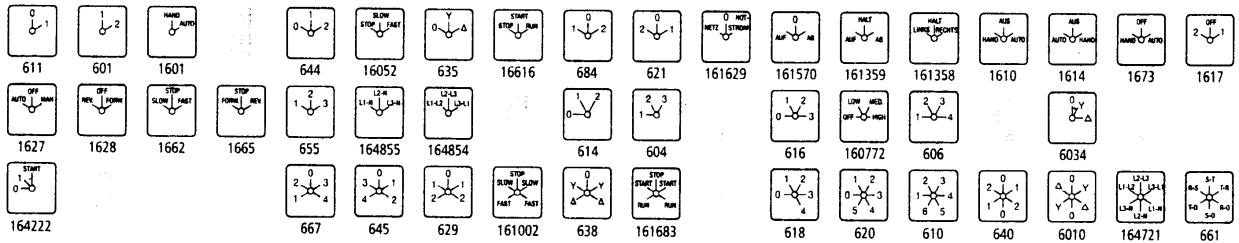
The standard front plates illustrated should be used for non-standard switches where possible. Standard catalogue front plates for standard switches can be exchanged on request with order, for those illustrated here, at no extra charge (not applicable to T6, T8 and TM), provided the switching angles, the number of switch positions, and the location of the 0 position match.

Example: T0-1-8210/E+FS161570

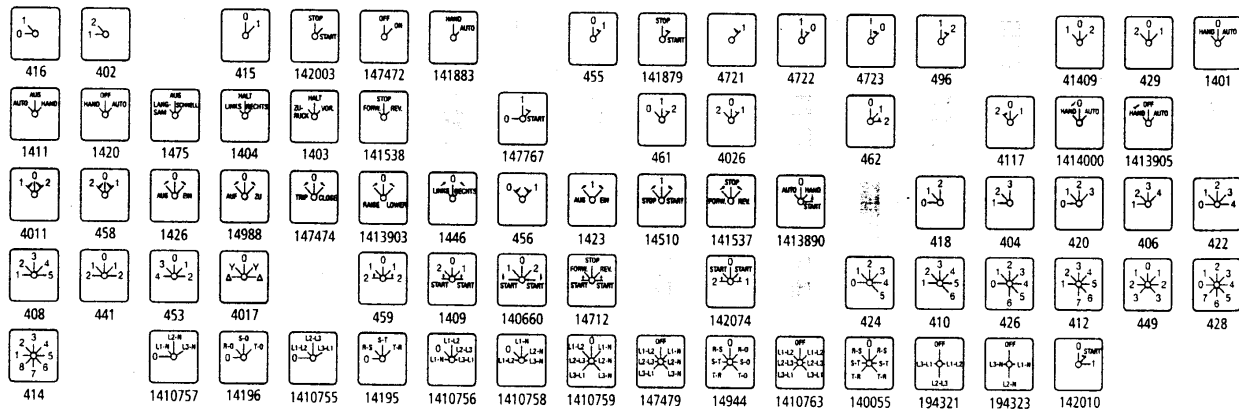
Switching angle 90°



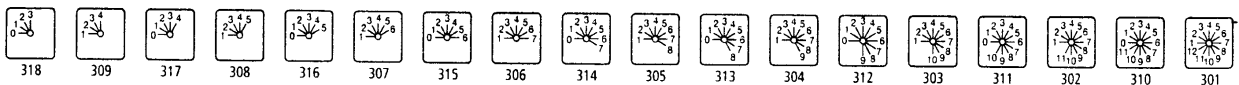
Switching angle 60°



Switching angle 45°



Switching angle 30°

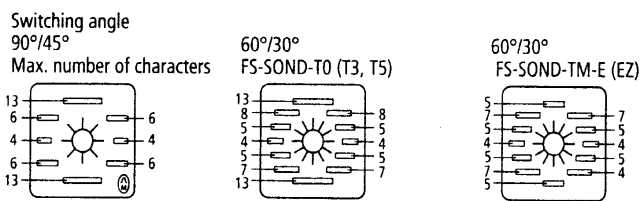


T Rotary Switches, P Switch-Disconnectors Front Plates

Non-standard front plates		Non-standard front plates	
Height of letters	Type	Price	Type suffix
≦ 2 characters	Article no.	See Price List	Article no.
> 2 characters			
mm	mm		
4.0	3.0	FS-SOND-T0 003200	+FS-SOND-T0 065213
8.0	5.0	FS-SOND-P3 060606	+FS-SOND-P3 065214
3.5	2.5	FS-SOND-TM-E 092829	-
3.5	2.5	FS-SOND-TM-EZ 095202	-

Non-standard front plates
Silver-coloured with black lettering Standard pack: 1 off

Inscription to order (note maximum number of characters per field)
The FS number is sufficient for reordering.
For non-standard T0, T3 and T5(B) switches, the front plate is included in the price.
For standard switches, the front plate is included in the price for orders exceeding 49 off.



FS-SOND-T0 (T3, T5, P1, P3)

Standard front plates arranged in their numerical sequence:

301	302	303	304	305	306	307	308	309	310	311	312	313	314	315	316	317
318	402	404	406	408	410	412	414	415	416	418	420	422	424	426	428	429
441	449	453	455	456	458	459	461	462	496	601	604	606	610	611	614	616
618	620	621	629	635	638	640	644	645	655	661	667	684	902	904	906	907
908	910	912	923	926	928	935	943	945	953	980	1401	1403	1404	1409	1411	1420
1423	1426	1446	1475	1601	1610	1614	1617	1627	1628	1662	1665	1673	1922	1957	1992	4011
4017	4026	4117	4721	4722	4723	6010	142010	6034	9440	9441	9508	14195	14196	14510	14712	14944
14988	16052	16616	19143	19334	19589	41409	140055	140660	141537	141538	141879	141883	142003	142074	147472	147474
147479	147767	160772	161002	161358	161359	161570	161629	161683	164222	164721	164854	164855	190334	190431	190550	190719
192190	192191	193840	193935	193975	194321	194322	1410755	1410756	1410757	1410758	1410759	1410763	1413890	1413903	1413905	1414000

Rotary Switches
Switch-Disconnectors

T Rotary Switches, P Switch-Disconnectors Contact Sequences

	Basic type	Contact sequence		Basic type	Contact sequence
Main switches On-Off switches Safety switches without auxiliary contacts Switching angle 90°	T0-1-8200/...		Main switches On-Off switches Safety switches with auxiliary contacts Switching angle 90°	T0-2-15679/...	
	T3-1-8200/...			P1-25/.../HI11	
	T5B-1-8200/...			P1-32/.../HI11	
	T5-1-8200/...			P3-63/.../HI11	
	T0-1-102/...			P3-100/.../HI11	
	T3-1-102/...			T0-3-15683/...	
	T5B-1-102/...			T3-3-15683/...	
	T5-1-102/...			P1-25/.../N/HI11	
	T0-2-1/...			P1-32/.../N/HI11	
	P1-25/...			P3-63/.../N/HI11	
P1-32/...		P3-100/.../N/HI11			
P3-63/...		T0-3-15681/...			
P3-100/...		T3-3-15681/...			
T6-2/...		T5B-3-8901/...			
T0-2-8900/...		T8-3-8901/...			
P1-25/.../N		T0-4-15682/...			
P1-32/.../N		T3-4-15682/...			
P3-63/.../N		T5B-4-15682/...			
P3-100/.../N		T5-4-15682/...			
T0-3-8342/...		T6-160-6/...			
T3-3-8342/...		T8-3-8342/...			
T5B-3-8342/...		T5B-4-8903/...			
T5-3-8342/...		T5-4-8903/...			
T0-4-8344/...					
T3-4-8344/...					
T5B-4-8344/...					
T5-4-8344/...					

Rotary Switches
Switch-Disconnectors

07/087

P Switch-Disconnectors

Technical Data

 Rotary Switches
Switch-Disconnectors

				P1-25	P1-32	P3-63	P3-100	
General								
Standards				IEC/EN 60 947, IEC/EN 60 204, CSA, UL Switch-disconnectors to IEC/EN 60 947-3				
Lifespan, mechanical	Operations			3×10^5	3×10^5	10^5	10^5	
Max. operating frequency	Ops./h			50	50	50	50	
Climatic proofing				Damp heat, constant, to IEC 60 068 Part 2-3 Damp heat, cyclic, to IEC 60 068 Part 2-30				
Ambient temperature	Open	Min./Max.		°C	-25/+50	-25/+50	-25/+50	
	Enclosed	Min./Max.		°C	-25/+40	-25/+40	-25/+40	
Mounting position				As required				
Dimensions				→ Page 07/103				
Weights				→ Page 18/025				
Mechanical shock resistance (half-sinusoidal shock 20 ms)				g	> 20	> 20	> 20	> 20
Contacts								
Rated operational voltage U_e				V AC	690	690	690	690
Rated impulse withstand voltage U_{imp}				V	6000	6000	6000	6000
Overvoltage category/pollution degree					III/3	III/3	III/3	III/3
Rated uninterrupted current I_u (with max. cable connected)				A	25	32	63	100
Load-carrying capacity in intermittent operation, Class 12, AB 60/40/25 % DF				$\times I_e$	1.3/1.6/2	1.3/1.6/2	1.3/1.6/2	1.3/1.6/2
Short-circuit rating		Max. fuse		A gL	25	50	80	100
Rated short-time withstand current (1 s current) I_{cw}				A_{rms}	640	640	1260	2000
Isolating characteristics to IEC/EN 60 947				Up to VAC	660/690	660/690	660/690	660/690
Safe isolation to VDE 0106 Part 101 and Part 101 A1 between the main contacts and the auxiliary contacts				V AC	440	440	440	440
Protection against direct contact				Finger- and back-of-hand proof to IEC 536				
Switching angles					90°	90°	90°	90°
Contacts (current paths)				Max.	7	7	7	7
Current heat loss per contact at I_e				W	1.1	1.8	4.5	7.5
Terminal capacity								
Solid or stranded ¹⁾				mm ²	1 × (1.5 – 6)	1 × (1.5 – 6)	1 × (2.5 – 35)	1 × (2.5 – 35)
				mm ²	2 × (1.5 – 6)	2 × (1.5 – 6)	2 × (2.5 – 10)	2 × (2.5 – 10)
Flexible including ferrule ¹⁾ (ferrule to DIN 46 228)				mm ²	1 × (1 – 4)	1 × (1 – 4)	1 × (1.5 – 25)	1 × (1.5 – 25)
				mm ²	2 × (1 – 4)	2 × (1 – 4)	2 × (1.5 – 6)	2 × (1.5 – 6)
Terminal screw					M4	M4	M5	M5

Notes

Main switch characteristics to IEC/EN 60 204;
positive opening of contacts, operator element positively located on shaft

¹⁾ P1-....:

Max. 2 sizes difference admissible between 2
conductors

P3-....:

Max. 2 sizes difference admissible between 2
conductors

P Switch-Disconnectors

Technical Data

			P1-25	P1-32	P3-63	P3-100	
Switching capacity							
AC							
	Rated making capacity	$\cos \varphi = 0.35$	A	240	320	800	950
	Rated breaking capacity	230 V AC, $\cos \varphi = 0.35$	A	190	260	640	760
	Motor load switches	400 V AC, $\cos \varphi = 0.35$	A	150	300	600	740
		500 V AC, $\cos \varphi = 0.35$	A	170	290	590	880
		690 V AC, $\cos \varphi = 0.35$	A	150	250	340	520
AC-21A	Load-break switches	Rated operational current I_e 380 – 440 V, 3~	A	25	32	63	100
AC-3	Motor load switches, for operational switching	220 – 240 V, 3~	kW	5.5	7.5	15	22
		380 – 440 V, 3~	kW	7.5	13	30	37
		500 V, 3~	kW	7.5	18.5	30	45
		660/690 V, 3~	kW	7.5	15	30	37
AC-23A	Motor load switches (Main switches, maintenance switches)	220 – 240 V, 3~	kW	7	8.5	18.5	30
		380 – 440 V, 3~	kW	13	15	37	50
		500 V, 3~	kW	11	18.5	37	65
		660/690 V, 3~	kW	11	18.5	30	75
DC							
DC-1	Load-break switches L/R = 1 ms	Rated operational current I_e	A	25	32	63	100
		Voltage per contact pair in series	V	60	60	60	60
DC-23A	Motor load switches L/R = 15 ms	24 V	A	25 (1)	25 (1)	50 (1)	50 (1)
		48 V	A	25 (2)	25 (2)	50 (2)	50 (2)
		60 V	A	25 (3)	25 (3)	50 (3)	50 (3)
		120 V	A	12 (3)	12 (3)	25 (3)	25 (3)
	Figures in brackets: number of contacts to be switched in series						
			N-P1...	N-P3...			
Switched neutral							
Switching capacity			As P1-32		As P3-100		
HI11-P1/P3							
Auxiliary contacts							
Standards			Control circuit isolators to IEC/EN 947 Part 5/EN 60 947 Part 5 ☉				
Rated insulation voltage U_i			V AC	500			
Rated uninterrupted current I_u with max. cable connected			A	10			
Rated operational current I_e AC-15 at 220 – 240/380 – 415/500 V			A	6/4/3			
Short-circuit rating without welding Maximum fuse			A gL	10			
Terminal capacity $s = \text{solid}$		Min. s/f	mm ²	0.75/0.5			
f = flexible with ferrule		Max. s/f	mm ²	2.5/1.5			
Control circuit reliability 24 V DC, 10 mA		Fault probability	H _f	<10 ⁻⁵ , <1 fault in 100 000 operations			

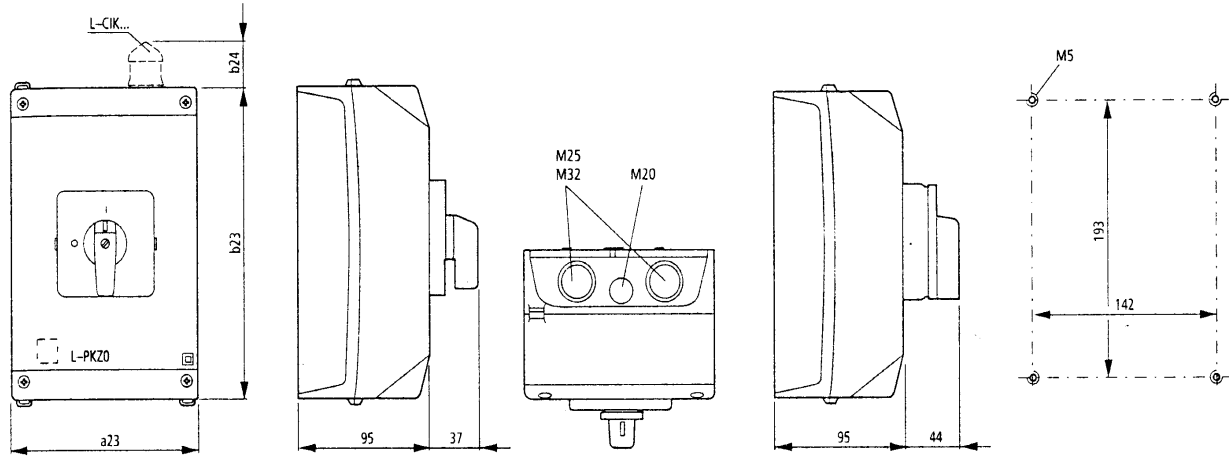
P Switch-Disconnectors

Dimensions

Surface mounting
P3-63/I4

Surface mounting main switches/safety switches
P3-63/I4/SVB
P3-63/I4/SI
T5B-.../I4/SI

Drilling dimensions

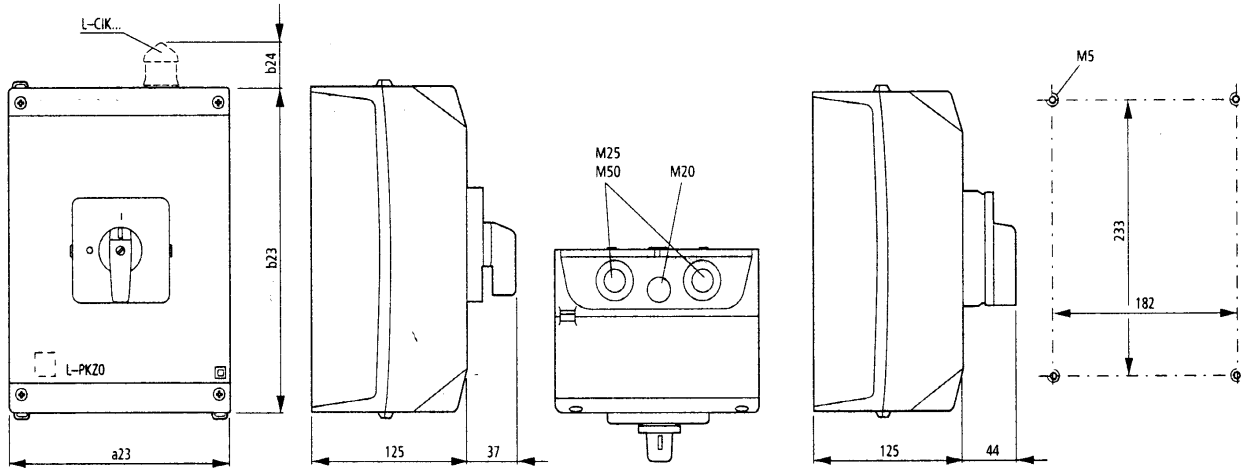


Surface mounting

P3-100/I5

Surface mounting main switches/safety switches
P3-100/I5/SVB
P3-100/I5/SI
T5-.../I5/SI

Drilling dimensions



Type	a2	a3	a4	a21	a22	a23	a31	a32	a33	b2	b3	b21	b22	b23	b24	b31
P1.../I2	48	49	53.5	65	48	100	15	15	83	48	70	65	17	180	35.5	49
P3-63/I4	87	72	71.5	87	87	160	18	15	114	87	83	87	27	240	35.5	60
P3-100/I5	87	72	71.5	87	87	200	18	15	114	87	83	87	27	280	35.5	60

Type	c2	c3	c20 min./max.	c20 with up to 4 ZAV/ZVV	c21	c22	c23	c24	c25	c27	c28	c31	c32	c33
P1.../I2	59	86	96 – 112	212	35	32	65	68	58	35	80	25	25	27
P3-63/I5	59	82	103 – 118	218	37	41	63	81	65	44	125	25	25	37
P3-100-I5	59	82	103 – 118	218	37	41	63	81	65	44	125	25	25	37

Rotary Switches
Switch-Disconnectors

