

Type: **P1-25/V/SVB**  
 Article No.: **055335**  
 Sales text **Circuit Interruptor P1-25 (UK)**



Ordering information			
			BME-CAT Fotos
Produktgruppen-Bezeichnung			T rotary switches, P switch-disconnectors, technical data
			Load current switches
			Main switches, maintenance switches
Design			Rear mounting
Basic type for ... insert mounting form			P1-25/...
Mounting form			V/SVB
No. of poles		M	3
Description			As Emergency-Stop device

General			
Standards			IEC/EN 60 947, VDE 0660, IEC/EN 60 204, CSA,UL Switch-disconnectors to IEC/EN 60 947-3 NEMA3R, NEMA12
Lifespan, mechanical	Operations	$\times 10^6$	0,3
Maximum operating frequency	Operations/h		50
Climatic proofing			Damp heat, constant, to IEC

			60068–2–78; Damp heat, cyclical, to IEC 60068–2–30
Ambient temperature			
Open		°C	–25...50
Enclosed		°C	–25...40
Mounting position			As required
Mechanical shock resistance to IEC 60068–2–27	Half-sinusoidal shock 20 ms	g	> 15

### Contacts

Rated operational voltage	$U_e$	V AC	690
Rated impulse withstand voltage	$U_{imp}$	V AC	6000
Overvoltage category/pollution degree			III/3
Rated uninterrupted current			
open	$I_u$	A	25
Enclosed	$I_u$	A	25
Load rating with intermittent operation, class 12			
AB 25 % DF		$\times I_e$	2
AB 40 % DF		$\times I_e$	1,6
AB 60 % DF		$\times I_e$	1,3
Short-circuit rating			
Fuse		A gG/gL	25
Rated short-time withstand current (1 s current)	$I_{cw}$	$A_{rms}$	640
Switching angles		°	90
Current heat loss per contact at $I_e$		W	1,1

### Terminal capacities

Solid or stranded		mm <sup>2</sup>	1 × (1.5 – 6) 2 × (1.5 – 6)
Flexible with ferrule to DIN 46228		mm <sup>2</sup>	1 × (1 – 4) 2 × (1 – 4)
Terminal screw			M4
Tightening torque		Nm	1.6

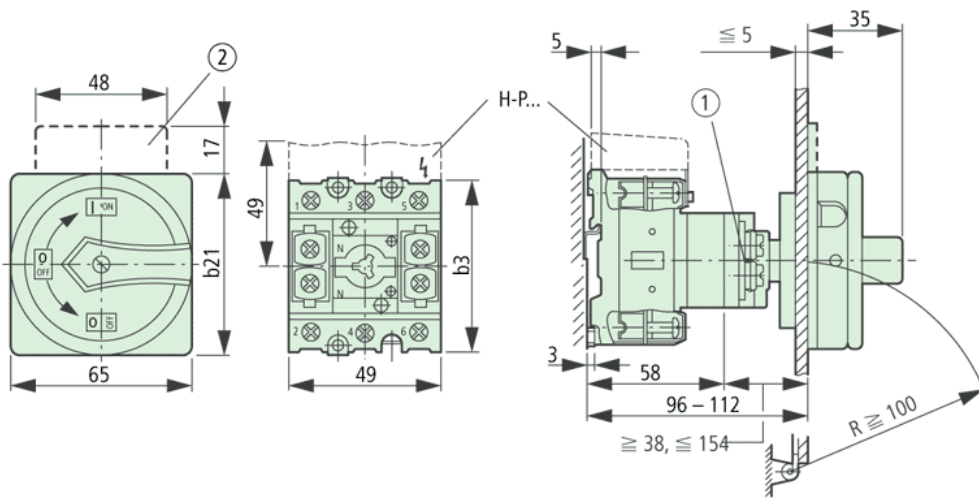
### Switching capacity

AC			
Rated making capacity $\cos \phi = 0.35$		A	240
Rated breaking capacity, motor load switch $\cos \phi = 0.35$			

230 V		A	190
400 V		A	150
500 V		A	170
690 V		A	150
Rated operational current 440 V load-break switch AC-21A	$I_e$	A	25
AC-3 motor load switch motor rating			
230 V	$P$	kW	5,5
400 V	$P$	kW	7,5
500 V	$P$	kW	7,5
690 V	$P$	kW	7,5
AC-23A Motor load switches (main switches maintenance switches)			
230 V	$P$	kW	7
400 V	$P$	kW	13
500 V	$P$	kW	11
690 V	$P$	kW	11
DC			
DC-1, Load-break switches L/R = 1 ms			
Rated operational current	$I_e$	A	25
Voltage per contact pair in series		V	60
DC-23A, motor load switch L/R = 15 ms			
24 V			
Rated operational current	$I_e$	A	25
Contacts		Quantity	1
48 V			
Rated operational current	$I_e$	A	25
Contacts		Quantity	2
60 V			
Rated operational current	$I_e$	A	25
Contacts		Quantity	3
120 V			
Rated operational current	$I_e$	A	12
Contacts		Quantity	3
<b>Notes</b>			
<b>Notes</b>			

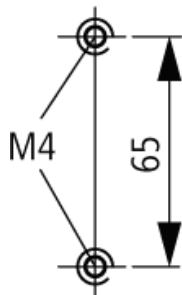
Main switch characteristics to IEC/EN 60204; positive opening of contacts, operator element positively located on shaft  
 The rated uninterrupted current  $I_U$  is stated at max. connected cross-section.  
 For terminal capacity solid, stranded and flexible:  
 Max. 2 cross-section sizes difference admissible when using 2 conductors.

**Dimensions**



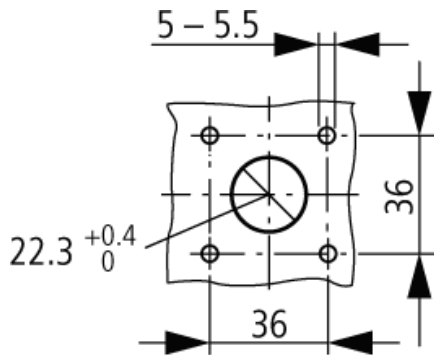
Shaft can be extended using ZVV-... + ZAV-..., max. F 4 x 25 = 100 mm  
 Not included

**Dimensions**



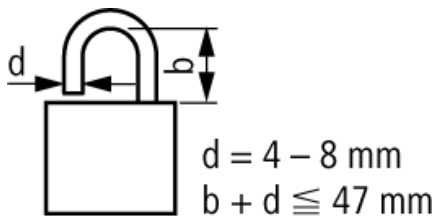
Diameter of drilled hole Bottom

**Dimensions**



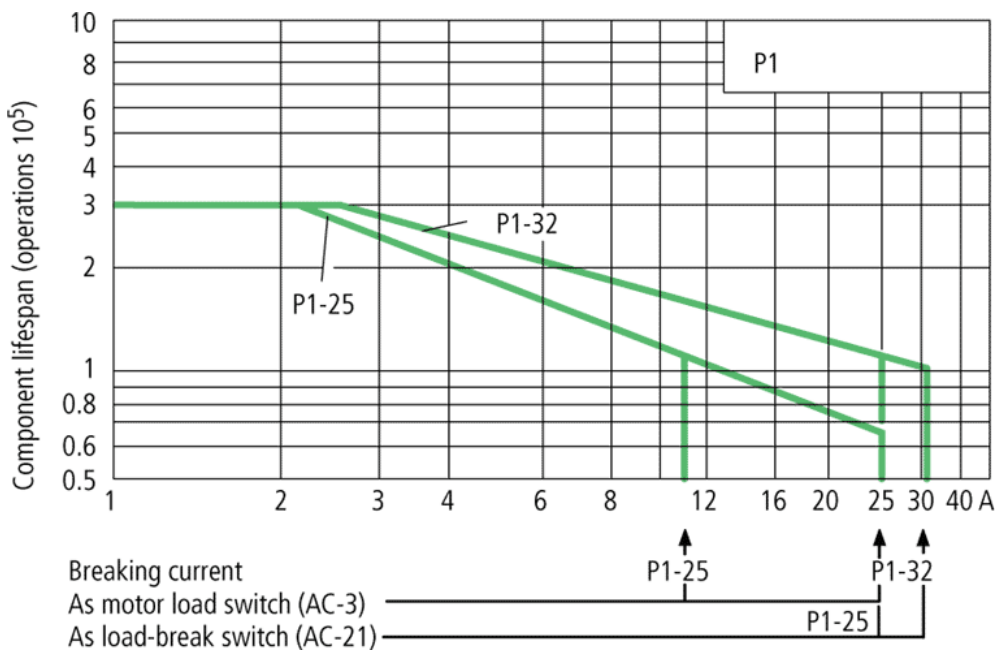
Diameter of drilled hole Door

### Dimensions



3 Padlocks

### Characteristic curve



For utilisation category AC-4 (extreme load: 100 % inching, reversing or plugging)  
 The blocked rotor current of the motor should not exceed the rated current of the switch for AC-21A to ensure a reasonable device lifespan.

Moeller GmbH, Hein-Moeller-Str. 7-11, D-53115 Bonn  
 E-Mail: [catalog@moeller.net](mailto:catalog@moeller.net), Internet: [www.moeller.net](http://www.moeller.net), <http://catalog.moeller.net>  
 HPL-C2007G V2.1 © 2007 by Moeller GmbH