

Rotary Isolators

3 Pole



LBPM 25 to 63A:



Features:

LBPM 25 to 63A:

- Degree of protection IP65.
- Panel mount.
- RoHS compliant.
- 2 hole rear mounting or snap on mounting to 35mm DIN rail.
- Operable from the front (door) coupled with the door mechanism.
- Door interlock (door opens only in the OFF position).
- Switch with round padlocking device to prevent the switch from being switched on by unauthorised personnel. (The maximum number of padlocks that can be used is 3).

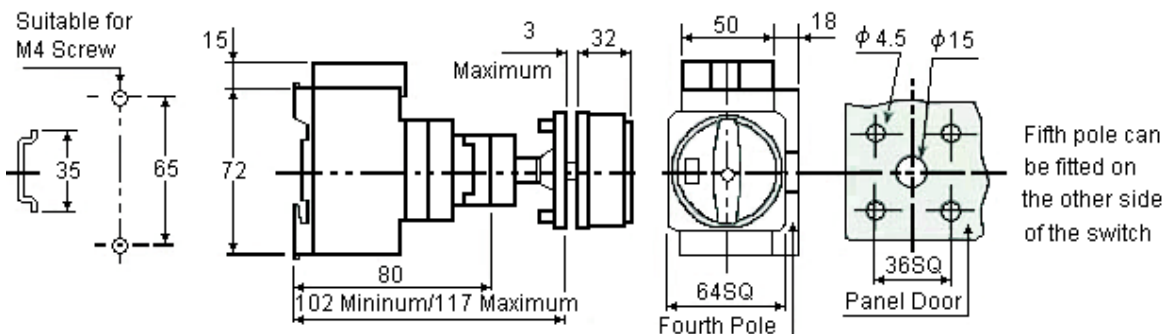
LBDI 25 to 63A:



LBDI 25 to 63A:

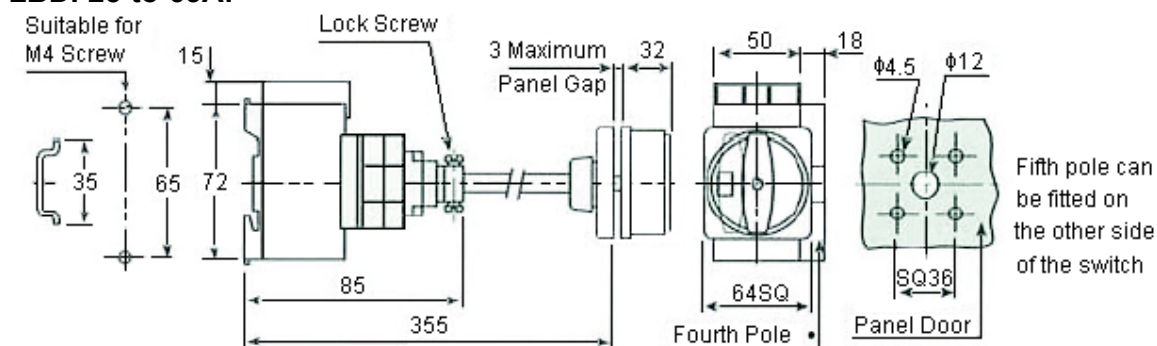
- Degree of protection IP65.
- DIN rail mount
- Metal shaft 280mm.
- RoHS compliant.
- 2 hole rear mounting or snap on mounting to 35mm DIN rail.
- Operable from the front (door) coupled with the door mechanism.
- Door interlock (door opens only in the OFF position). Rigid metal shaft/switch assembly.
- Switch with padlocking device to prevent the switch from being turned to the on position by unauthorised personnel. (The maximum number of padlocks that can be used is 3).
- Adjustable mounting by cutting the metal shaft to appropriate length to suit panel height.

LBPM 25 to 63A:



Dimensions : Millimetres

LBDI 25 to 63A:



Dimensions : Millimetres

<http://www.farnell.com>
<http://www.newark.com>
<http://www.cpc.co.uk>



Rotary Isolators

3 Pole



Canadian Standards:		CAN/CSA-C22.2 No.14									
American Standards:		UL508									
IEC and European Standards:		IEC 60947-1 and 3, EN60947, VDE 0660-107									
Isolator Rating (AC-21)	Measure	Switch Code	LB20	LB25	LB32	LB40	LB63	LB80	LB100	LB125	
Rated Operational Voltage, UE											
IEC/EN/VDE	Volts	V	690	690	690	690	690	690	690	690	
UL/CSA			600	600	600	600	600	600	600	600	
Main Switch: Isolating Voltage up to			750	750	750	750	750	750	750	750	
Resistance to Surge Pulse Voltage, Uimp		KV	6	6	6	6	6	6	6	6	
Rated Uninterrupted Current, Iu	Amp	A	16	20	25	32	40	63	100	125	
Rated Uninterrupted Current, Ie											
IEC/EN/VDE	AC-22	Amp	A	16	20	25	32	40	63	100	125
	AC-21A			20	25	32	40	63	80		
	AC-1			16	20	25	32	40	63		
UL/CSA				16	20	25	32	40	63		
Rated Operational Power at 50 to 60Hz (IEC/EN/VDE)											
IEC/EN/VDE	AC-23A, 3 Phase, 3 Pole	220-240V	kW	3.0	4.0	5.5	7.5	11.0	15	22.0	30
		380-440V		5.5	7.5	11.0	15.0	18.5	30	37.0	45
		500-690V		7.5	11.0			22.0		45.0	55
	AC-3A, 3 Phase, 3 Pole	220-240V		2.0	3.0	4.0	5.5	7.5	11	18.5	22
		380-440V		3.0	5.5	7.5	11.0	18.5	22	30.0	37
		500-690V		5.5	7.5	11.0				37.0	45
Short Circuit Capacity (IEC/EN/VDE)											
Maximum Fuse Size (Type gL)	Amp	A	16	25	25	32	40	63	100	125	
Rated Fused Short Circuit Current		kA	5	5	30	30	30	30	30	30	

Rotary Isolators

3 Pole



Isolator Rating (AC-21)	Measure	Switch Code	LB20	LB25	LB32	LB40	LB63	LB80	LB100	LB125	
UL/CSA Power Rating											
DOL	3 Phase, 3 Pole	120V	HP	1.5	1.5	3.0	3.0	5	7.5	7.5	7.5
		240V		3.0	3.0	7.5	7.5	10	15.0	15.0	15.0
		480V		7.5	7.5	15.0	20.0	20	25.0	30.0	40.0
		600V		10.0	10.0	20.0	25.0	30	30.0	40.0	50.0
	1 Phase	120V		0.5	0.5	1.5	2.0	3	4.5	3.0	3.0
		240V		1.5	1.5	2.0	3.0	4	6.0	7.5	7.5
Short Circuit Capacity (UL/CSA)											
Maximum Fuse Size	Amp	A	25	25	50	50	70	70	100	125	
Fuse (Being Certified with J Type Fuses)	Type	-	J	J	J, RK5				J	J	
Rated Fuse Short Circuit Current	Amp	kA	5	5	5	5	5	5	10	10	
Terminal Cross Section											
Single/Multiple Strand Wire	Minimum	mm²	1.5	1.5	1.00	1.00	4.0	4.0	6.0	6.0	
	Maximum		6.0	6.0	10.00	10.00	16.0	16.0	70.0	70.0	
Fine Strand Wire with Sleeve	Minimum		0.5	0.5	0.75	0.75	2.5	2.5	4.0	4.0	
	Maximum		6.0	6.0	6.00	6.00	10.0	10.0	50.0	50.0	
American Wire Gauge	-		AWG	12.0	12.0	8.00	8.00	6.0	6.0	1.0	1.0
Recommended Tightening Torque for Terminals	-		NM	0.8	0.8	1.70	1.70	1.7	1.7	2.5	2.5

Rotary Isolators

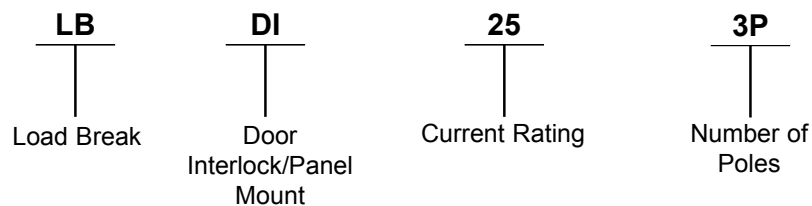
3 Pole



Part Number Table

Description	Part Number
Mains Isolators Door Interlock 25A3P	LBDI253P
Mains Isolators Door Interlock 32A3P	LBDI323P
Mains Isolators Door Interlock 40A3P	LBDI403P
Mains Isolators Door Interlock 63A3P	LBDI633P
Mains Isolators Door Interlock 80A3P	LBDI803P
Mains Isolators Door Interlock 100A3P	LBDI1003P
Mains Isolators Door Interlock 125A3P	LBDI1253P
Mains Isolator Panel Mount 25A 3P	LBPM253P
Mains Isolator Panel Mount 32A 3P	LBPM323P
Mains Isolator Panel Mount 40A 3P	LBPM403P
Mains Isolator Panel Mount 63A 3P	LBPM633P

Part Number Explanation:



Door Interlock/Panel Mount : DI = Door Interlock and PM = Panel Mount.
Current Rating : 25 = 25A, 32 = 32A, 40 = 40A, 63 = 63A, 80 = 80A and 100 = 100A (AC-21A and AC-1).
Number of Poles : 3P = 3 Pole.

Disclaimer This data sheet and its contents (the "Information") belong to the Premier Farnell Group (the "Group") or are licensed to it. No licence is granted for the use of it other than for information purposes in connection with the products to which it relates. No licence of any intellectual property rights is granted. The Information is subject to change without notice and replaces all data sheets previously supplied. The Information supplied is believed to be accurate but the Group assumes no responsibility for its accuracy or completeness, any error in or omission from it or for any use made of it. Users of this data sheet should check for themselves the Information and the suitability of the products for their purpose and not make any assumptions based on information included or omitted. Liability for loss or damage resulting from any reliance on the Information or use of it (including liability resulting from negligence or where the Group was aware of the possibility of such loss or damage arising) is excluded. This will not operate to limit or restrict the Group's liability for death or personal injury resulting from its negligence. SPC Multicomp is the registered trademark of the Group. © Premier Farnell plc 2009.

<http://www.farnell.com>
<http://www.newark.com>
<http://www.cpc.co.uk>

