

Type: **P3-63/V/SVB**
 Article No.: **048218**
 Sales text **CIRCUIT INTERRUPTER P3-63 (UK)**



Ordering information			
			BME-CAT Fotos
Produktgruppen-Bezeichnung			T rotary switches, P switch-disconnectors, technical data
			Load current switches
			Main switches, maintenance switches
Design			Rear mounting
Basic type for ... insert mounting form			P3-63/...
Mounting form			V/SVB
No. of poles		M	3
Description			As Emergency-Stop device

General			
Standards			IEC/EN 60 947, VDE 0660, IEC/EN 60 204, CSA,UL Switch-disconnectors to IEC/EN 60 947-3 NEMA3R, NEMA12, NEMA13
Lifespan, mechanical	Operations	$\times 10^6$	0,1
Maximum operating frequency	Operations/h		50

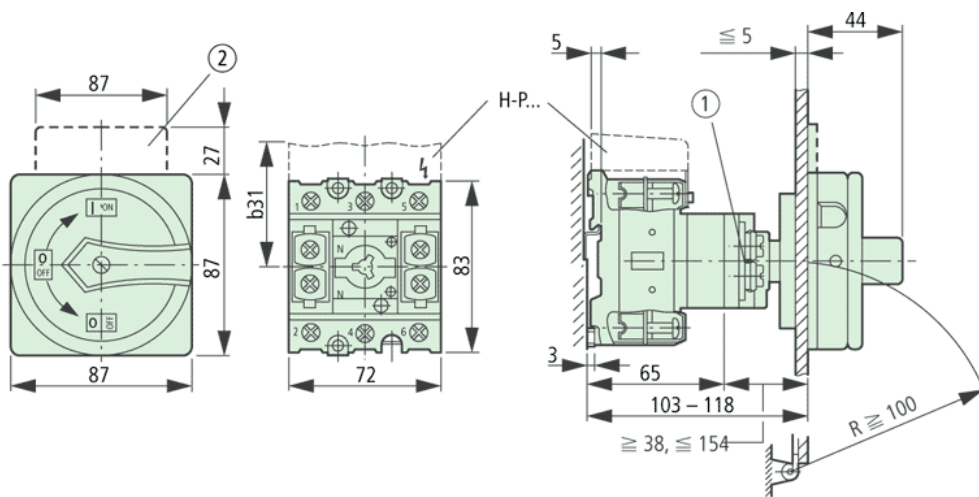
Climatic proofing			Damp heat, constant, to IEC 60068-2-78; Damp heat, cyclical, to IEC 60068-2-30
Ambient temperature			
Open		°C	—25...50
Enclosed		°C	—25...40
Mounting position			As required
Mechanical shock resistance to IEC 60068-2-27	Half-sinusoidal shock 20 ms	g	> 15
Contacts			
Rated operational voltage	U_e	V AC	690
Rated impulse withstand voltage	U_{imp}	V AC	6000
Overvoltage category/pollution degree			III/3
Rated uninterrupted current			
open	I_u	A	63
Enclosed	I_u	A	63
Load rating with intermittent operation, class 12			
AB 25 % DF		$\times I_e$	2
AB 40 % DF		$\times I_e$	1,6
AB 60 % DF		$\times I_e$	1,3
Short-circuit rating			
Fuse		A gG/gL	80
Rated short-time withstand current (1 s current)	I_{cw}	A_{rms}	1260
Switching angles		°	90
Current heat loss per contact at I_e		W	4,5
Terminal capacities			
Solid or stranded		mm ²	1 × (2.5 – 35) 2 × (2.5 – 10)
Flexible with ferrule to DIN 46228		mm ²	1 × (1.5 – 25) 2 × (1.5 – 6)
Terminal screw			M5
Tightening torque		Nm	3
Switching capacity			
AC			
Rated making capacity $\cos \phi = 0.35$		A	800
Rated breaking capacity, motor			

load switch cos = 0.35			
230 V		A	640
400 V		A	600
500 V		A	590
690 V		A	340
Rated operational current 440 V load-break switch AC-21A	I_e	A	63
AC-3 motor load switch motor rating			
230 V	P	kW	15
400 V	P	kW	30
500 V	P	kW	30
690 V	P	kW	30
AC-23A Motor load switches (main switches maintenance switches)			
230 V	P	kW	18,5
400 V	P	kW	37
500 V	P	kW	37
690 V	P	kW	30
DC			
DC-1, Load-break switches L/R = 1 ms			
Rated operational current	I_e	A	63
Voltage per contact pair in series		V	60
DC-23A, motor load switch L/R = 15 ms			
24 V			
Rated operational current	I_e	A	50
Contacts		Quantity	1
48 V			
Rated operational current	I_e	A	50
Contacts		Quantity	2
60 V			
Rated operational current	I_e	A	50
Contacts		Quantity	3
120 V			
Rated operational current	I_e	A	25
Contacts		Quantity	3
Notes			

Notes

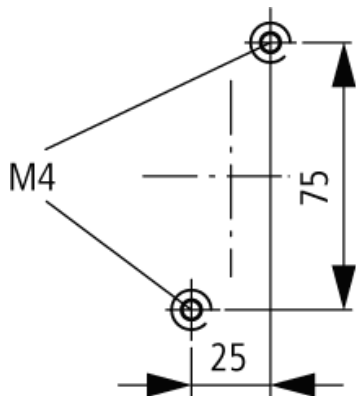
Main switch characteristics to IEC/EN 60204; positive opening of contacts, operator element positively located on shaft
The rated uninterrupted current I_U is stated at max. connected cross-section.
For terminal capacity solid, stranded and flexible:
Max. 2 cross-section sizes difference admissible when using 2 conductors.

Dimensions



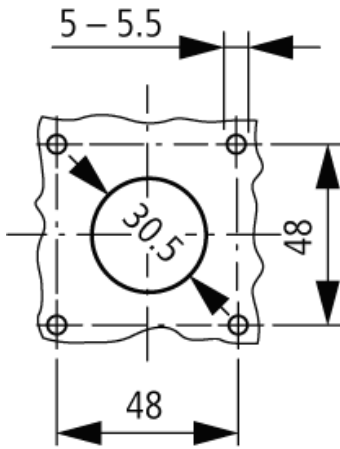
Shaft can be extended using ZVV-... + ZAV-..., max. $F 4 \times 25 = 100$ mm
Not included

Dimensions



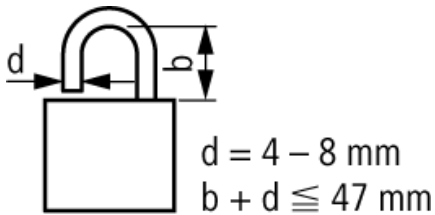
Diameter of drilled hole Bottom

Dimensions



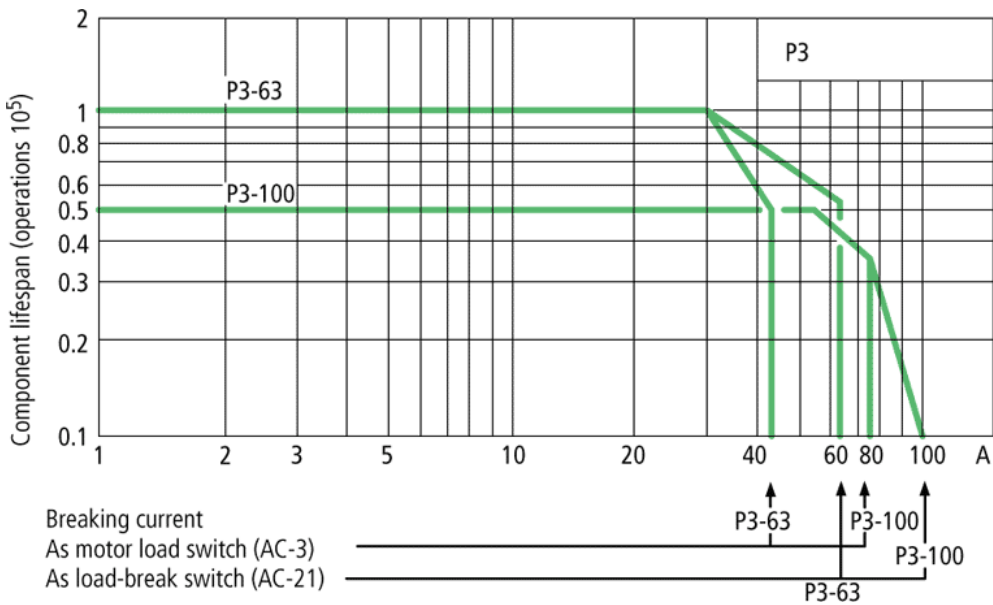
Diameter of drilled hole Door

Dimensions



3 Padlocks

Characteristic curve



For utilisation category AC-4 (extreme load: 100 % inching, reversing or plugging)
 The blocked rotor current of the motor should not exceed the rated current of the switch for AC-21A to ensure a reasonable device lifespan.

Moeller GmbH, Hein-Moeller-Str. 7-11, D-53115 Bonn

E-Mail: catalog@moeller.net, Internet: www.moeller.net, <http://catalog.moeller.net>
HPL-C2007G V2.1 © 2007 by Moeller GmbH