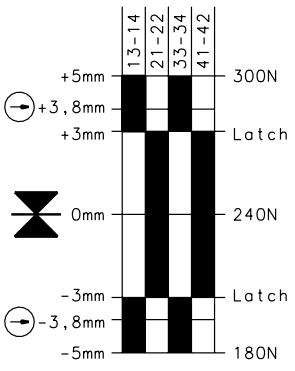
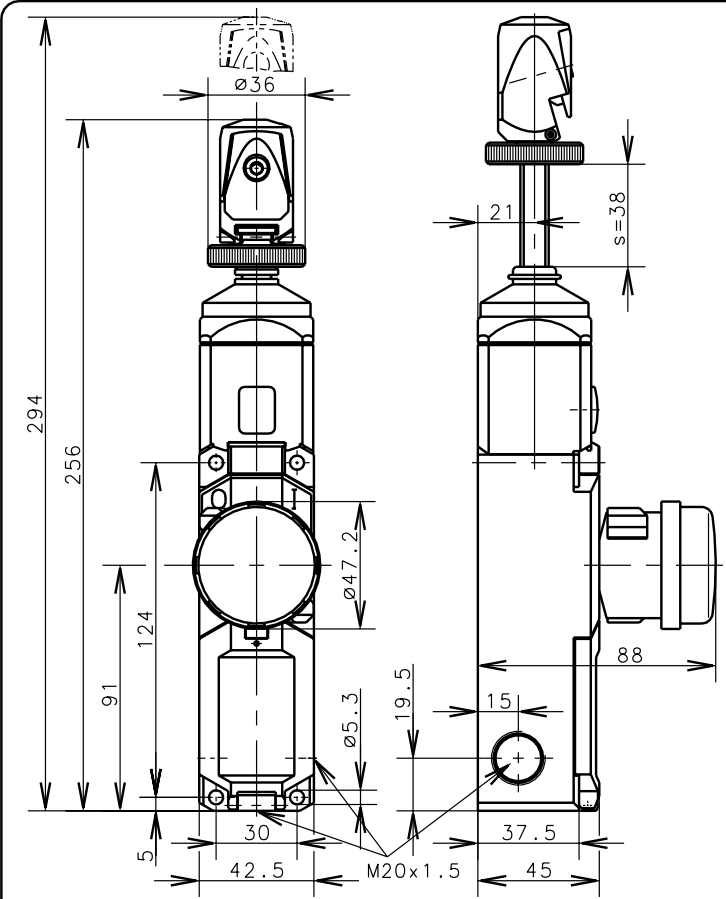




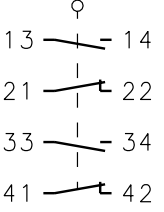
Positive opening operation according to DIN EN 60947-5-1 IEC 60947-5-1

Emergency stop and reset function acc. IEC 60947-5-5

Latching according to DIN EN 418



Switching diagram



Switching symbol

Tolerance of tensile force ±15%

Schutzvermerk nach DIN 34 beachten
Copyright reserved

06.06.2001

Mechanical features

Enclosure: PA 6 GV (UL94-V0)
Cover: PA 6 GV (UL94-V0)
Actuator: Zn-die cast/st

Ambient air temperature: -25 °C up to +70 °C
Contact type: 2 NC-contacts, 2 NO-contacts (Zb)
Contact gap: > 2x2 mm

Mechanical life: according to IEC 60947-5-5
Rope Ø: D_a = Ø2-5 mm
Fixing of rope: Quick fixing device
Rope tension device: integrated jackscrew s = 38 mm
Rope length: L_{max.} = 75 m (with an end spring)
Mounting: 4 x M5
Connection type: 8 x cage clamp max. 1.5 mm² flex
Cable entry size: 3 x M20x1.5
Weight: approx. 0,65 kg
Latching device: acc. to DIN EN 418
Emergency stop reset function: rotation clockwise of tophat readout
Assembly position: any

Electrical features

Rated insulation voltage: U_i = 250 V
Utilization categorie: AC 15 230 V/4 A
Thermal current: I_{the} = 10 A
Standards: according to EN 60947-1; EN 60947-5-1
Protection class (IP-Code): IP67 according to EN 60529; DIN VDE 0470 T1
Short-circuit protection: Fuse 10A gL, IEC/EN 60947-5-1, appendix K

Remarks

Rope with accessories can be delivered on request.
The specified protection class (IP-Code) will only be achieved with closed cover and when using an at least appropriate cable gland.