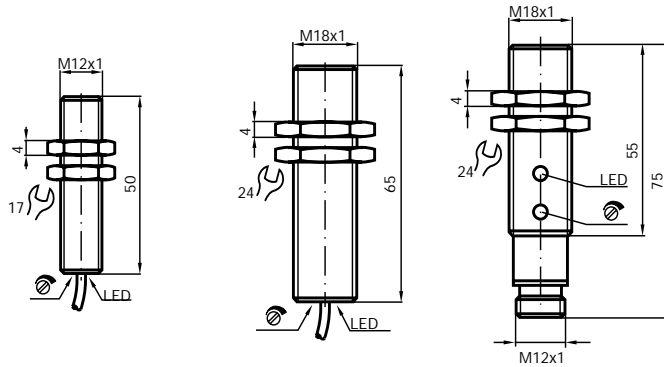


Cylindrical Type

DC

3-wire

Comfort series
 4 mm embeddable
 8 mm embeddable
 The switching distance
 can be set over a wide
 range with the potentiometer



CE

capacitive proximity switches

Rated operating distance s_n	4 mm	8 mm	8 mm
Installation	embeddable	embeddable	embeddable
PNP Make function	CJ4-12GM-E2	CJ8-18GM-E2	CJ8-18GM-E2-V1
NPN Make function	CJ4-12GM-E	CJ8-18GM-E	
Assured operating distance s_a	0 ... 4 mm	0 ... 8 mm	0 ... 8 mm
Operating voltage U_B	10 ... 35 V	10 ... 30 V	10 ... 35 V
Operating current I_L	0 ... 200 mA	0 ... 300 mA	0 ... 300 mA
Switching frequency f	100 Hz	100 Hz	100 Hz
No-load supply current I_0	20 mA	20 mA	10 mA
Voltage drop U_d	3 V	3 V	3 V
Short circuit protection	pulsing	pulsing	pulsing
Polarity reversal protected	yes	yes	yes
Indication of the switching state	LED, yellow	LED, yellow	LED, yellow
EMC in accordance with	EN 60947-5-2	EN 60947-5-2	EN 60947-5-2
Ambient temperature	-25 ... 70 °C	-30 ... 70 °C	-30 ... 70 °C
Protection degree	IP65	IP67	IP67
Connection type	2 m, PUR-cable	2 m, PVC-cable	V1-connector
Core cross-section	0,14 mm ²	0,25 mm ²	-
Housing material	high grade steel	high grade steel	brass
Sensing face	PBT	PBT	PBT

Connection:

