

FEATURES

- 0...1 to 0...100 psi, 0...±1 to 0...±100 psi
- Absolute, gage or differential pressure
- 0.5...4.5 V ratiometric output
- Precision ASIC conditioning
- Temperature compensated

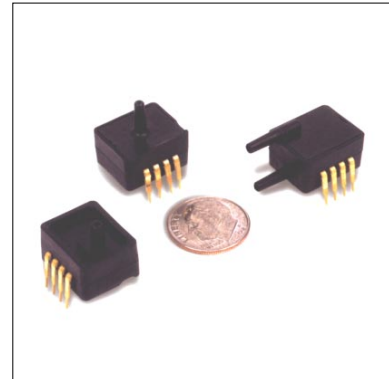
APPLICATIONS

- Medical instrumentation
- Barometry
- HVAC controls
- Pneumatic controls

GENERAL DESCRIPTION

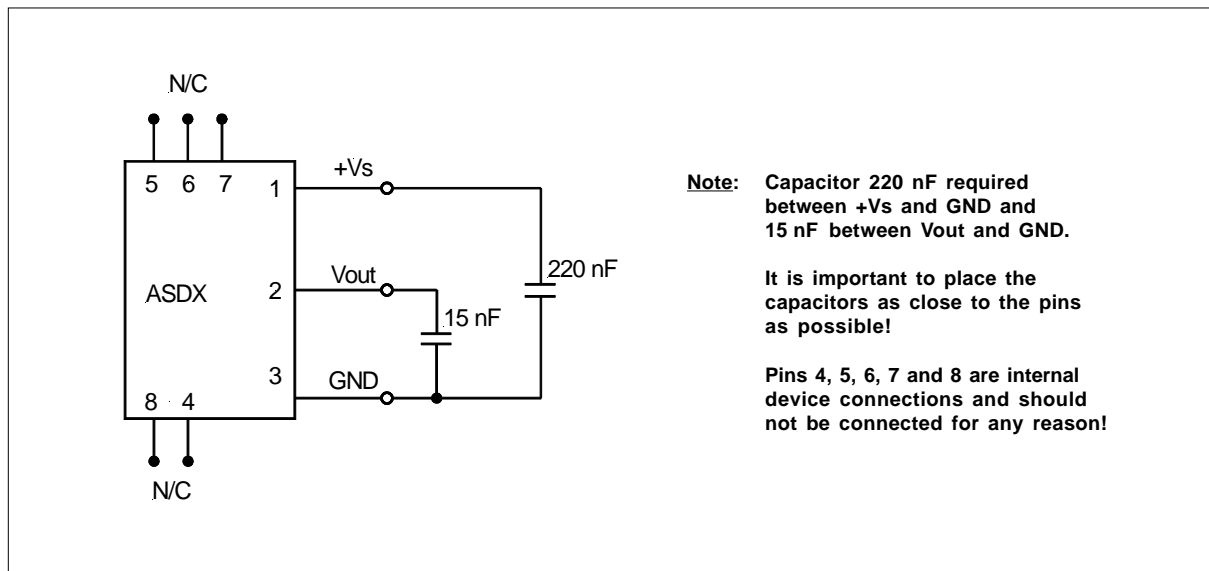
The amplified ASDX offers a high level (4.0 V span) output on a very cost-effective basis. This family is fully calibrated and temperature compensated using an on-board ASIC. These sensors are intended for use with non-corrosive, non-ionic working fluids such as air and dry gases.

Devices are available to measure absolute, differential, and gage pressures from 1 to 100 psi. The absolute devices have an internal vacuum reference and an output voltage proportional to absolute pressure. Differential devices allow application of pressure to either side of the sensing diaphragm and can be used for gage or differential measurements.



All ASDX devices are accurate to within ± 2.0 %FSS. The devices are characterized for operation from a single 5 V supply. The sensor is designed and manufactured according to standards laid down in ISO 9001.

ELECTRICAL CONNECTION



PRESSURE SENSOR CHARACTERISTICS

Maximum ratings

Supply voltage V_s	4.75 V to 5.25 V_{DC} max. 6.50 V_{DC}
Output current	
Sink	2 mA
Source	2 mA
Lead temperature (2 - 4 sec.)	250 °C

Environmental specifications

Temperature ranges	
Compensated	0 to +85 °C
Operating	-20 to +105 °C
Storage	-40 to +125 °C
Vibration:	10 g at 20 - 2000 Hz
Shock:	100 g for 11 ms

Caution! The sensor is not reverse polarity protected.
 Incorrect applications of excitation voltage or ground to the wrong pin can cause electrical failure.
 Application of supply voltage above the maximum can cause electrical failure.

PRESSURE RANGES SPECIFICATIONS

($V_s = 5.0 V_{DC}$, $T_A = 25^\circ C$)

Part number	Pressure range		Burst pressure ¹		Sensitivity (typ.)	
ASDX015A24R	0 to 15	psi(a)	30	psi(a)	0.267	V/psi
ASDX030A24R	0 to 30		60		0.133	
ASDX100A24R	0 to 100		150		0.040	
ASDX001G24R / D44R	0 to 1	psi(g,d)	5	psi(g,d)	4.00	
ASDX005G24R / D44R	0 to 5		20		0.80	
ASDX015G24R / D44R	0 to 15		30		0.267	
ASDX030G24R / D44R	0 to 30		60		0.133	
ASDX100G24R / D44R	0 to 100		150		0.040	
ASDX001D44D	0 to ±1		5		2.00	
ASDX005D44D	0 to ±5		20		0.40	
ASDX015D44D	0 to ±15		30		0.133	
ASDX030D44D	0 to ±30		60		0.067	
ASDX100D44D	0 to ±100		150		0.020	

PERFORMANCE CHARACTERISTICS

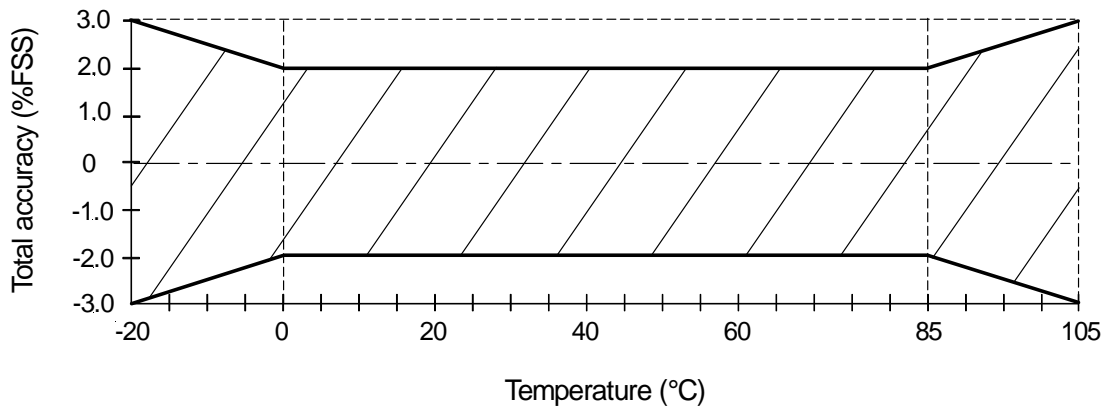
0.5 to 4.5 V ratiometric output ($V_S = 5.0 V_{DC}$, $T_A = 25^\circ C$)

All ASDX...A24R, ...G24R, ...D44R

Characteristics	Min.	Typ.	Max.	Units
Zero pressure offset	0.42	0.50	0.58	V
Full scale span (FSS) ²		4.00		
Full scale output	4.42	4.50	4.58	
Total accuracy (0 to 85°C) ³			±2.0	%FSS
Sample rate	100			Hz
Response delay ⁴	2.73		14.11	ms
Quantization step ⁵		3		mV
Current consumption		6		mA

All ASDX...D44D

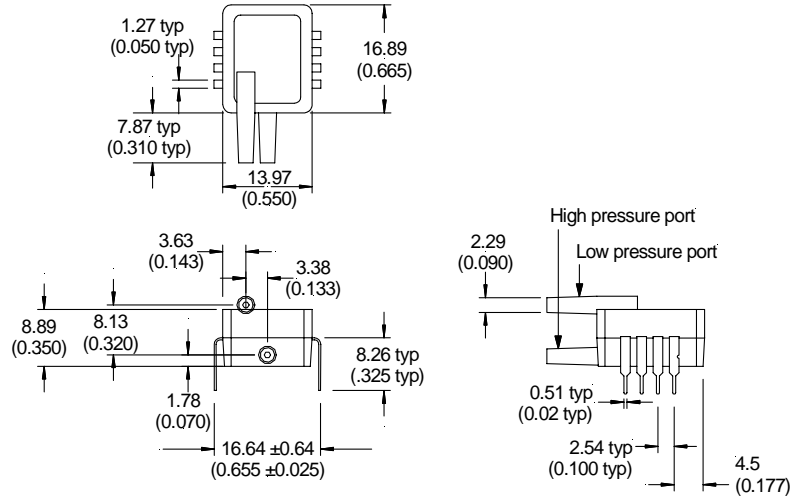
Characteristics	Min.	Typ.	Max.	Units
Zero pressure offset	2.42	2.50	2.58	V
Full scale span (FSS) ²		4.00		
Output				
at max. specified pressure	4.42	4.50	4.58	
at min. specified pressure	0.42	0.50	0.58	
Total accuracy (0 to 85°C) ³			±2.0	%FSS
Sample rate	100			Hz
Response delay ⁴	2.73		14.11	ms
Quantization step ⁵		3		mV
Current consumption		6		mA

TOTAL ACCURACY (-20 to +105°C)**Specification notes:**

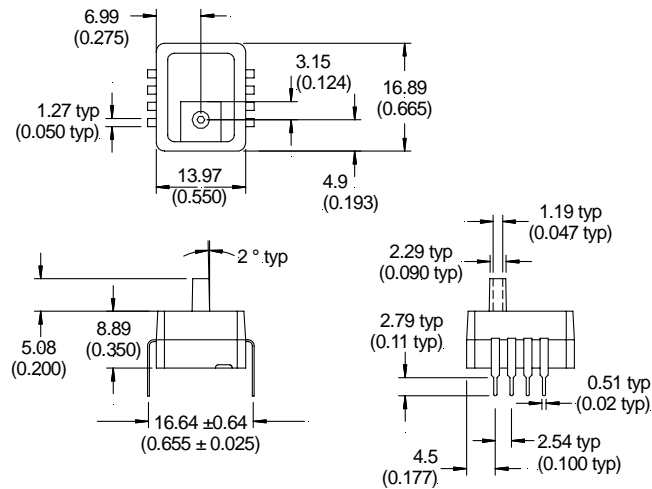
1. If maximum burst pressure is exceeded, even momentarily, the package may leak or burst, or the pressure sensing die may fracture.
2. Full Scale Span (FSS) is the algebraic difference between the output signal for the highest and lowest specified pressure. Span is ratiometric to the supply voltage.
3. Total accuracy is the combined error from offset and span calibration, linearity, pressure hysteresis, and temperature effects. Linearity is the measured deviation based on a straight line. Hysteresis is the maximum output difference at any point within the operating pressure range for increasing and decreasing pressure. Calibration errors include the deviation of offset and full scale from nominal values.
4. Delay time between sampling and signal change at the output.
5. The smallest change in the output voltage, given any change in pressure.

PHYSICAL DIMENSIONS

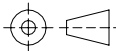
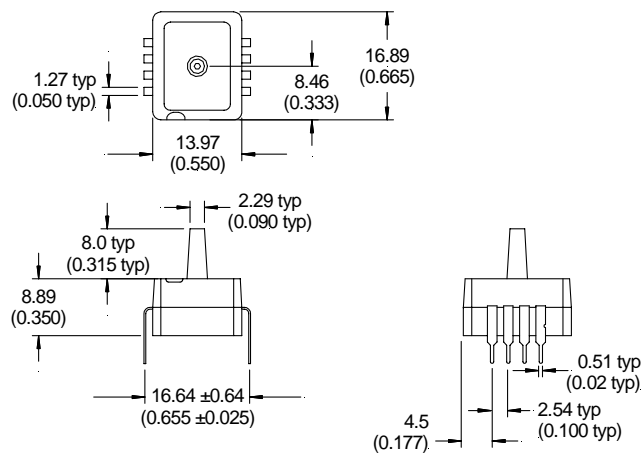
D4 package



G2 package



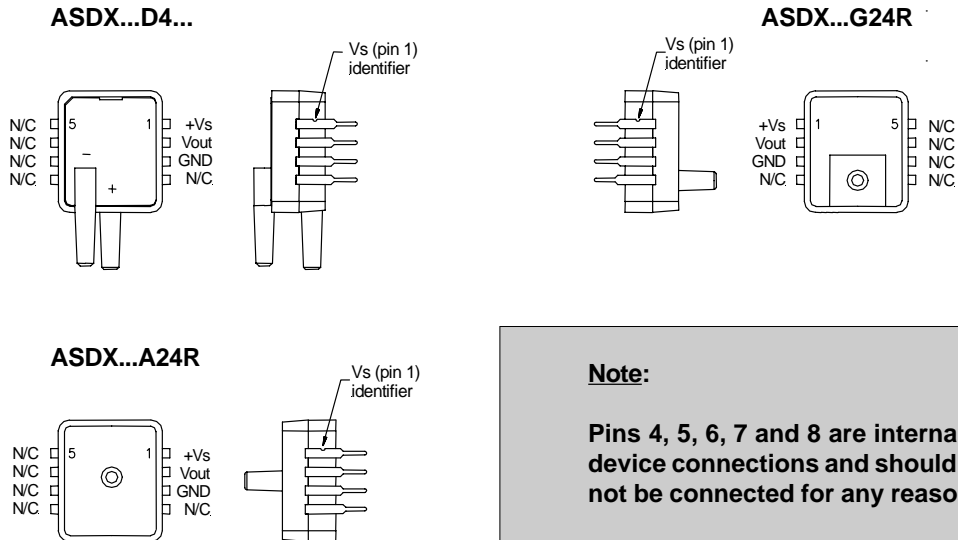
A2 package



third angle projection

dimensions in mm (inches)

ELECTRICAL CONNECTIONS



ORDERING INFORMATION

Pressure range	Absolute	Gage	Differential/Gage
0 to 1 psi		ASDX001G24R	ASDX001D44R
0 to 5 psi		ASDX005G24R	ASDX005D44R
0 to 15 psi	ASDX015A24R	ASDX015G24R	ASDX015D44R
0 to 30 psi	ASDX030A24R	ASDX030G24R	ASDX030D44R
0 to 100 psi	ASDX100A24R	ASDX100G24R	ASDX100D44R
0 to ±1 psi			ASDX001D44D
0 to ±5 psi			ASDX005D44D
0 to ±15 psi			ASDX015D44D
0 to ±30 psi			ASDX030D44D
0 to ±100 psi			ASDX100D44D

Other pressure ranges or calibrations are available on request

SenSym and Sensortechics reserve the right to make changes to any products herein. SenSym and Sensortechics do not assume any liability arising out of the application or use of any product or circuit described herein, neither does it convey any license under its patent rights nor the rights of others.