

Low Cost, Compact, Manual Swipe Reader

- Low power C-MOS technology
- Multiple configurations
- Same size as the Omron HSR series
- TTL-compatible interface (clock & data)
- Available with or without cover



Ordering Information

Magnetic Tracks Supported (R, R/W)											
1	2	3	Center	JIS II	IC Contact	Interface	Cover	Cable	Color	Part Number	
—	R	—	—	—	No	TTL	No	Yes	Black	V3B-4	
—	R	—	—	—	No	TTL	Yes	Yes	Black	V3B-4K	

Note: Cable harness is included with all V3B models. It is optional for V3A.

■ TYPICAL APPLICATIONS

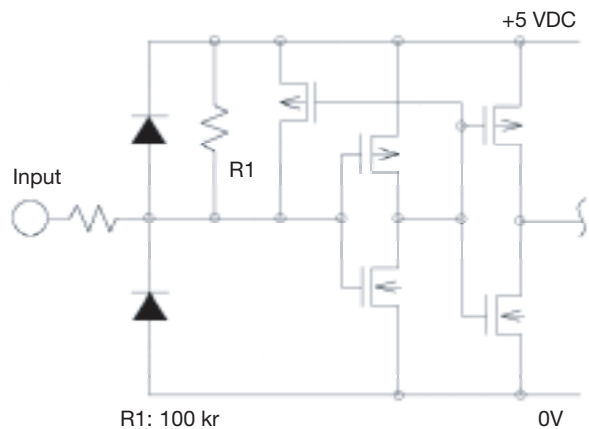
- Point-of Sale (POS) systems
- ID card checkers
- Club membership
- Access management
- Remote terminals for computers

Specifications

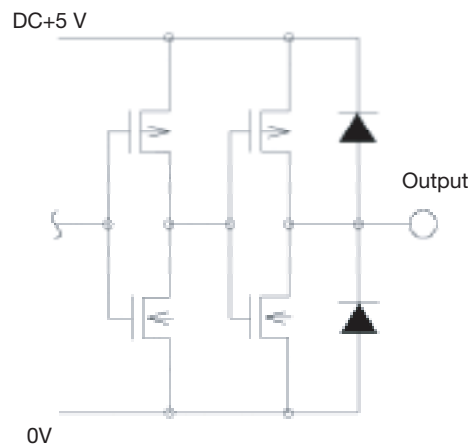
Part number		V3B - □□
Recommended card type		ISO 7810, 7811/1-6
Recording method		FM decoding (F2F)
Card feedingspeed		10 to 120 cm/second (10 to 100 cm/sec tripletrack)
Service life of magnetic head		300,000 passes
Operating power supply		+5 VDC \pm 10%
Current consumption	Single track	3 mA typical, 5 mA maximum
Mounting location		Indoors—away from direct sunlight or wet, humid environment
Ambient temperature	Operation	-10° to 55 °C (14 °F to 131 °F)
	Storage	-30° to 70 °C (-22 °F to 158 °F)
Ambient humidity,	Operation	30% to 85% RH without condensation
	Storage	20% to 90% RH
Vibration		10 to 150 Hz, single vibration, width of 0.15 mm
Shock		Peak acceleration 19.6 m/sec ²
Dimensions	With cover	100 W x 32 H x 32.5 D mm (3.94 W x 1.26 H x 1.28 D in)
	Without cover	100 W x 29.5 H x 27 D mm (3.94 W x 1.16 H x 1.06 D in)
Weight		Approx. 82 g with cover (52 g without cover)

Engineering Data

INPUT CIRCUIT DIAGRAM



OUTPUT CIRCUIT DIAGRAM



■ I/O INFORMATION

Single Track Connector Harness

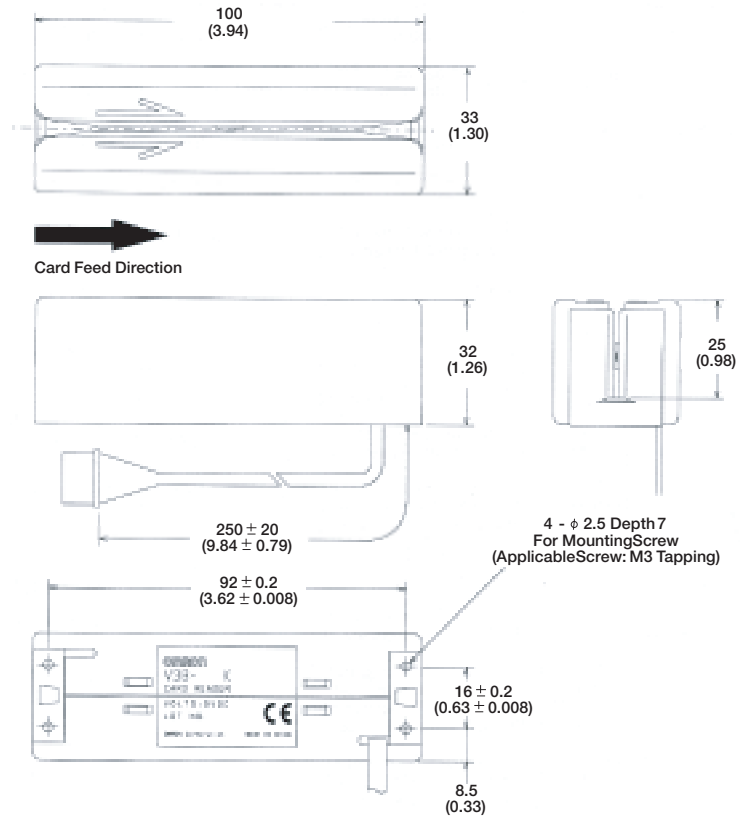
5-pin Molex connector part number 51102-0500.

Pin #	Signal	Input/Output	Description
1	$\overline{\text{RDP}}$	Output	Read data
2	$\overline{\text{RCP}}$	Output	Read clock
3	$\overline{\text{CLS}}$	Output	Card loaded
4	+5 VDC	—	—
5	0 VDC	—	—

Dimensions

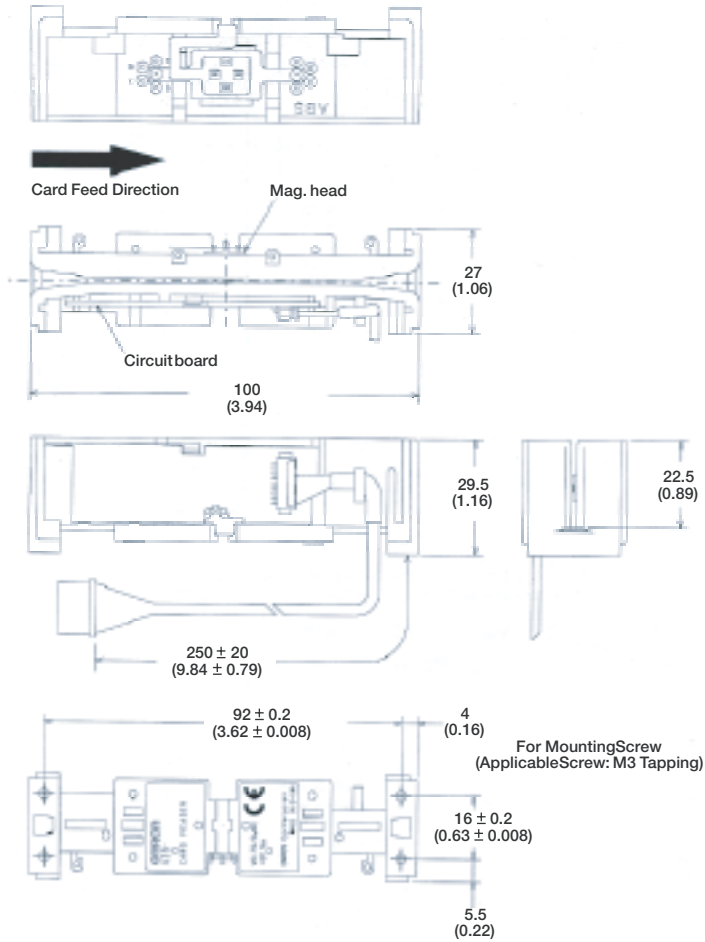
Unit: mm (inch)

■ V3B-4K



Note: Tolerances ± 0.3 mm unless specified

V3B-4



Note: Tolerances ±0.3mm unless specified

OMRON®

Card Business Promotion Division
Card Reader Components Dept.
©OMRON Corporation
Gate City Ohsaki, West Tower 14F 1-11-1, Ohsaki, Shinagawa-Ku Tokyo, 141-0032 JAPAN
TEL. 81-3-5435-2012 FAX. 81-3-5435-2017

URL : <http://www.omron.com/card/cardreader>

CAT. No. IW-01

Contact our nearest representative at

©OMRON Corporation 2002

All Rights Reserved

* This catalog is valid as of April 2002.
* Real products may slightly differ in color from catalog product due to catalog printing methods.
* All specifications may be subject to change without notice.