

Low Cost, Ultra-Compact, Manual Swipe Reader

- Low power C-MOS technology
- Multiple configurations
- TTL-compatible interface (clock & data)
- Available with or without cover



Ordering Information

Magnetic Tracks Supported (R, R/W)										
1	2	3	Center	JIS II	IC Contact	Interface	Cover	Cable	Color	Part Number
R	R	R	—	—	No	TTL	No	No	Ivory	V3A-1
—	—	—	—	R	No	TTL	No	No	Ivory	V3A-2-01P
—	R	—	—	—	No	TTL	Yes	No	Ivory	V3A-4K
—	R	—	—	—	No	TTL	No	No	Ivory	V3A-4
R	R	—	—	—	No	TTL	No	No	Ivory	V3A-6
—	R	R	—	—	No	TTL	No	No	Ivory	V3A-7

Note: Cable harness is included with all V3B models. It is optional for V3A.

■ ACCESSORIES

Item		Part Number
Cable harnesses	V3A-1	V3A/B-1 CN Harness
	V3A-4	V3A-4 CN Harness
	V3A-6, 7	V3A/B-6/7 CN Harness
Cover	V3A-1,2,4,6,7	V3A Cover

TYPICAL APPLICATIONS

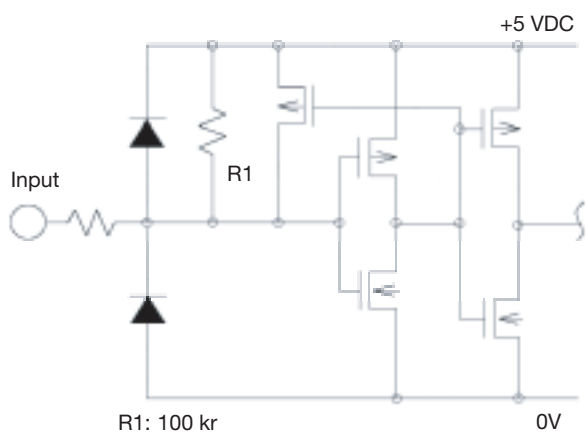
- Point-of-Sale (POS) systems
- ID card checkers
- Club membership
- Access management
- Remote terminals for computers

Specifications

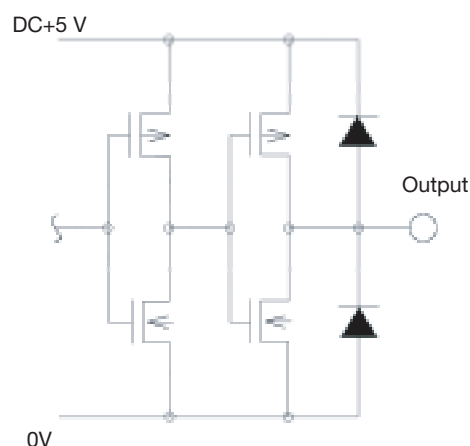
Part Number		V3A-□□
Recommended card type	Magnetic card	ISO 7810, 7811/1-6
Recording method		FM decoding (F2F)
Card feedingspeed		10 to 120 cm/second(10 to 100 cm/sec tripletrack)
Service life of magnetic head		300,000 passes
Operating power supply		+5 VDC r10%
Current consumption	Single track	3 mA typical, 5 mA maximum
	Dual track	6 mA typical, 10 mA maximum
	Triple track	9 mA typical, 15 mA maximum
Mounting location		Indoors—away from direct sunlight or wet, humid environment
Ambient temperature	Operation	-10° to 55° C (14° F to 131° F)
	Storage	-30° to 70° C (-22° F to 158° F)
Ambient humidity,	Operation	30% to 85% RH
	Storage	20% to 90% RH
Vibration		10 to 150 Hz, single vibration width of 0.15 mm
Shock		Peak acceleration 19.6 m/sec ²
Dimensions	With cover	90 W x 26.5 H x 28 D mm (3.54 W x 1.04 H x 1.10 D in)
	Without cover	90 W x 24 H x 24 D mm (3.54 W x 0.94 H x 0.94 D in)
Weight		Approx. 45g with cover (30g without cover)

Engineering Data

INPUT CIRCUIT DIAGRAM



OUTPUT CIRCUIT DIAGRAM



■ I/O INFORMATION

Single Track Connector

9-pin Molex connector part number 53261-0990. Applicable Molex socket housing part number 51021-0900.

Pin #	Signal	Input/Output	Description
1	0 V	—	—
2	+5 VDC	—	—
3	\overline{CSV}	Input	Current save
4	\overline{CLS}	Output	Card loaded
5	\overline{RCP}	Output	Read clock
6	\overline{RDP}	Output	Read data
7	Not used	—	—
8	Not used	—	—
9	Not used	—	—

Double Track Connector

9-pin Molex connector part number 53261-0990. Applicable Molex socket housing part number 51021-0900.

Pin #	Signal	Input/Output	Description
1	0 V	—	—
2	+5 VDC	—	—
3	\overline{CSV}	Input	Current save
4	$\overline{CLS2}$	Output	Card loaded 2
5	$\overline{RCP2}$	Output	Read clock 2
6	$\overline{RDP2}$	Output	Read data 2
7	$\overline{CLS1/3}$	Output	Card loaded 1/3
8	$\overline{RCP1/3}$	Output	Read clock 1/3
9	$\overline{RDP1/3}$	Output	Read data 1/3

Triple Track Connector

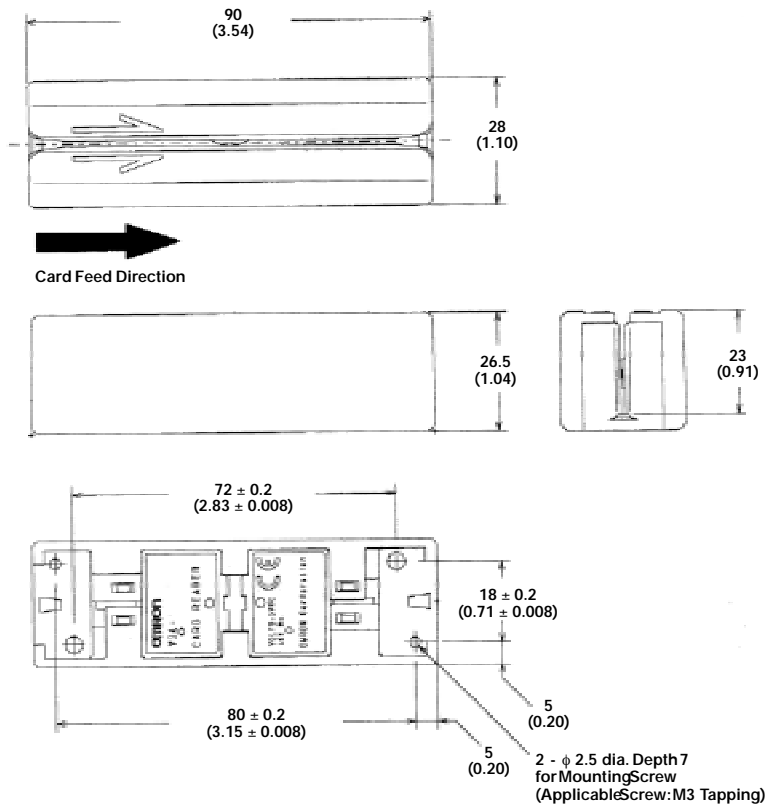
12-pin Molex connector part number 53048-1210. Applicable Molex socket housing part number 51021-1200.

Pin #	Signal	Input/Output	Description
1	0V	—	—
2	+5 VDC	—	—
3	\overline{CSV}	Input	Current save
4	$\overline{CLS3}$	Output	Card loaded 3
5	$\overline{RCP3}$	Output	Read clock 3
6	$\overline{RDP3}$	Output	Read data 3
7	$\overline{CLS2}$	Output	Card loaded 2
8	$\overline{RCP2}$	Output	Read clock 2
9	$\overline{RDP2}$	Output	Read data 2
10	$\overline{CLS1}$	Output	Card loaded 1
11	$\overline{RCP1}$	Output	Read clock 1
12	$\overline{RDP1}$	Output	Read data 1

Dimensions

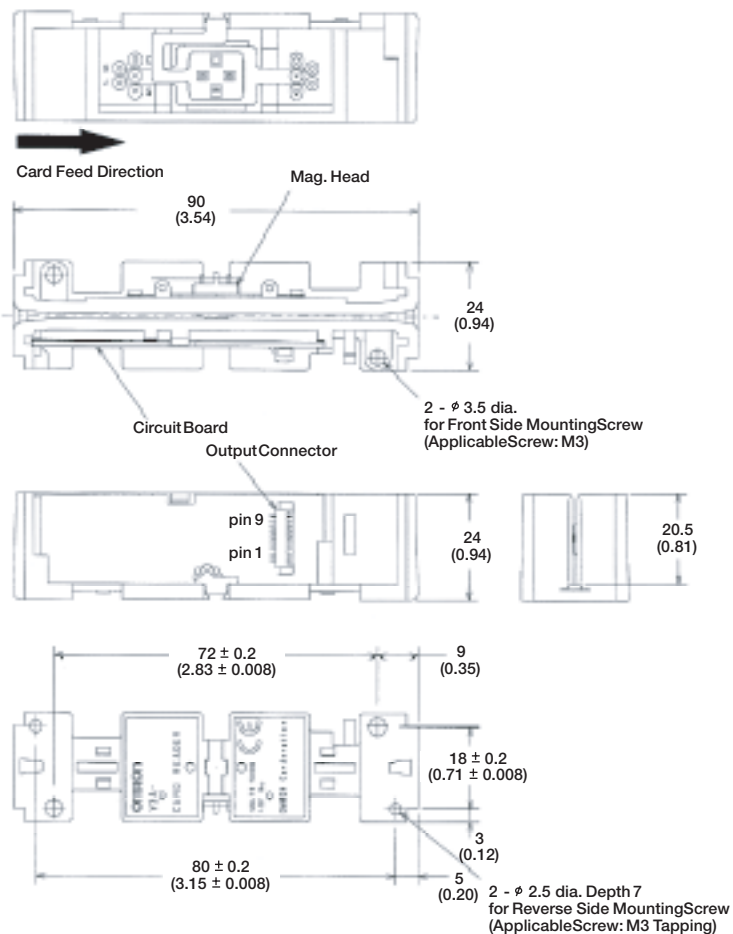
Unit:mm (inch)

■ V3A-4K



Note: Tolerances ± 0.3 mm unless specified

■ V3A-4



Note: Tolerances ±0.3mm unless specified



Card Business Promotion Division
 Card Reader Components Dept.
 ©OMRON Corporation
 Gate City Ohsaki, West Tower 14F 1-11-1, Ohsaki, Shinagawa-Ku Tokyo, 141-0032 JAPAN
 TEL. 81-3-5435-2012 FAX. 81-3-5435-2017

URL : <http://www.omron.com/card/cardreader>

CAT. No. IW-01

Contact our nearest representative at

©OMRON Corporation 2002

All Rights Reserved

• This catalog is valid as of April 2002.
 • Real products may slightly differ in color from catalog products, due to catalog printing methods.
 • All specifications may be subject to change without notice.