

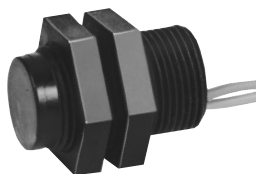
Honeywell

Interactive Catalog Replaces Catalog Pages

Honeywell Sensing and Control has replaced the PDF product catalog with the new **Interactive Catalog**. The **Interactive Catalog** is a power search tool that makes it easier to find product information. It includes more installation, application, and technical information than ever before.



**Click this icon to try the new
Interactive Catalog.**

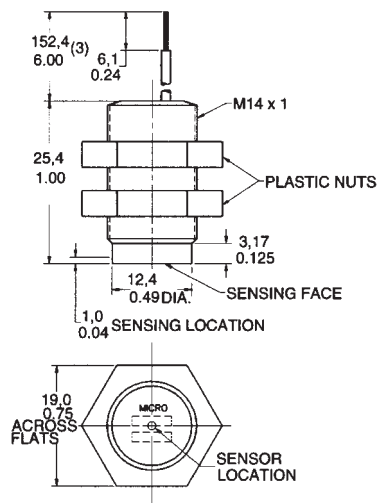


FEATURES

- Completely enclosed housing
- Color coded leadwires
- High speed, no-touch operation over 100 kHz possible
- Adjustable mounting
- Reverse polarity protection (bipolar listing)
- Meets NEMA 3, 3R, 3S, 4, 4X, 12 and 13 requirements
- Bushing is PBT (Valox 420 SEO) 30% glass filled

MOUNTING DIMENSIONS

(For reference only)

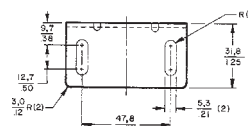
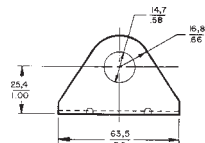


24AWG Leadwire color code:

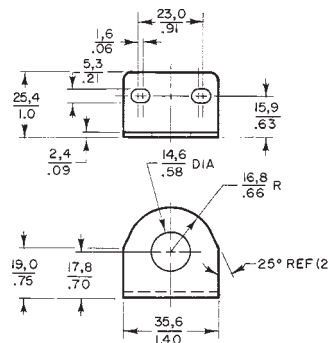
- Red Vs (+)
- Green Output
- Black Ground (-)

MOUNTING BRACKETS

1SR14M



1SR14MHD



SR3 ORDER GUIDE

| Catalog Listings | | SR3F-A1 | SR3B-A1 | SR3G-A1 | SR3C-A1 | SR4P2-A1 | | | | | | |
|------------------------------|-----------------|--------------|-------------|--------------|--------------|---------------|------|------|------|------|------|-----|
| Supply Voltage (VDC) | | 4.5 to 24 | 4.5 to 24 | 4.5 to 24 | 4.5 to 24 | 6 to 24 | | | | | | |
| Supply Current (mA max.) | | 18.0 | 15.0 | 22.0 | 19.0 | 13.5 | | | | | | |
| Output Type | | Sink | Sink | Sink | Sink | Sink | | | | | | |
| Output Voltage (V max.) | | 0.40 | 0.40 | 0.40 | 0.40 | 0.40 | | | | | | |
| Current per Output (mA max.) | | 10 | 10 | 10 | 10 | 20 | | | | | | |
| Magnetics Type | | Unipolar (1) | Bipolar (2) | Unipolar (1) | Unipolar (1) | Omnipolar (3) | | | | | | |
| Magnetic Char. & Temp. | -40 to 85°C | Max. Op. | G | mT | G | mT | G | mT | | | | |
| | | | 450 | 45.0 | 150 | 15.0 | 430 | 43.0 | 190 | 19.0 | 25 | 2.5 |
| | (-40 to +185°F) | Min. Rel. | 170 | 17.0 | -150 | -15.0 | 160 | 16.0 | 60 | 6.0 | 5 | 0.5 |
| | | | Min. Dif. | 20 | 2.0 | 40 | 4.0 | 50 | 5.0 | 10 | 1.0 | 7 |
| | 25°C (+77°F) | Typ. Op. | 400 | 40.0 | 90 | 9.0 | 350 | 35.0 | 150 | 15.0 | 15 | 1.5 |
| | | | Typ. Rel. | 185 | 18.5 | -90 | -9.0 | 280 | 28.0 | 100 | 10.0 | 11 |
| Typical | | Typ. Dif. | 20 | 2.0 | 80 | 8.0 | 70 | 7.0 | 30 | 3.0 | 4 | 0.4 |

(1) A unipolar sensor has a plus maximum operate point and a plus minimum release point. One magnetic pole (south) is required to operate and release a unipolar sensor.

(2) A bipolar sensor has a plus (south pole) maximum operate point and a minus (north pole) minimum release point. Operate and release points can be both positive, or both negative. **Latching cannot be guaranteed.** Ring magnets are usually used with bipolar sensors.

(3) An omnipolar sensor operates with any magnetic field (north or south pole).

(4) Operating characteristics are from -20°C to +85°C for SR4P2-A1.

(5) To order 1 meter jacketed leads, replace the 1 at end of listing with a 2.

Example: SR3B-A2.

G = Gauss

mT = milliTesla