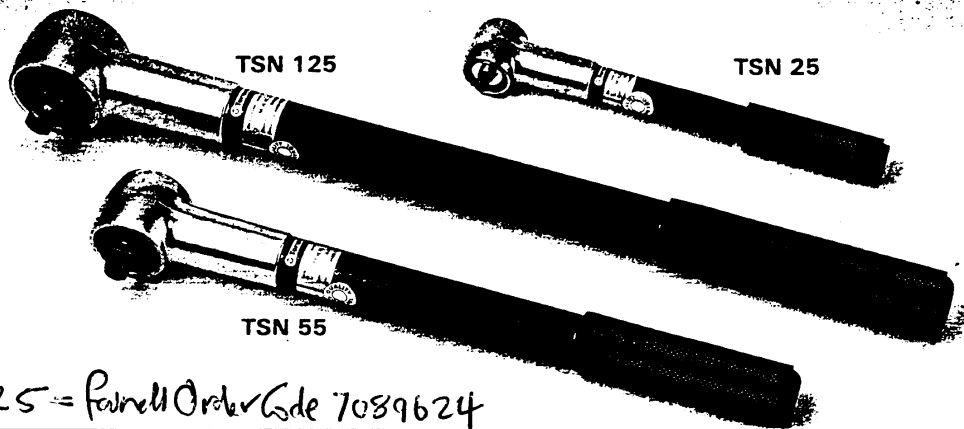


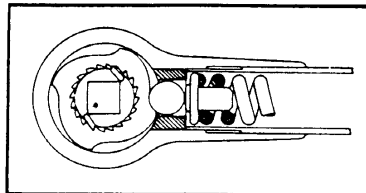
Torqueleader 'Torquesafe' Slipper Wrenches



*TSN 125 = Part No Order Code 7089624

- ★ Streamlined production torque wrenches designed for modern needs.
- 3 models covering ranges of 3-125 N-m and 2-90 lbf-ft to suit the majority of volume production torque requirements.
- Accuracy $\pm 5\%$ repeatable. Guarantees equal tightness every time.
- Lightweight – less fatigue for the operator encourages use.
- Wrenches 'slip' when predetermined torque setting is reached – completely eliminates overtightening.
- Automatic resetting is signalled by an audible 'click' allowing fast continuation of work.
- 'Torque Safe' wrenches incorporate a fully supported ratchet with effectively 36 teeth on TSN 25 and 48 on TSN 55 and TSN 125 – giving smooth, positive torque control, even in confined spaces.
- Strong corrosion-resistant stainless steel head, plastic coated handle and non-slip knurled grip.

| MODEL | [Icon] | → | | [Icon] | [Icon] | | [Icon] | |
|---------|--------|--------|--------|--------|--------|-------|--------|------|
| | | N-m | lbf-ft | | (Inch) | mm | in | kg |
| TSN 25 | 011000 | 3-25 | 2-18 | 1/4 | 216 | 8.5 | 0.34 | 0.75 |
| TSN 55 | 011020 | 15-55 | 10-40 | 3/8 | 324 | 12.75 | 0.80 | 1.75 |
| TSN 125 | 011040 | 40-125 | 30-90 | 1/2 | 460 | 18.13 | 1.36 | 3.0 |

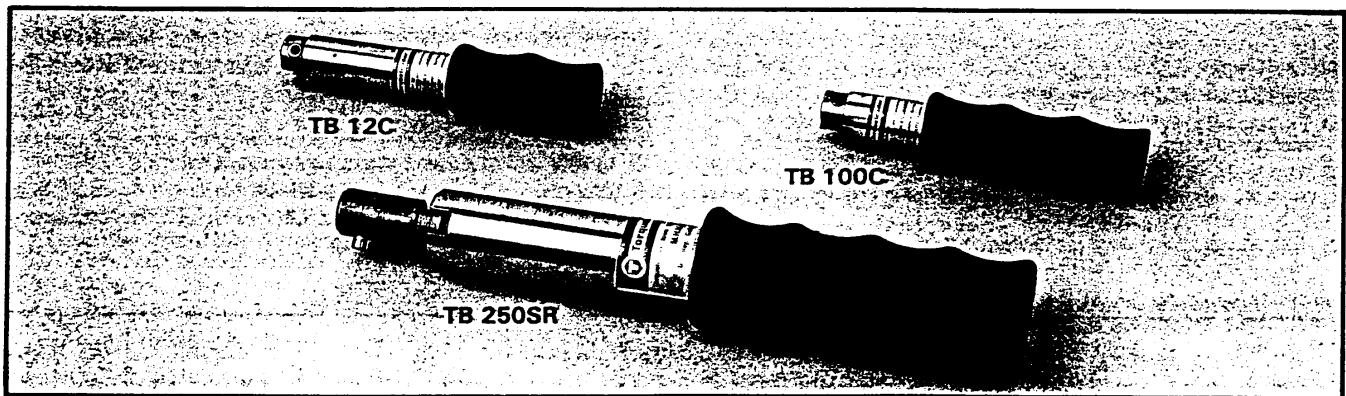


Working principle of Torqueleader Torque Safe



Setting a TSN125 on a Torqueleader Static Torque Meter

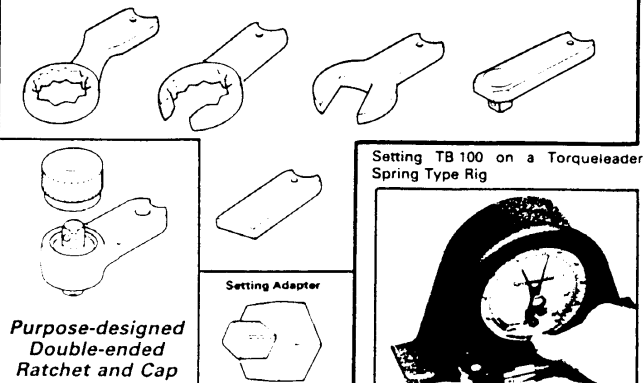
Torqueleader 'Breaking' Torque Handles



- Production, lever type wrenches for applying low torque values.
- Ideal for use in restricted spaces – suitable for most light electro/mechanical/electronic applications.
- Compact, well balanced and strong for unskilled users.
- Breaking Torque Handles 'break' at predetermined torque value to give movement in either direction – 90° with TB 12 & TB 100 and 20° with TB 250 SR – then reset on returning to in-line position.
- Extensive range of interchangeable end fittings available.
- Special end fittings can be made to order, to comply with individual requirements.

| MODEL | [Icon] | → | | [Icon] | [Icon] | | [Icon] | |
|---------|--------|---------|----------|-----------|--------|-------|--------|--------|
| | | lbf-in | kgf-cm | | N-m | mm | in | gm |
| TB12C | 011100 | 1.25-12 | 1.4-14 | 0.14-1.36 | 105 | 4 1/8 | 100 | 3 1/2 |
| TB100C | 011200 | 10-100 | 11.5-115 | 1-11 | 105 | 4 1/8 | 120 | 4 1/4 |
| TB250SR | 011300 | 80-250 | 90-300 | 9-30 | 185 | 7 1/4 | 350 | 12 1/4 |

Interchangeable end fittings for use with 'Breaking' Torque Handles



Purpose-designed Double-ended Ratchet and Cap

Setting TB 100 on a Torqueleader Spring Type Rig

