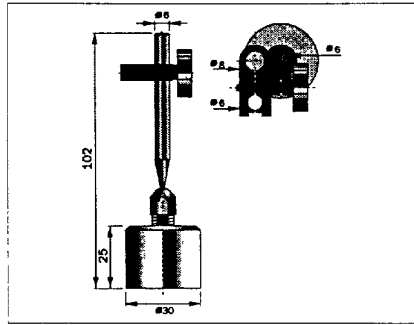


457-450

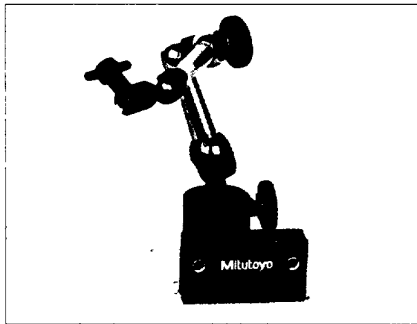
Magnetic Stands



No.	Suitable Stem Dia.
7014	6mm, 8mm Dovetail Groove

- Mini Magnetic Stand
- Designed for maximum flexibility in positioning
- Strong permanently magnetic base

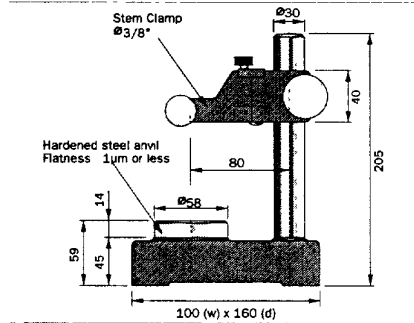
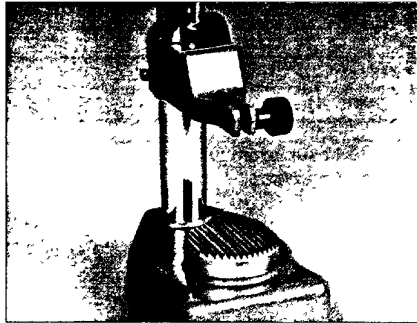
Magnetic Stands



No.	Suitable Stem Dia.
7081	8mm Dovetail Groove

- Magnetic Stand for Dial Indicators
- Uni-Joint Type construction.
- Strong permanently magnetic base

Dial Gauge Stand

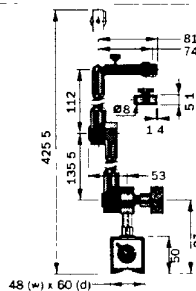
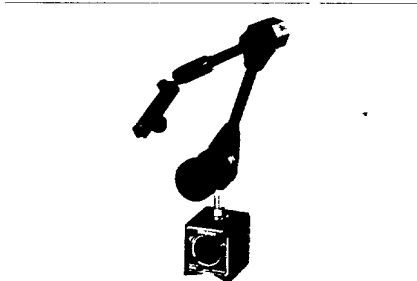


Height Capacity	No.	Fine Adjustment	Stem Dia.	1
100mm	7003	2mm	3/8"	205
300mm	519-109E	2mm	3/8"	430

- With serrated Anvil
- Gauging Stand for Dial Indicators, Digimatic Indicators and Linear Gauges
- Can mount Dial Indicator with a lug

- Optional Accessories
- 206983** Reducing sleeve for fitting 8mm Stem Indicators
 - 101461** Flat Anvil
 - 101462** Serrated Anvil (standard)
 - 101463** Domed Anvil
 - 101464** Anvil Screws

Uni-Joint Stand



No.	Suitable Stem Dia.
7019	8mm/3/8" Dovetail Groove

- Uni-Joint Stand combines the mobility of the flexible stand with the rigidity of the conventional stand
- Indicator can be fixed in any position by means of hydraulic clamping
- On/Off lever to release magnet