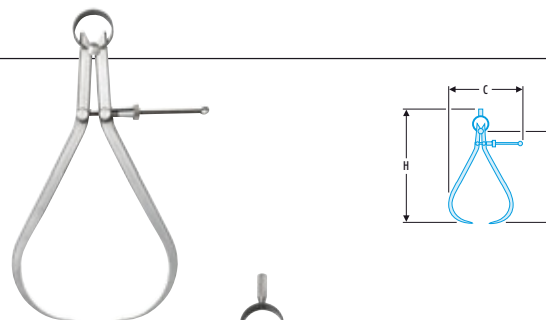


## DELA.1903 Outside calipers

☞	L mm	H mm	B mm	C mm	$\Delta\Delta$ g
DELA.1903.06	200	230	200	140	180
DELA.1903.07	250	280	250	165	210
DELA.1903.08	300	330	300	200	255

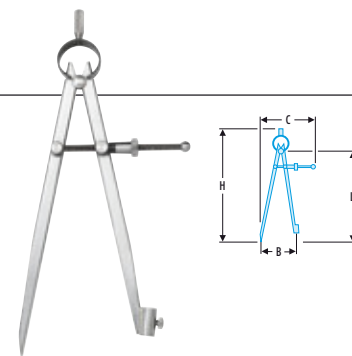


## Pencil compass

## DELA.1905.05

- Pencil  $\varnothing$  8 mm.

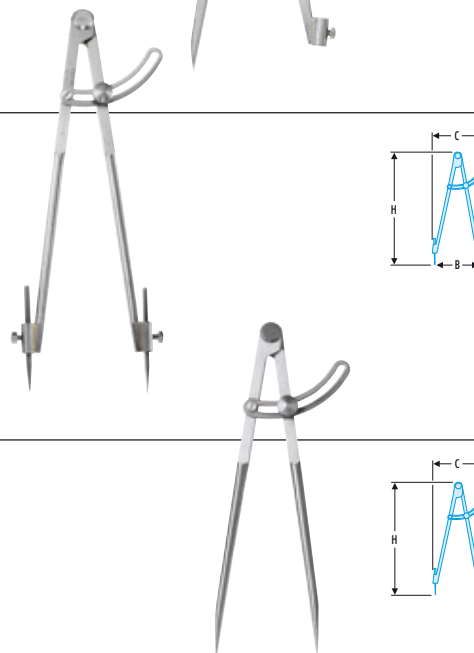
☞	L mm	H mm	B mm	C mm	$\Delta\Delta$ g
DELA.1905.05	250	300	250	125	210



## 823 Wing dividers

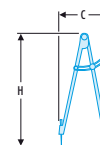
- Straight, rigid, polished steel legs, interchangeable hardened points.

☞	☞ Points only	H mm	B mm	C mm	$\Delta\Delta$ g
823.19	823.19SE1	190	220	70	235
823.25	823.25SE1	250	300	94	370



## DELA.1908 Point wing dividers

☞	H mm	B mm	C mm	$\Delta\Delta$ g
DELA.1908.03	220	220	68	180
DELA.1908.04	250	250	68	190



## ► Scribes

## Steel scriber

## 234

- Hardened chrome-vanadium steel tips.
  - Tip  $\varnothing$  4 mm.
  - Length 190 mm.
  - Polished chrome finish.
- $\Delta\Delta$  : 20 g.



## Scriber with interchangeable steel tips

## 234.S

- Hardened HSS tips.
  - Tips  $\varnothing$  4 mm.
  - Body  $\varnothing$  8 mm.
  - Length 260 mm.
- $\Delta\Delta$  : 58 g.



☞	Description
234.SP2	Set of 2 spare tips.