



Model Number

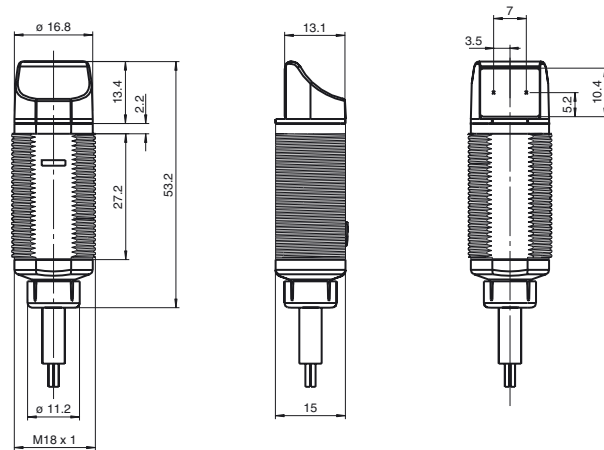
GD18-S/GV18-S/59/102/115

Thru-beam sensor
with 2 m fixed cable

Features

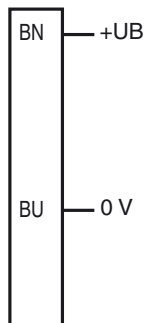
- Short design in M18 plastic housing
- Optical face lateral
- 4 LEDs indicator for 360° all-round visibility
- Optimal price/power ratio

Dimensions

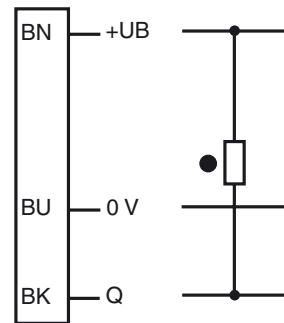


Electrical connection

Emitter



Receiver



- = Light on
- = Dark on

Release date: 2008-01-30 16:33 Date of issue: 2008-01-30 190528_ENG.xml

Additional accessories can be found in the Internet.

Subject to reasonable modifications due to technical advances.

Copyright Pepperl+Fuchs, Printed in Germany

Pepperl+Fuchs Group • Tel.: Germany +49 621 776-0 • USA +1 330 4253555 • Singapore +65 67799091 • Internet <http://www.pepperl-fuchs.com>

Technical data

General specifications

Effective detection range	0 ... 12 m
Threshold detection range	17.5 m
Light source	LED, red 640 nm
Approvals	CE, cULus Listed 57M3 (Only in association with UL Class 2 power supply)
Light type	red, modulated light
Diameter of the light spot	approx. 650 mm at 17.5 m
Angle of divergence	approx. 2 °
Optical face	lateral
Ambient light limit	30000 Lux

Indicators/operating means

Operating display	green LED, statically lit Power on
Function display	Receiver: LED yellow, lights up when light beam is unblocked, flashes when falling short of the stability control ; OFF when light beam is interrupted

Electrical specifications

Operating voltage	10 ... 30 V DC
Protection class	II, rated insulation voltage U_i 250 V AC with degree of pollution 1-2 according to IEC 60664-1
No-load supply current I_0	< 20 mA

Output

Switching type	dark ON
Signal output	1 npn, short-circuit proof, open collector
Switching voltage	max. 30 V DC
Switching current	max. 100 mA
Voltage drop U_d	≤ 1.5 V DC
Switching frequency f	500 Hz
Response time	≤ 1 ms

Standard conformity

Standards	EN 60947-5-2
-----------	--------------

Ambient conditions

Ambient temperature	-25 ... 60 °C (248 ... 333 K)
Storage temperature	-40 ... 70 °C (233 ... 343 K)

Mechanical specifications

Protection degree	IP67
Connection	fixed cable 2 m
Material	
Housing	PC
Optical face	PMMA
Mass	< 100 g

