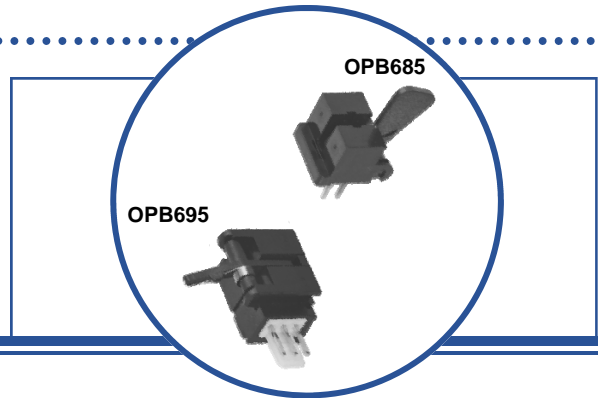


Photologic® Optical Flag Switch
OPB685, OPB685-3, OPB686, OPB687, OPB688
OPB695, OPB696, OPB697, OPB698 Series



Features:

- Photologic® output
- Four output options
- Mechanical switch replacement
- Printed circuit board mounting (OPB685 Series)
- 2.5mm, 3-pin connector mates with Molex connector 5051 series housing and 4809 series terminal for OPB695 Series



Description:

Each **OPB685** and **OPB695** series flag switch consists of an infrared emitting diode and a monolithic integrated circuit that incorporates a photodiode, a linear amplifier and a Schmitt trigger. A lever arm actuated flag interrupts the light beam, which switches the output between states that can readily drive logic gates.

The **OPB695** series is designed to easily snap mount into a 0.037" ± 0.001" (0.940 mm ± 0.025 mm) thick material with a rectangular opening of 0.320" ± 0.003" x 0.472" (8.13 mm x 11.99 mm) minimum. Insertion into the punched side of metal is recommended.

Devices in these series feature TTL/LSTTL compatible logic level output that can drive up to 10 TTL loads over a voltage range from 4.5 V to 16 V.

Customized lever arms and spring torques can be designed for specific applications for each of the devices.

Custom electrical, wire, cabling and connectors are available. Contact your local representative or OPTEK for more information.

Applications:

- Mechanical switch replacement
- Speed indication (tachometer)
- Mechanical limit indication
- Edge sensing

| Ordering Information | | | | | |
|----------------------|---------------------|---------------------|-------------------------|---|------------------|
| Part Number | LED Peak Wavelength | Sensor Photologic® | Flag Travel Degrees Max | Lead Length / Spacing or Connector | |
| OPB685 | 890 nm | 10K Pull-Up | 59° | 0.100" / 0.275" | |
| OPB686 | | Open Collector | | | |
| OPB687 | | Inv. 10K Pull-Up | | | |
| OPB688 | | Inv. Open Collector | | | |
| OPB695AZ | | 10K Pull-Up | 70° | Mates with 3 Pin—Molex 5051 (22-01-1032) Housing & 4809 (08-70-0069) Terminals | |
| OPB695BZ | | | | | |
| OPB695CZ | | | | | |
| OPB696AZ | | | | | |
| OPB696BZ | | | | | Open Collector |
| OPB696CZ | | | | | |
| OPB697AZ | | | | | |
| OPB697BZ | | | | | Inv. 10K Pull-Up |
| OPB697CZ | | | | | |
| OPB698AZ | | Inv. Open Collector | | | |
| OPB698BZ | | | | | |
| OPB698CZ | | | | | |



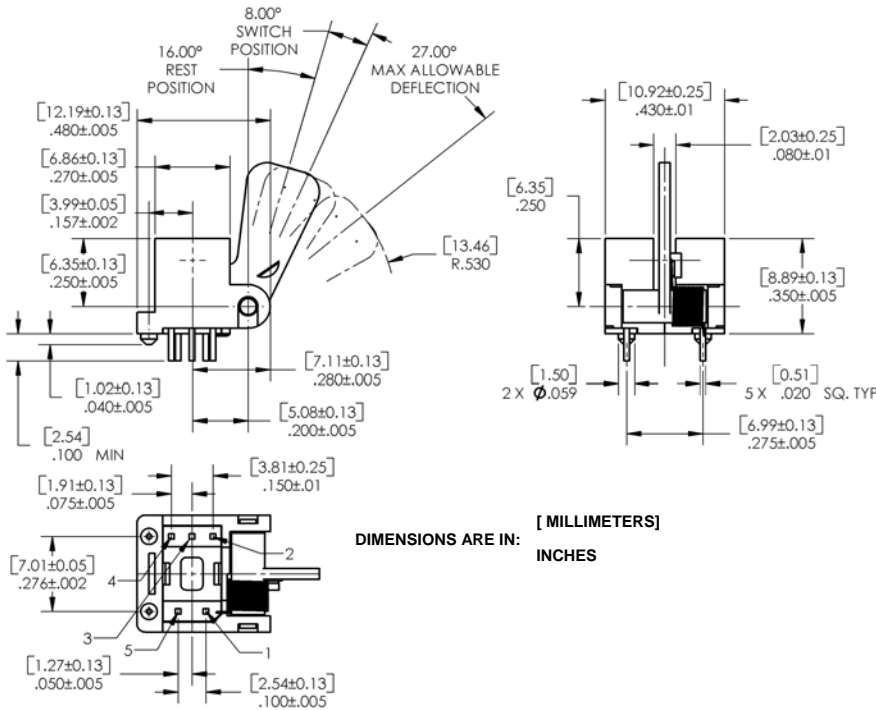
RoHS

OPTEK reserves the right to make changes at any time in order to improve design and to supply the best product possible.

Photologic® Optical Flag Switch
OPB685, OPB685-3, OPB686, OPB687, OPB688
OPB695, OPB696, OPB697, OPB698 Series



OPB685, OPB685-3, OPB686, OPB687, OPB688

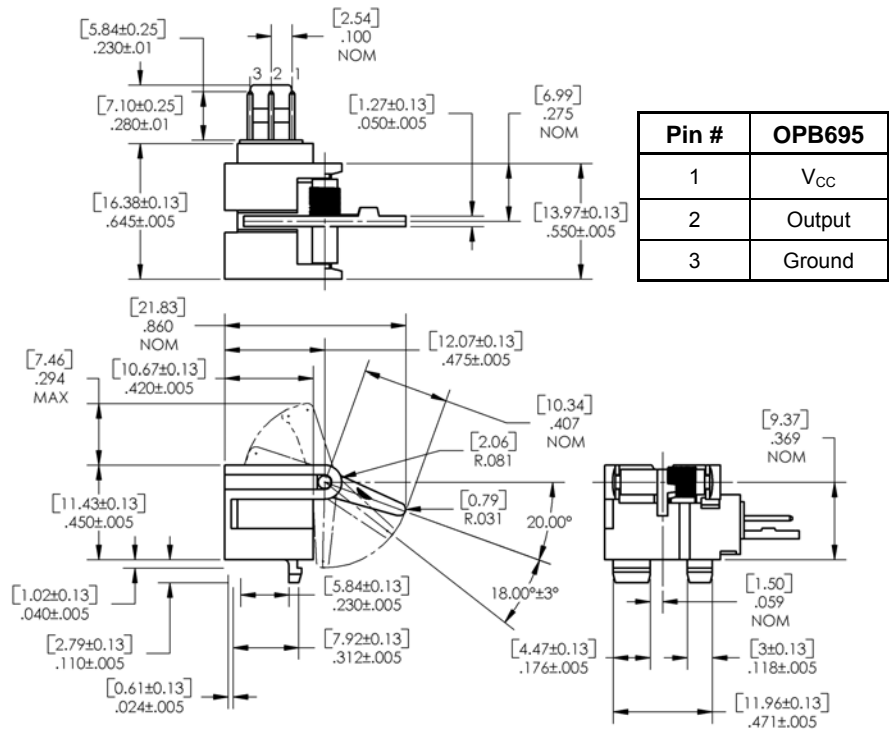


| Pin # | Description |
|-------|-----------------|
| 1 | Anode |
| 5 | Cathode |
| 2 | Ground |
| 3 | Output |
| 4 | V _{CC} |

OPB695, OPB696, OPB697, OPB698

| Part Number | Max. Torque (Grams) |
|-------------|---------------------|
| OPB685 | 1.5 |
| OPB685-3 | 3.0 |
| OPB686 | 1.5 |
| OPB687 | 1.5 |
| OPB688 | 1.5 |
| OPB695 | 1.5 |
| OPB696 | 1.5 |
| OPB697 | 1.5 |
| OPB698 | 1.5 |

Torque is measured at the end of the arm from the resting position to the switching point of the flag



| Pin # | OPB695 |
|-------|-----------------|
| 1 | V _{CC} |
| 2 | Output |
| 3 | Ground |

OPTEK reserves the right to make changes at any time in order to improve design and to supply the best product possible.

Photologic® Optical Flag Switch
OPB685, OPB685-3, OPB686, OPB687, OPB688
OPB695, OPB696, OPB697, OPB698 Series



Absolute Maximum Ratings ($T_A=25^\circ\text{C}$ unless otherwise noted)

| | |
|--|-----------------|
| Storage & Operating Temperature Range | -40°C to +100°C |
| Lead Soldering Temperature [1/16 inch (1.6mm) from the case for 5 sec. with soldering iron] ⁽¹⁾ | 260°C |

Input Diode

| | |
|--|--------|
| Supply Voltage, V_{CC} (not to exceed 3 seconds) | 50 mA |
| Input Diode Power Dissipation | 3 A |
| Output Photologic® Power Dissipation | 3 V |
| Total Device Power Dissipation ⁽²⁾ | 100 mW |

Output Photologic®

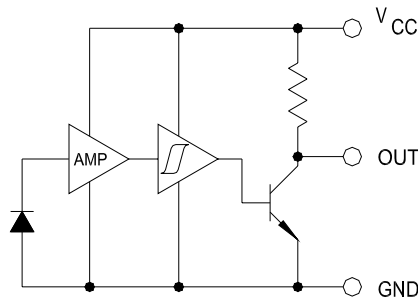
| | |
|--------------------------------------|----------|
| Supply Voltage, V_{CC} | 18 V |
| Duration of Output Short to V_{CC} | 1 second |
| Voltage at Output | 30 V |
| Low Level Output Current (sinking) | 16 mA |
| Power Dissipation ^{(3) (4)} | 240 mW |

Notes:

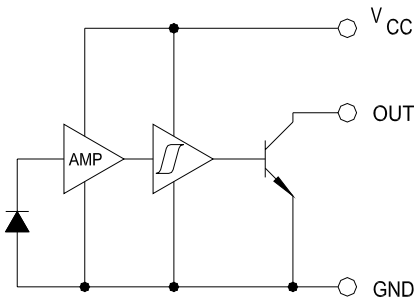
- (1) RMA flux is recommended. Duration can be extended to 10 seconds maximum when flow soldering.
- (2) Derate linearly 1.33 mW/°C above 25° C.
- (3) Derate linearly 2.00 mW/°C above 25° C (OPB680, OPB680-20, OPB690Z).
- (4) Derate linearly 2.50 mW/°C above 25° C (OPB685, OPB686, OPB687, OPB688, OPB695, OPB696, OPB697, OPB698).

OPB685 and OPB695 Series

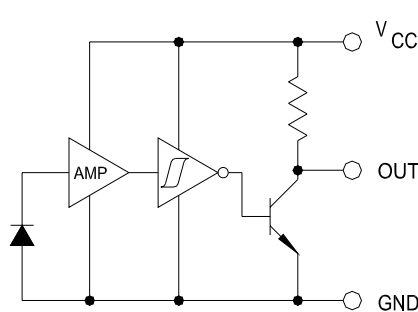
OPB685, OPB695 Buffered 10K Pull-Up



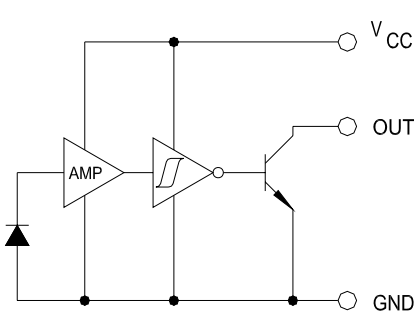
OPB686, OPB696 Buffered Open-Collector



OPB687, OPB697 Inverted 10K Pull-Up



OPB688, OPB698 Inverted Open-Collector



OPTEK reserves the right to make changes at any time in order to improve design and to supply the best product possible.

Photologic® Optical Flag Switch
OPB685, OPB685-3, OPB686, OPB687, OPB688
OPB695, OPB696, OPB697, OPB698 Series



Electrical Characteristics ($T_A = 25^\circ\text{C}$ unless otherwise noted)

| SYMBOL | PARAMETER | MIN | TYP | MAX | UNITS | TEST CONDITIONS |
|--------|-----------|-----|-----|-----|-------|-----------------|
|--------|-----------|-----|-----|-----|-------|-----------------|

Input Diode

| | | | | | | |
|-------|-----------------|---|---|-----|---------------|----------------------|
| V_F | Forward Voltage | - | - | 1.6 | V | $I_F = 10\text{ mA}$ |
| I_R | Reverse Current | - | - | 100 | μA | $V_R = 3\text{ V}$ |

Output Photologic® Sensor

| | | | | | | | |
|-----------|---|---|--------------------------|-----------------------------|--------------------------|---------------|--|
| V_{CC} | Operating DC Supply Voltage OPB685 Series OPB695-698A OPB695-698B OPB695-698C | 4.5 4.5 8.0 13.5 | - 5.0 12.0 15.0 | 16.0 8.0 13.5 16.0 | V | | |
| I_{CC} | Operating DC Supply Current OPB695-698A/B/C | - | 20 | 30 | mA | | |
| I_{CCL} | Low Level Supply Current: Buffered 10k Pull-Up Buffered Open-Collector | OPB685 OPB686 | - - | 5.5 4.0 | 12 12 | mA | $V_{CC} = 16\text{ V}, I_F = 0\text{ mA}$ (no load on output) |
| | Inverted 10k Pull-Up Inverted Open-Collector | OPB687 OPB688 | - - | 6.5 5.0 | 12 12 | mA | $V_{CC} = 16\text{ V}, I_F = 10\text{ mA}$ (no load on output) |
| I_{CCH} | High Level Supply Current: Buffered 10k Pull-Up Buffered Open-Collector | OPB685 OPB686 | - - | 5.0 | 12 | mA | $V_{CC} = 16\text{ V}, I_F = 10\text{ mA}$ (no load on output) |
| | Inverted 10k Pull-Up Inverted Open-Collector | OPB687 OPB688 | - - | 4.0 | 12 | mA | $V_{CC} = 16\text{ V}, I_F = 0\text{ mA}$ (no load on output) |
| V_{OL} | Low Level Output Voltage: Buffered 10k Pull-Up | OPB685 OPB686 | - - | - - | 0.4 0.4 | V | $V_{CC} = 4.5\text{ V}, I_{OL} = 16\text{ mA}, I_F = 0$ $V_{CC} = 4.5\text{ V to }8\text{ V}, I_{OL} = 16\text{ mA}$ |
| | Buffered Open-Collector | OPB695 OPB696A/B/C | - - | - - | 0.4 0.4 | V | $V_{CC} = 8.5\text{ V to }13\text{ V}, I_{OL} = 16\text{ mA}$ $V_{CC} = 13.5\text{ V to }16\text{ V}, I_{OL} = 16\text{ mA}$ |
| | Inverted 10k Pull-Up | OPB685 OPB686 | - - | - - | 0.4 0.4 | V | $V_{CC} = 4.5\text{ V}, I_{OL} = 16\text{ mA}, I_F = 0$ $V_{CC} = 4.5\text{ V to }8\text{ V}, I_{OL} = 16\text{ mA}$ |
| | Inverted Open-Collector | OPB695 OPB696A/B/C | - - | - - | 0.4 0.4 | V | $V_{CC} = 8.5\text{ V to }13\text{ V}, I_{OL} = 16\text{ mA}$ $V_{CC} = 13.5\text{ V to }16\text{ V}, I_{OL} = 16\text{ mA}$ |
| V_{OH} | High Level Output Voltage: Buffered 10k Pull-Up | | V_{CC} -1.5 | - | - | V | $I_{OH} = 100\text{ }\mu\text{A}, I_F = 10\text{ mA}$ |
| | Inverted 10k Pull-Up Inverted Open-Collector | | V_{CC} -1.5 | - | - | V | $I_{OH} = 100\text{ }\mu\text{A}, I_F = 0\text{ mA}$ |
| I_{OH} | High Level Output Current: Buffered Open-Collector | OPB686 OPB696A OPB696B OPB696C | - - - - | - - - - | 100 100 100 100 | μA | $V_{CC} = 16\text{ V}, I_F = 10\text{ mA}, V_{CH} = 30\text{ V}$ $V_{CC} = 4.5\text{ V to }8\text{ V}, V_{OH} = 30\text{ V}$ $V_{CC} = 8.5\text{ V to }13\text{ V}, V_{OH} = 30\text{ V}$ $V_{CC} = 13.5\text{ V to }16\text{ V}, V_{OH} = 30\text{ V}$ |
| | Inverted 10k Pull-Up | OPB688 | - | - | 100 | μA | $V_{CC} = 16\text{ V}, I_F = 10\text{ mA}, V_{CH} = 30\text{ V}^{(1)}$ $V_{CC} = 4.5\text{ V to }8\text{ V}, V_{OH} = 30\text{ V}^{(1)}$ $V_{CC} = 8.5\text{ V to }13\text{ V}, V_{OH} = 30\text{ V}^{(1)}$ $V_{CC} = 13.5\text{ V to }16\text{ V}, V_{OH} = 30\text{ V}^{(1)}$ |
| | | OPB698A | - | - | 100 | | |
| | | OPB698B | - | - | 100 | | |
| | | OPB698C | - | - | 100 | | |

Notes:

- (1) Test requires lever arm in "blocked" position.

OPTEK reserves the right to make changes at any time in order to improve design and to supply the best product possible.

Photologic® Optical Flag Switch
OPB685, OPB685-3, OPB686, OPB687, OPB688
OPB695, OPB696, OPB697, OPB698 Series



Electrical Characteristics ($T_A = 25^\circ\text{C}$ unless otherwise noted)

| SYMBOL | PARAMETER | MIN | TYP | MAX | UNITS | TEST CONDITIONS |
|--------|-----------|-----|-----|-----|-------|-----------------|
|--------|-----------|-----|-----|-----|-------|-----------------|

Output Photologic® Sensor (continued)

| | | | | | | |
|-----------------------|---|-----|-------------------|-----|---------------|--|
| $I_{F(+)}$ | LED Positive-Going Threshold Current OPB685-688 | 0.1 | 1.8 | 10 | mA | $V_{CC} = 5\text{ V}$ |
| $I_{F(+)} / I_{F(-)}$ | Hysteresis OPB685/688 | 1.0 | 1.2 | 1.6 | mA | $V_{CC} = 5\text{ V}$ |
| t_r, t_f | Rise Time, Fall Time | - | 30 | - | ns | $V_{CC} = 5\text{ V}$, $I_F = 0$ or 10 mA $R_L = 300\ \Omega$, DC = 50% $f = 10\text{ kHz}$ |
| t_{PLH}, t_{PHL} | Propagation Delay Low-High & High-Low: Buffer, 10k Pull-Up OPB685 | - | 1 _(LH) | - | μs | |
| | Buffer, Open-Collector OPB686 | - | 2 _(HL) | - | μs | |
| t_{PLH}, t_{PHL} | Inverter, 10k Pull-Up OPB687 | - | 2 _(LH) | - | μs | |
| | Inverter, Open-Collector OPB688 | - | 1 _(HL) | - | μs | |

Notes:

- (1) Test requires lever arm in "blocked" position.

OPTEK reserves the right to make changes at any time in order to improve design and to supply the best product possible.