

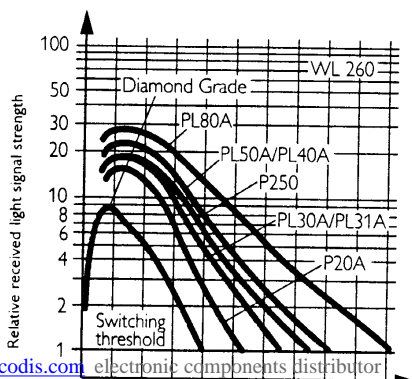
Scanning Range

0.01 to 5 m

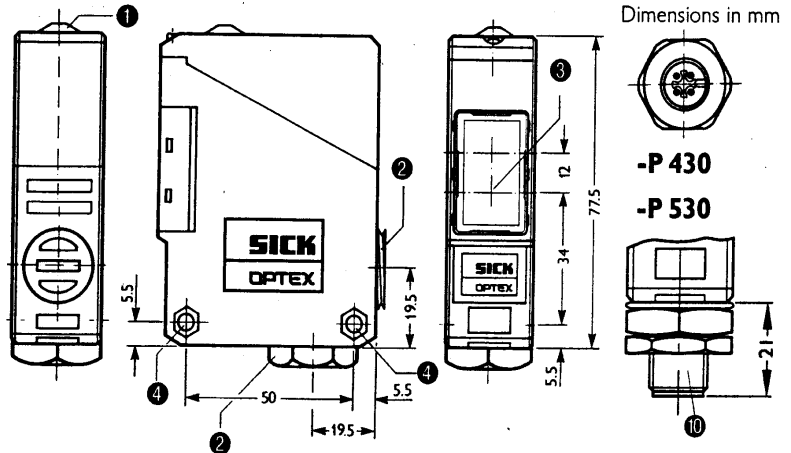


Features:

- Polarizing filter, enabling objects even with reflecting surfaces to be detected
- Light- or dark-switching, switch-selectable
- Adjustable sensitivity (DC)
- Blinking LED status indicator to show misalignment
- Switch-selectable time delays (AC)
- Output to signal dirt build-up on optics (DC)
- Two-position cable entry gland (90° apart)
- Glassfiber-reinforced plastic housing
- Transistor outputs, overload and short circuit protected
- Test input to test sensor on demand from remote location (DC)
- CE / UL / S



WL 260

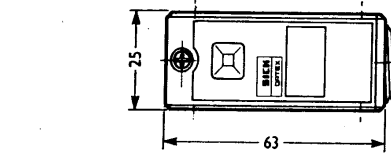
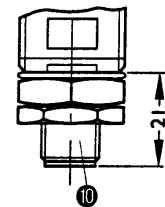


Dimensions in mm

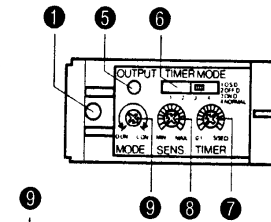


-P 430

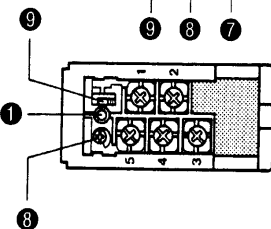
-P 530



-S/-R 230



-P 230



- 1 Status indicator
- 2 Cable entry gland, 1/2" PF thread, for cable diameters from 6 to 10 mm
- 3 Centre of optical axis
- 4 Mounting holes through enclosure, recessed on both sides for M5 hex nut
- 5 LED output indicator (WL 260-R)
- 6 Time-delay selector switch (WL 260-R)
1 ONE SHOT
2 OFF-delay
3 ON-delay
4 No time delay (NORMAL)
- 7 Time-delay control 0.1 to 5 s (WL 260-R)
- 8 Sensitivity control
- 9 Mode selector (light-/dark-switching)
- 10 M12 plug, 4-pin or 5-pin

For reflector P 250 (included), see page 280
 For mounting bracket (included), see page 282
 (For cable receptacles, see Accessories, page 286)

Connection Diagram

WL 260

-S/-R 230

-P 230

-P 430

-P 530

P

