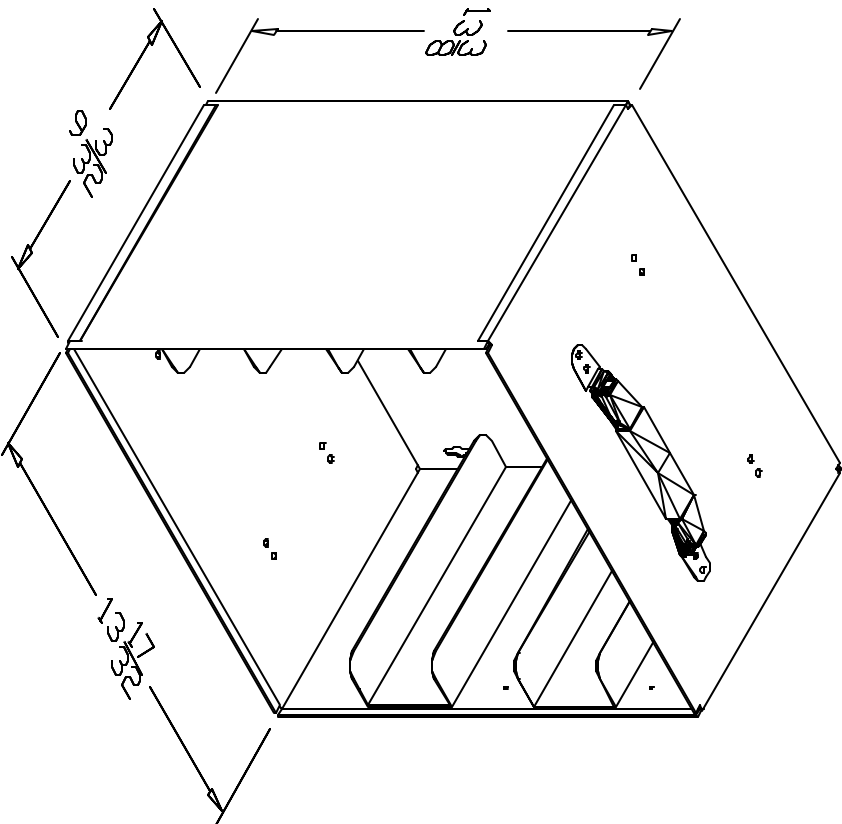


© COPYRIGHT 1998 BY SPC TECHNOLOGY. ALL RIGHTS RESERVED. NO PORTION OF THIS PUBLICATION, WHETHER IN WHOLE OR IN PART CAN BE REPRODUCED WITHOUT THE EXPRESS WRITTEN CONSENT OF SPC TECHNOLOGY.

REVISIONS		DOC. NO. SPC-F005, Total Pages: 2
DCP #	REV	Effective: 7/15/97, DCP No: 229 Supercedes DCP No: 103
15	A	RELEASED
418	B	ADD MATERIAL
		DRAWN DATE CHECKD DATE APPROVD DATE
		D.J.C. 3/13/97 J.C. 4/11/97 B.B. 11/10/97
		DJC 2/3/98 J.C. 2/9/98 J.C. 2/9/98



HOLDS 5 LARGE
PLASTIC COMPARTMENT
BOXES

MATERIAL: .023 CRS
COLOR: GRAY

DISCLAIMER
ALL STATEMENTS AND TECHNICAL INFORMATION CONTAINED HEREIN ARE BASED UPON INFORMATION AND/OR TESTS WE BELIEVE TO BE ACCURATE AND RELIABLE. SINCE CONDITIONS OF USE ARE BEYOND OUR CONTROL, THE USER SHALL DETERMINE THE SUITABILITY OF THE PRODUCT FOR THE INTENDED USE AND ASSUME ALL RISK AND LIABILITY WHATSOEVER IN CONNECTION THEREWITH.

ALL DIMENSIONS
ARE OUTSIDE
UNLESS OTHERWISE
SPECIFIED,
TOLERANCE DN:
FRACTIONS ± 1/64
DECIMALS ± 0.003

DRAWN BY:	DATE:
DANIEL CAREY	3/13/97
CHECKED BY:	DATE:
JOHN COLE	4/11/97
APPROVED BY:	DATE:
BRETT BRAATZ	11/10/97



SPC TECHNOLOGY

DRAWING TITLE:
LARGE PLASTIC COMPARTMENT BOX RACK

SIZE	DWG. NO.	ELECTRONIC FILE	REV
A	8537-0713	16N2337.DWG	B

SCALE: NTS U.O.M.: INCHES SHEET: 1 OF 1