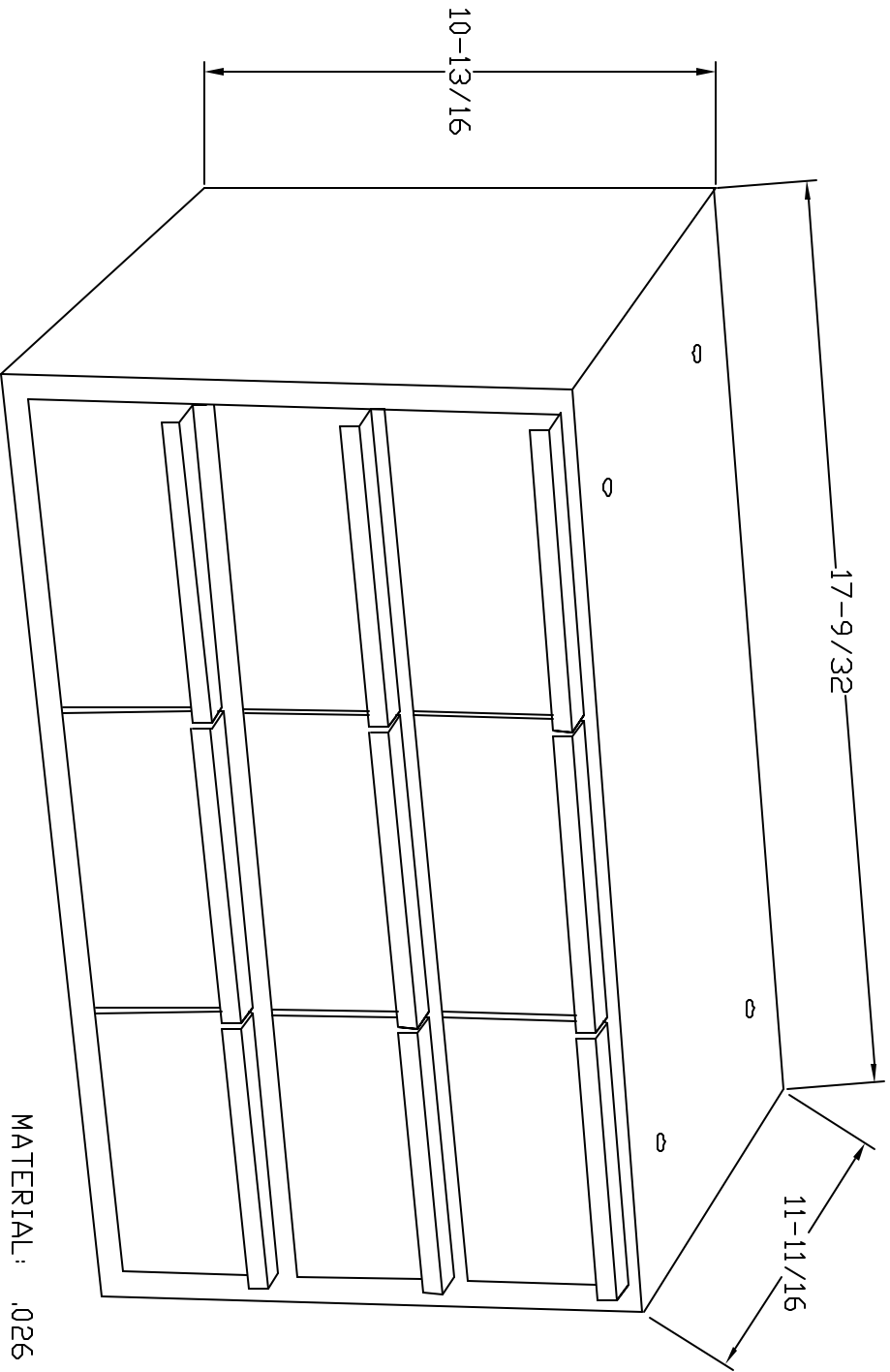


© COPYRIGHT 1997 BY SPC TECHNOLOGY. ALL RIGHTS RESERVED. NO PORTION OF THIS PUBLICATION, WHETHER IN WHOLE OR IN PART CAN BE REPRODUCED WITHOUT THE EXPRESS WRITTEN CONSENT OF SPC TECHNOLOGY.

REVISIONS		DOC. NO. SPC-F005, Total Pages: 2						
DCP #	REV	DESCRIPTION	DRAWN	DATE	CHECKD	DATE	APPRVD	DATE
15	A	RELEASED	D.J.C.	11/8/97	J.C.	2/2/98	B.B.	2/3/98



MATERIAL: .026 CRS
COLOR: GRAY



DISCLAIMER
ALL STATEMENTS AND TECHNICAL INFORMATION CONTAINED HEREIN ARE BASED UPON INFORMATION AND/OR TESTS WE BELIEVE TO BE ACCURATE AND RELIABLE. SINCE CONDITIONS OF USE ARE BEYOND OUR CONTROL, THE USER SHALL DETERMINE THE SUITABILITY OF THE PRODUCT FOR THE INTENDED USE AND ASSUME ALL RISK AND LIABILITY WHATSOEVER IN CONNECTION THEREWITH.

ALL DIMENSIONS ARE OUTSIDE UNLESS OTHERWISE SPECIFIED. TOLERANCE ± 1/64 FRACTIONS ± 0.003 DECIMALS

DRAWN BY:	DATE:
DANIEL CAREY	11/6/97
CHECKED BY:	DATE:
JOHN COLE	2/2/98
APPROVED BY:	DATE:
BRETT BRAATZ	2/3/98

DRAWING TITLE:		9 DRAWER CABINET	
SIZE	DWG. NO.	ELECTRONIC FILE	REV
A	2377	92N4481.DWG	A
SCALE:	NTS	U.O.M.: INCHES	SHEET: 1 OF 1