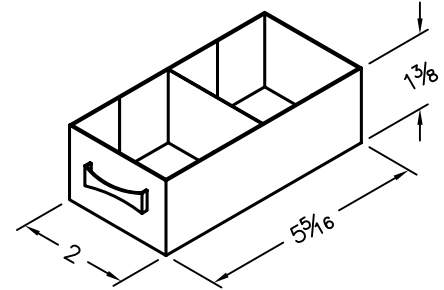
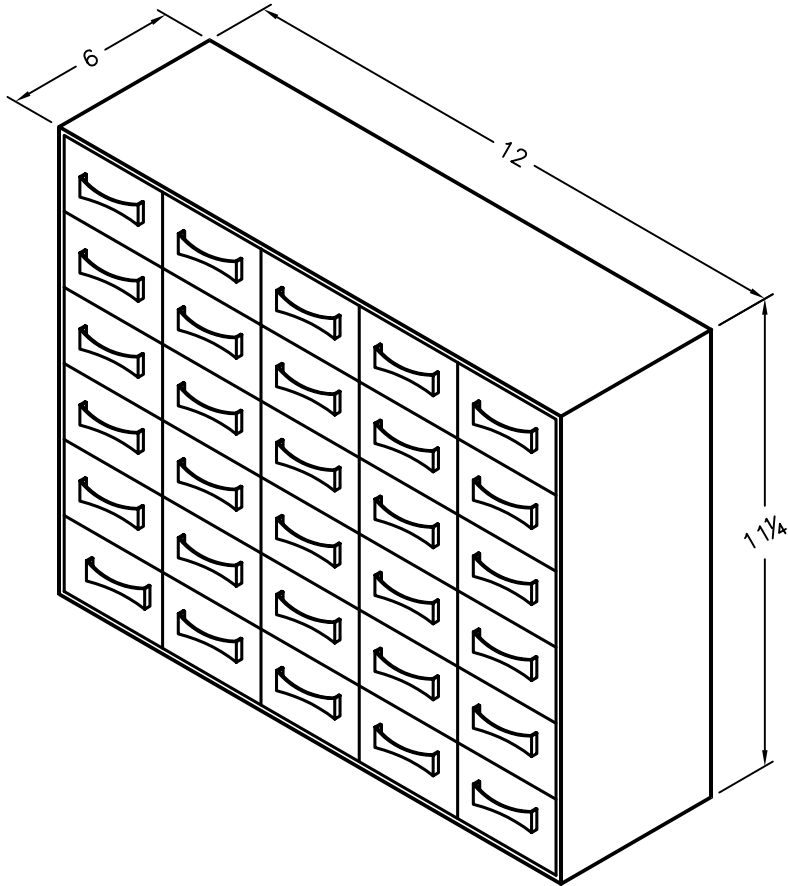


REVISIONS			DOC. NO. SPC-F004 * Effective: 7/8/02 * DCP No: 1398						
DCP #	REV	DESCRIPTION	DRAWN	DATE	CHECKD	DATE	APPRVD	DATE	
1090	A	RELEASED	HO	7/19/02	JC	7/19/02	DJC	7/19/02	
1487	B	Updated Dividers Qty	HO	1/14/03	DJC	1/14/03	DJC	1/14/03	



Drawer Quantity	Dividers Quantity
30	10

Notes:

- Drawers are not for sale as separate items
- Replacement dividers are sold in packs of 48 under SPC type number DSC-100A

SPECIFICATIONS:

- Material:
 - Frame: High density plastic, Gray
 - Drawers: Molded clear styrene resin for optimum visibility and speed retrieval on contents.
- Sturdy shell and drawer rail structure for extra strength
- This rugged cabinet can be stacked or wall mounted for greater storage flexibility.
- Cabinet features drawer stops to prevent accidental spills.

SPC-F004.DWG

TOLERANCES: UNLESS OTHERWISE SPECIFIED, DIMENSIONS ARE FOR REFERENCE PURPOSES ONLY.	DRAWN BY:	DATE:	DRAWING TITLE:				
	HISHAM ODISH	7/19/02	PLASTIC FRAME STORAGE CABINET, WITH 30 DRAWERS				
	CHECKED BY:	DATE:	SIZE	DWG. NO.	ELECTRONIC FILE	REV	
	JOHN COLE	7/19/02	A	SPC11296	34C7539.DWG	B	
APPROVED BY:	DATE:	SCALE:		U.O.M.: INCHES		SHEET: 1 OF 1	
DANIEL CAREY	7/19/02	NTS					

ALL RIGHTS RESERVED. NO PORTION OF THIS PUBLICATION, WHETHER IN WHOLE OR IN PART CAN BE REPRODUCED WITHOUT THE EXPRESS WRITTEN CONSENT OF SPC TECHNOLOGY. DISCLAIMER: ALL STATEMENTS AND TECHNICAL INFORMATION CONTAINED HEREIN ARE BASED UPON INFORMATION AND/OR TESTS WE BELIEVE TO BE ACCURATE AND RELIABLE. SINCE CONDITIONS OF USE ARE BEYOND OUR CONTROL, THE USER SHALL DETERMINE THE SUITABILITY OF THE PRODUCT FOR THE INTENDED USE AND ASSUME ALL RISK AND LIABILITY WHATSOEVER IN CONNECTION THEREWITH.