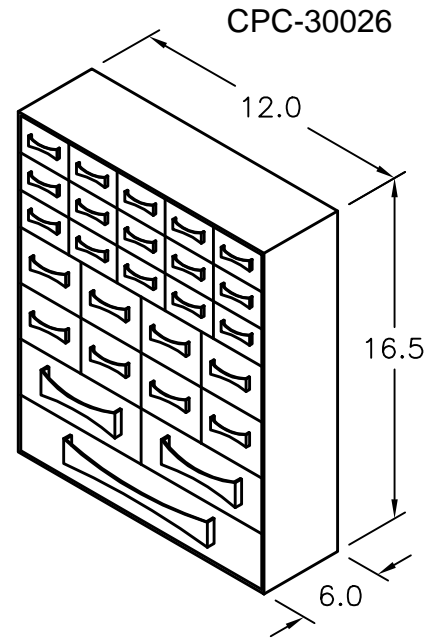
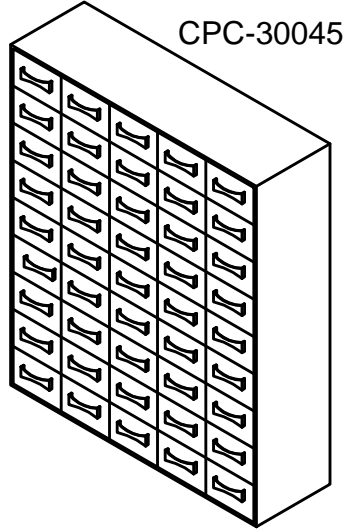
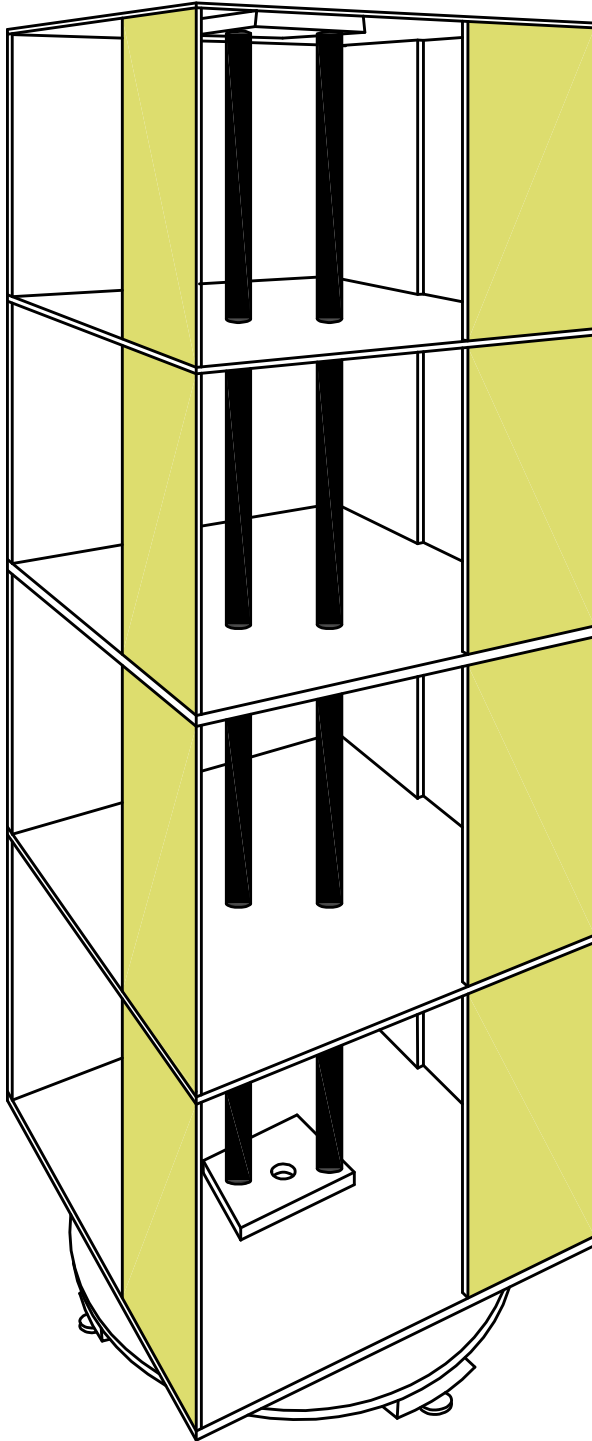


ALL RIGHTS RESERVED. NO PORTION OF THIS PUBLICATION, WHETHER IN WHOLE OR IN PART CAN BE REPRODUCED WITHOUT THE EXPRESS WRITTEN CONSENT OF SPC TECHNOLOGY.

| REVISIONS |     |             | DOC. NO. SPC-F004 * Effective: 12/21/98 * DCP No: 680 |         |        |         |        |         |
|-----------|-----|-------------|---|---------|--------|---------|--------|---------|
| DCP #     | REV | DESCRIPTION | DRAWN   | DATE    | CHECKD | DATE    | APPRVD | DATE    |
| 1090      | A   | RELEASED    | HYO   | 1/25/01 | JC     | 9/12/01 | DJC    | 9/21/01 |
|           |     |             |   |         |        |         |        |         |



**NOTES:**

1. 70 Inches high, uses 3 square feet
2. Package Weight: 33.0 Lbs.
3. The system should be connected to a ground connection with a pre-resistance of  $1M\Omega$  0.5W to protect users against current of more than 5mA.
4. Ground connection resistance should be  $\geq 1M\Omega$ , but  $\leq 100M\Omega$
3. Holds 16 cabinets of your choice each CPC-30045 or CPC-30026 (**Cabinets Sold Separately**)

SPC-F004.DWG

**DISCLAIMER:**  
ALL STATEMENTS AND TECHNICAL INFORMATION CONTAINED HEREIN ARE BASED UPON INFORMATION AND/OR TESTS WE BELIEVE TO BE ACCURATE AND RELIABLE. SINCE CONDITIONS OF USE ARE BEYOND OUR CONTROL, THE USER SHALL DETERMINE THE SUITABILITY OF THE PRODUCT FOR THE INTENDED USE AND ASSUME ALL RISK AND LIABILITY WHATSOEVER IN CONNECTION THEREWITH.



**SPC TECHNOLOGY**

UNLESS OTHERWISE SPECIFIED, DIMENSIONS ARE FOR REFERENCE PURPOSES ONLY.

|              |         |
|--------------|---------|
| DRAWN BY:    | DATE:   |
| HISHAM ODISH | 1/25/01 |
| CHECKED BY:  | DATE:   |
| JOHN COLE    | 9/12/01 |
| APPROVED BY: | DATE:   |
| DANIEL CAREY | 9/21/01 |

|  |                |                 |     |
|--|----------------|-----------------|-----|
| DRAWING TITLE:<br><b>CONDUCTIVE METAL ROTO TOWER</b> |                |                 |     |
| SIZE   | DWG. NO.       | ELECTRONIC FILE | REV |
| A  | 1706           | 92N3708.DWG     | A   |
| SCALE: NTS   | U.O.M.: INCHES | SHEET: 1 OF 1   |     |