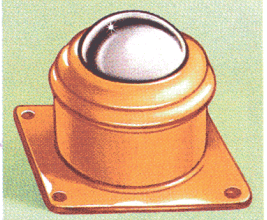


BASE FIXINGS - STANDARD RANGE

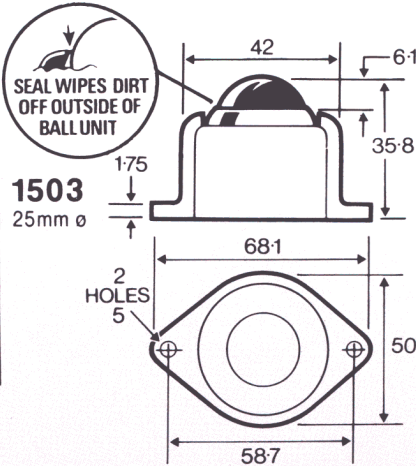
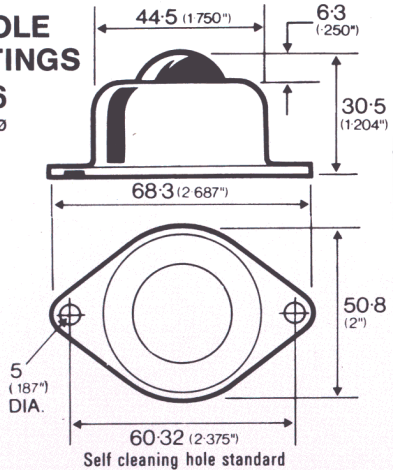


REF.	BALL SIZE	WEIGHT	TYPE 13 STEEL BEARINGS ZINC PLATED PRESSINGS		TYPE 14 NYLON MAIN BEARING ZINC PLATED PRESSINGS		TYPE 15 STAINLESS BEARINGS AND PRESSINGS		TYPE 16 STAINLESS BEARINGS ZINC PLATED PRESSINGS		SPECIAL FEATURES
			LOAD UP	LOAD DOWN	LOAD UP	LOAD DOWN	LOAD UP	LOAD DOWN	LOAD UP	LOAD DOWN	
3005	19mm (3/4")	100g	25kg	10kg	20kg	N/A	25kg	10kg	25kg	10kg	Foam Seal
1005	25mm (1")	160g	55kg	25kg	25kg	N/A	55kg	25kg	55kg	25kg	Foam Seal
1020	32mm (1 1/4")	380g	125kg	55kg	25kg	N/A	125kg	55kg	125kg	55kg	Felt/Foam Seal
2003	40mm (1 5/8")	480g	140kg	60kg	N/A	N/A	140kg	60kg	140kg	60kg	Foam Seal
4002	50mm (2")	2.10kg	340kg	100kg	N/A	N/A	340kg	100kg	340kg	100kg	Foam Seal
1006	25mm (1")	160g	55kg	25kg	25kg	N/A	55kg	25kg	55kg	25kg	Foam Seal
1503	25mm (1")	200g	100kg	50kg	25kg	N/A	100kg	50kg	100kg	50kg	Plastic Moulded Seal

2 HOLE FITTINGS

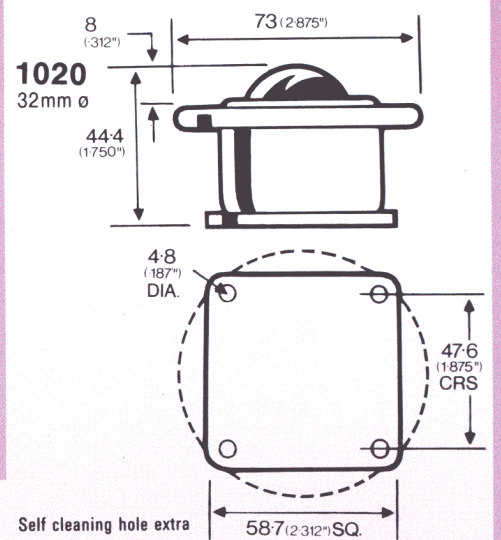
1006

25mm ø



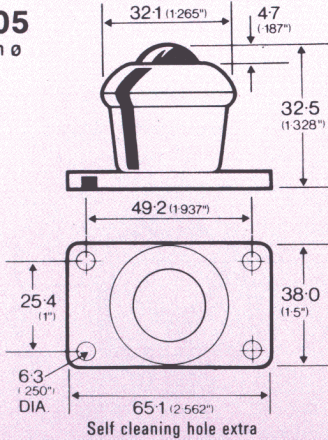
1020

32mm ø



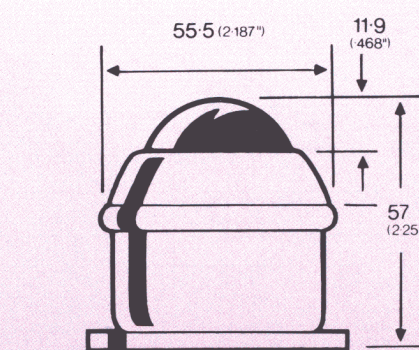
3005

19mm ø



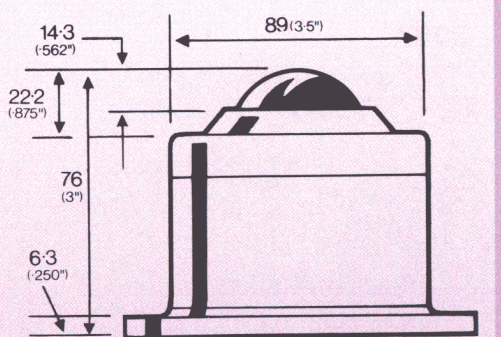
2003

40mm ø



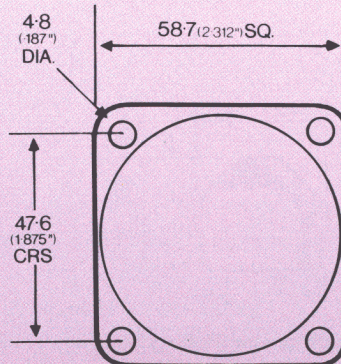
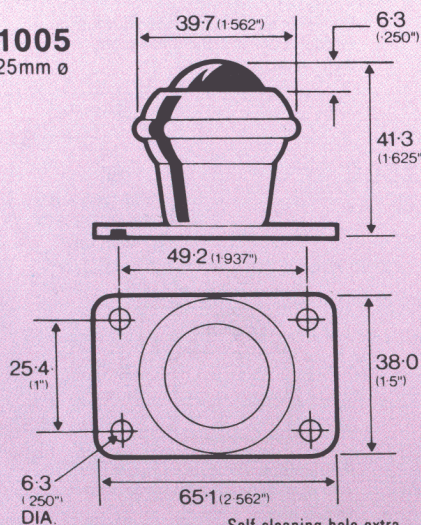
4002

50mm ø

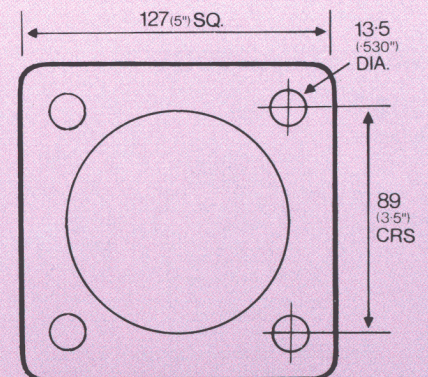


1005

25mm ø



Self cleaning hole extra



The overall height of this unit can be varied. Grease points can be fitted. Can be dismantled for cleaning.