


VS-04-MS-2GB-IP67

Order No.: 1405109

<http://eshop.phoenixcontact.de/phoenix/treeViewClick.do?UID=1405109>

USB memory stick, IP67, memory capacity 2 GB, USB 2.0, designed to connect through the panel mounting frame VS-A-F-IP67 on the VARIOSUB-USB socket inserts

Commercial data

GTIN (EAN)	 4 046356 321815
sales group	D539
Pack	1 pcs.
Customs tariff	85235110
Catalog page information	Page 310 (PC-2009)

Product notes

WEEE/RoHS-compliant since:
10/10/2007



<http://www.download.phoenixcontact.com>
Please note that the data given here has been taken from the online catalog. For comprehensive information and data, please refer to the user documentation. The General Terms and Conditions of Use apply to Internet downloads.

Technical data**Mechanical characteristics**

Number of positions	4
Ambient temperature (operation)	-15 °C ... 60 °C

Material data

Degree of protection	IP67
----------------------	------

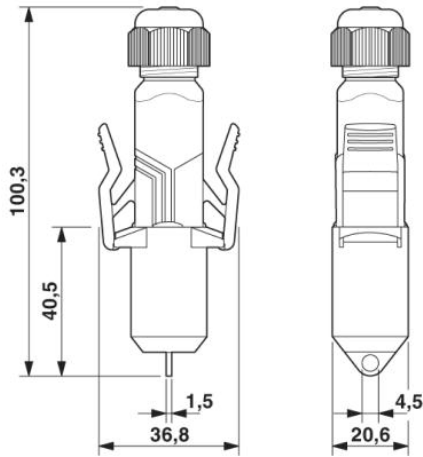
Electrical characteristics

Transmission characteristics (category)	USB 2.0
---	---------

Diagrams/Drawings

Dimensioned drawing

USB memory stick, IP67



Address

PHOENIX CONTACT Deutschland GmbH
Flachsmarktstr. 8
32825 Blomberg, Germany
Phone +49 5235 3 12000
Fax +49 5235 3 41200
<http://www.phoenixcontact.de>



© 2011 Phoenix Contact
Technical modifications reserved;