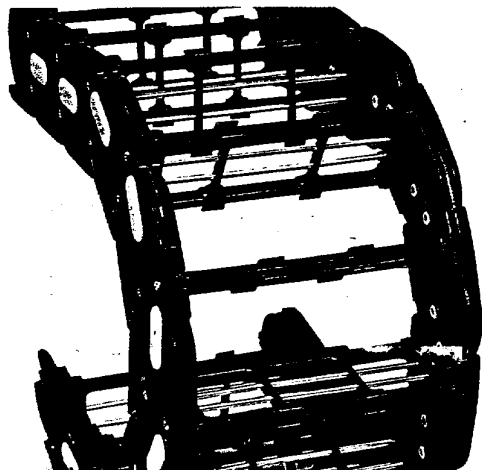
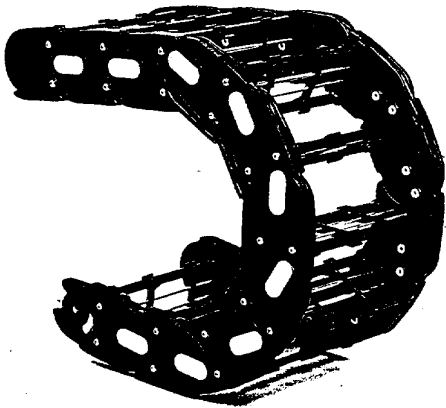
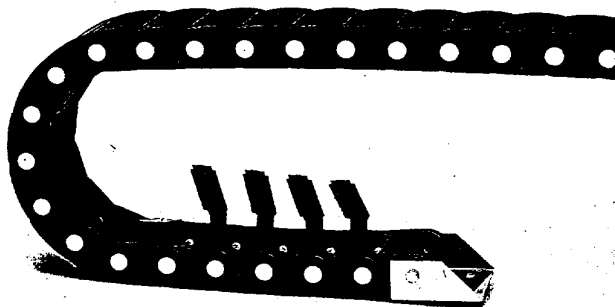
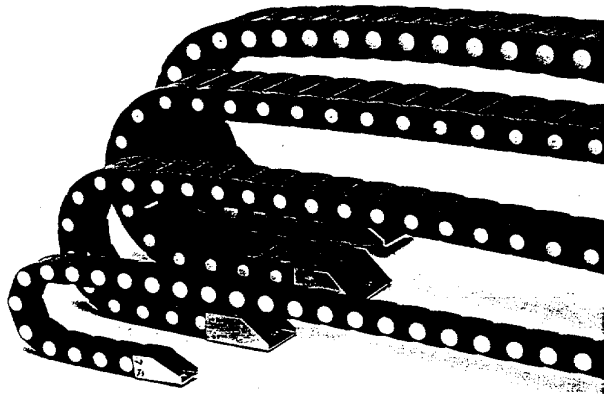


Nylon chains



Technical Characteristics

Light and secure, even at high speeds, Brevetti chains will provide protection for the components carried inside the chain for considerable travel distances. Uses are found for protecting moving cable in a wide variety of applications:

- Machine tools
- Robots and manipulator systems
- Conveyors and warehouse systems
- Special vehicles and aerial platforms

Technical Data

Polyamide Reinforced with Glass Fibre

	UNIT	TYPICAL VALUES
Temperature Range	C°	-25° +125°

MECHANICAL PROPERTIES	UNIT	C°	AMBIENT	
			DRY	WET
Impact strenght notched	KJ/m ²	+23 -40	53 42	— —
Impact strenght unnotched	KJ/m ²	+23 -40	14 11	23 12
Tensile yeld stress	N/mm ²	—	195	115
Tensile modulus of elasticity	N/mm ²	—	11.000	8.000

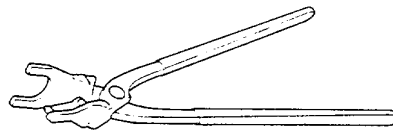
Chemical properties

Resistant to:

- Water (sea water)
- Ammonia
- Petrol
- Mineral Oil
- Oil

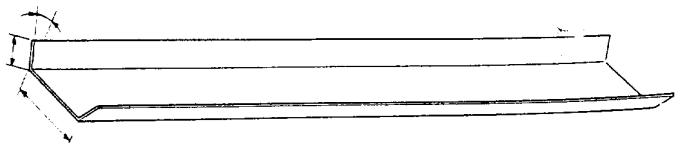
Assembling and dismantling of the links

The chain is sold and delivered complete with mounting attachments. It is always possible to modify the length of the chain or replace damaged links by simply using a special tool.



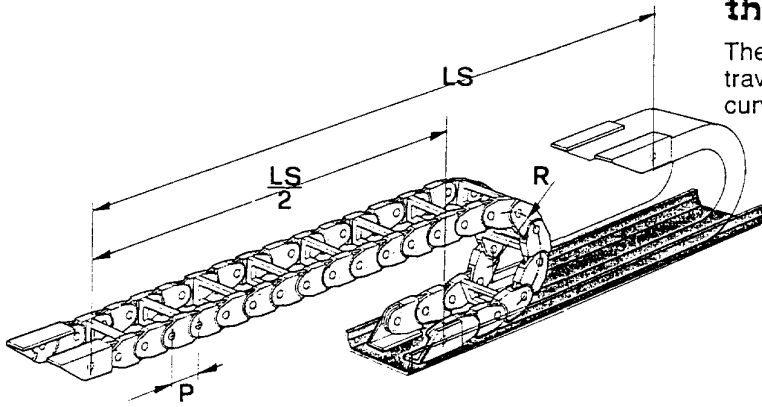
Guide Channel

To enable the chain to work efficiently, it is necessary that the surface of the support is both flat and continuous. Therefore, it is advisable to provide an adequate guide channel which we can supply on



Determining the length of the chain

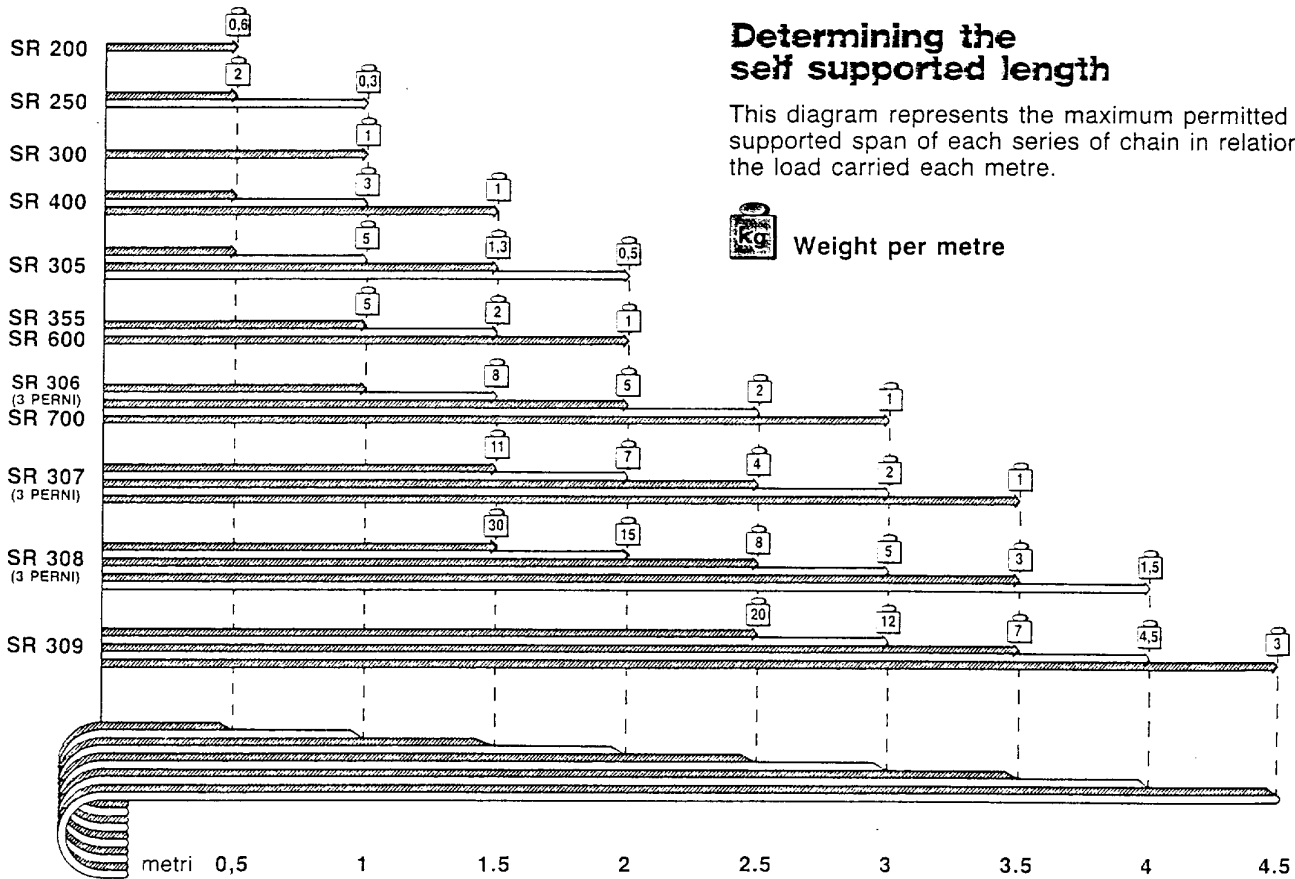
The length of the chain corresponds to half of the travel distances plus π multiplied by the radius of curvature + 2 times the pitch of the chain.



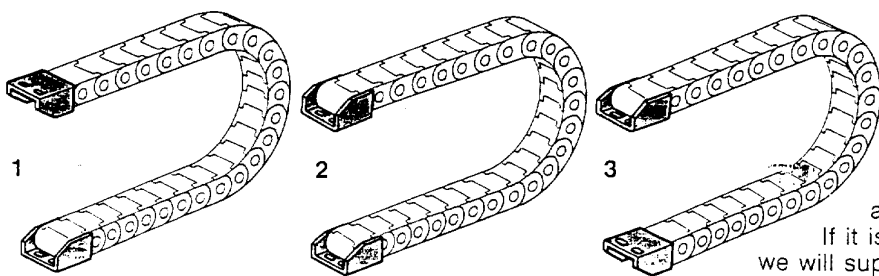
$$L = \frac{LS}{2} + \pi R + 2P$$

Determining the self supported length

This diagram represents the maximum permitted self supported span of each series of chain in relation to the load carried each metre.



Weight per metre

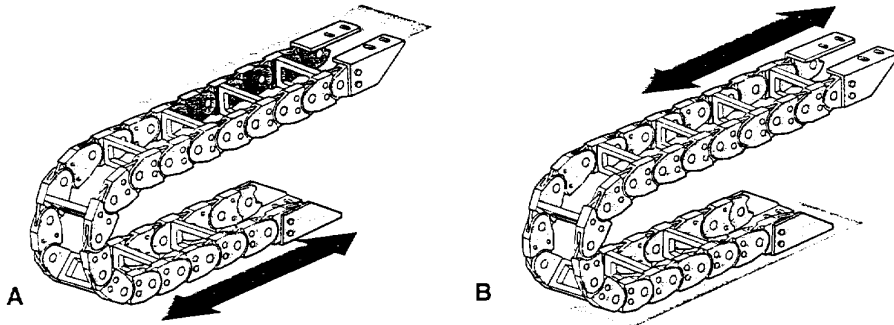


Arrangement of connections

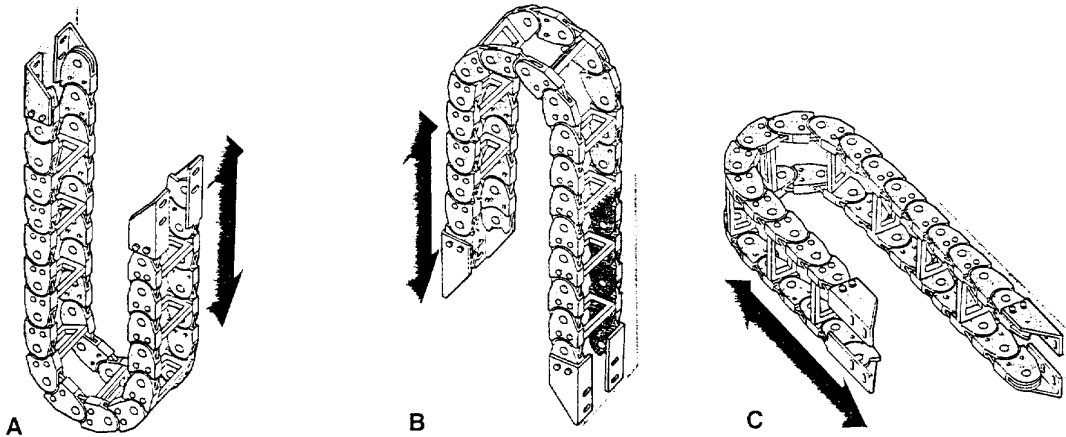
The end attachments can be assembled to a customer's request. If it is not specified in ordering we will supply scheme 1.

Mounting Variations

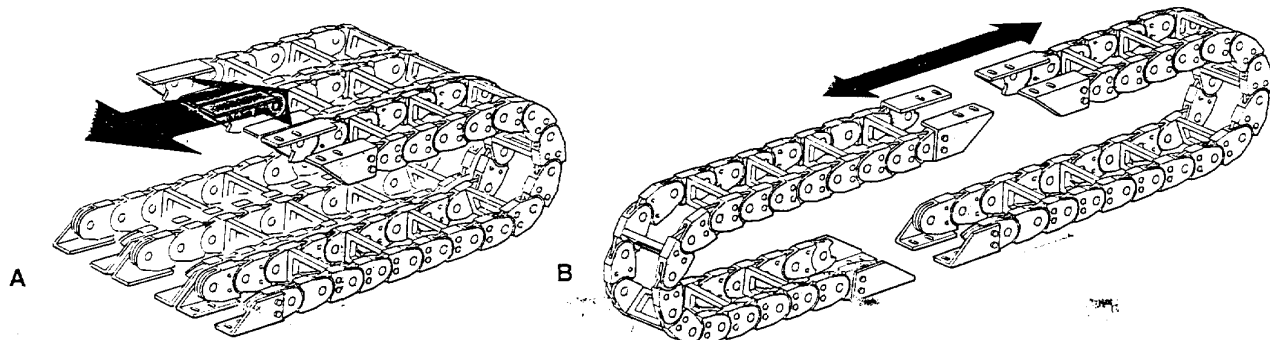
BREVETTI STENDALTO chains can be used to satisfy a wide variety and combination of motions:
 Horizontal with mobile part below or above
 Horizontal with chain mounted on its side
 Vertical with curve below or above
 Combination of both vertical and horizontal movement
 Our Technical Office is available to assist on special or complex applications with the support of C.A.D. systems.



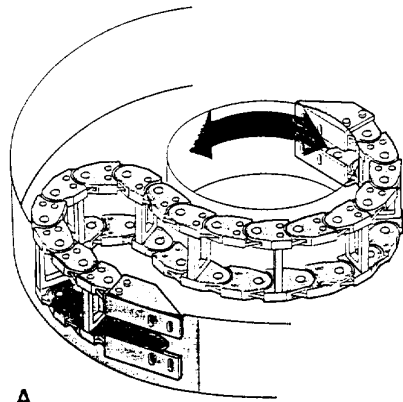
A Horizontal with mobile part below.
 B Horizontal with mobile part above.



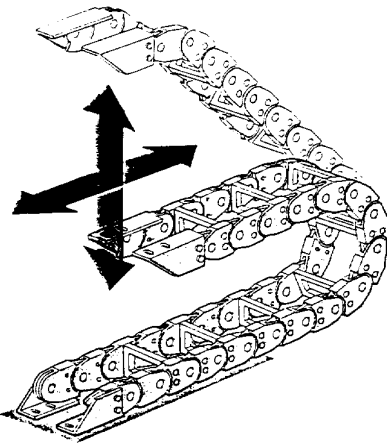
A Vertical with curve below.
 B Vertical with curve above.
 C Horizontal with chain mounted on its side.



A To increase the carrying capacity, it is possible to position the chains in parallel.
 B Chain in section to make a ring configuration.

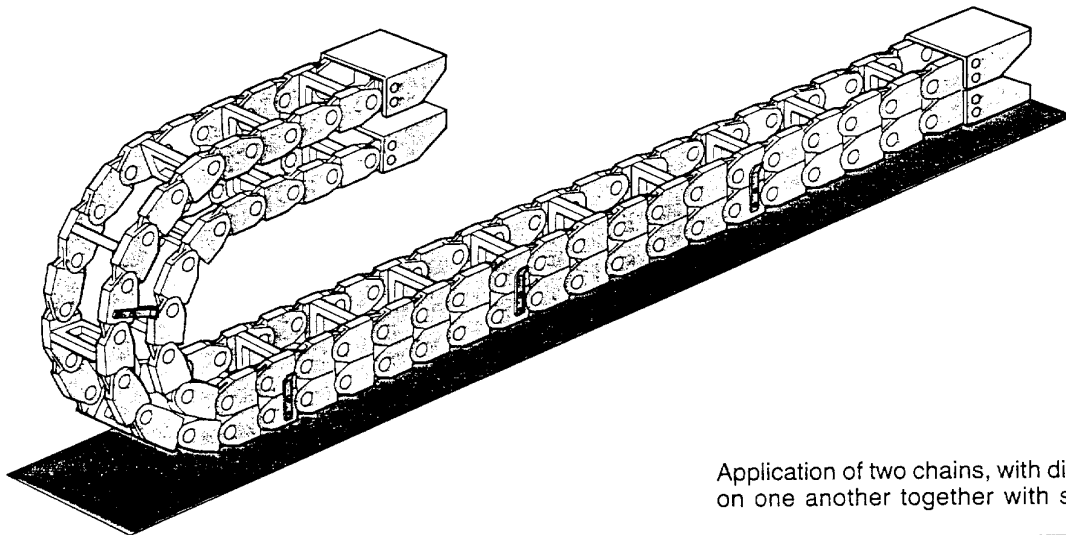


A

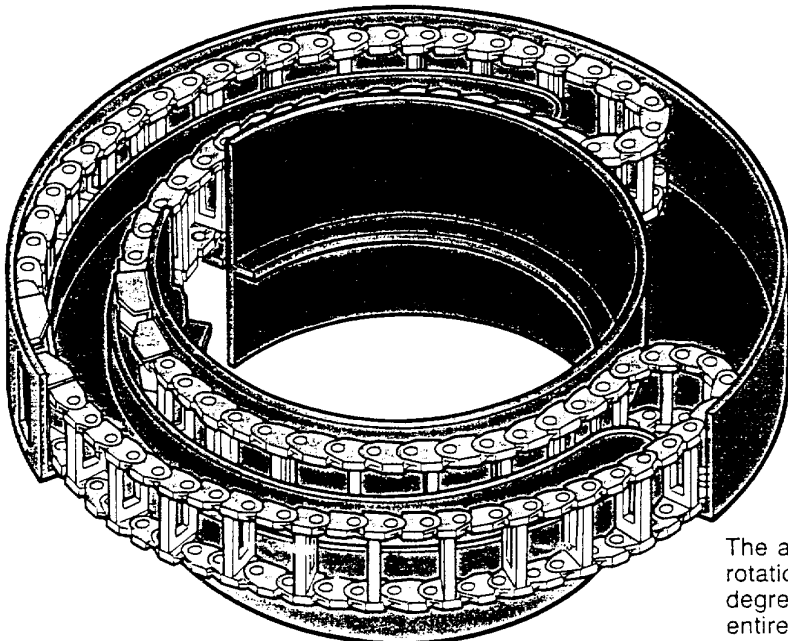


B

A Chain mounted on its side for circular movement.
 B Combination of both vertical and horizontal movement.



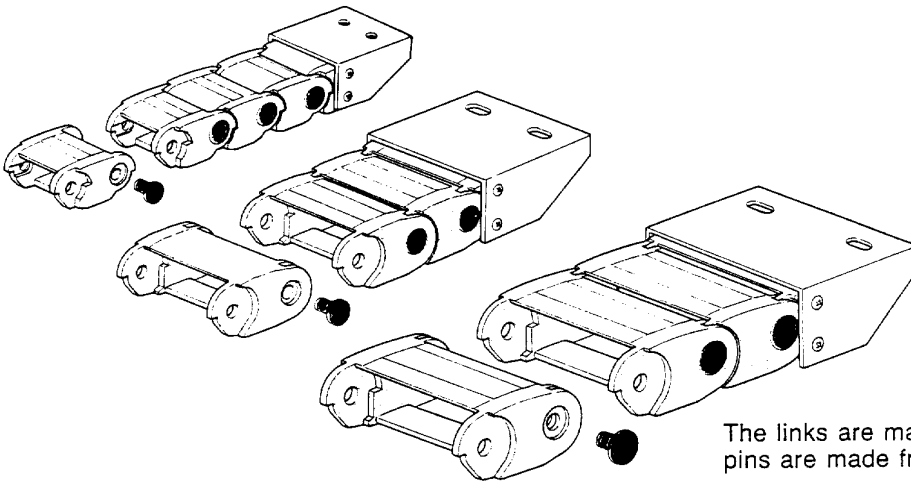
Application of two chains, with different radii, superimposed on one another together with steel guiding.



The application of 2 special chains in a counter rotation configuration allowing a rotation of 370 degrees. A special housing guides the chain over its entire rotation.

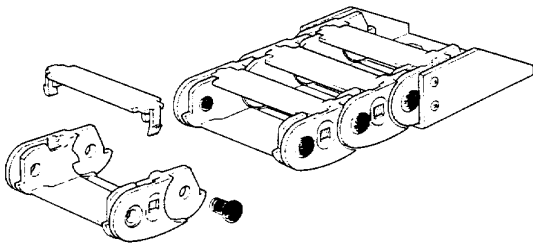
Constructional details of each series

SR 200 SR 300 SR 305 SR 355



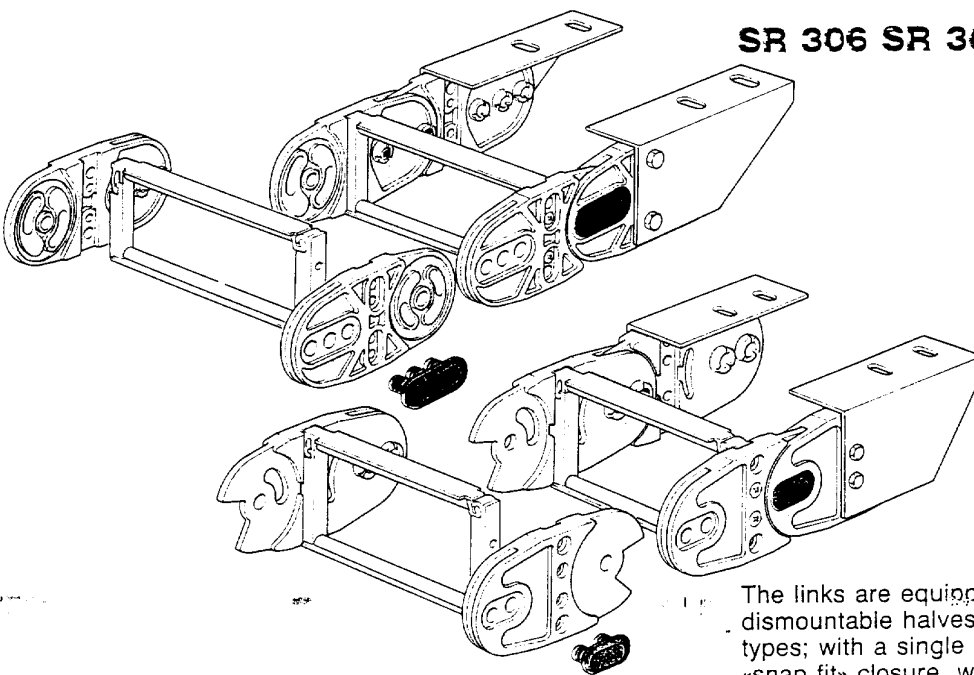
The links are made in one piece. The connecting pivot pins are made from an anti-friction material.

SR 400

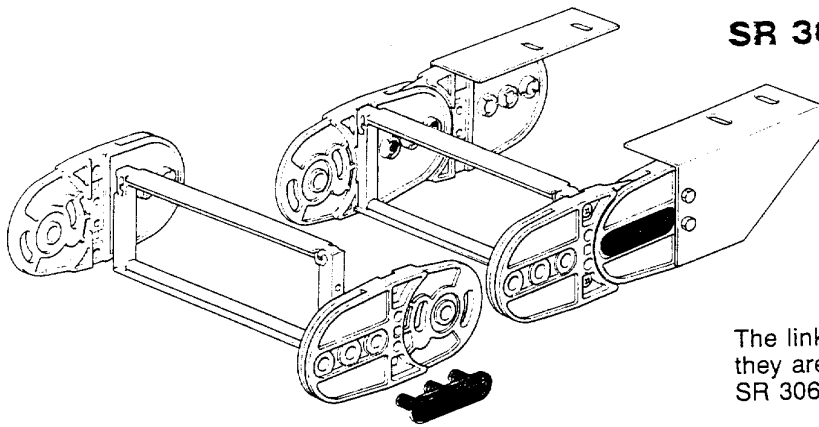


The links are in one piece with a removable cross piece with a «snap fit» connection for the installation of wiring equipment complete with connectors or joints.

SR 306 SR 307

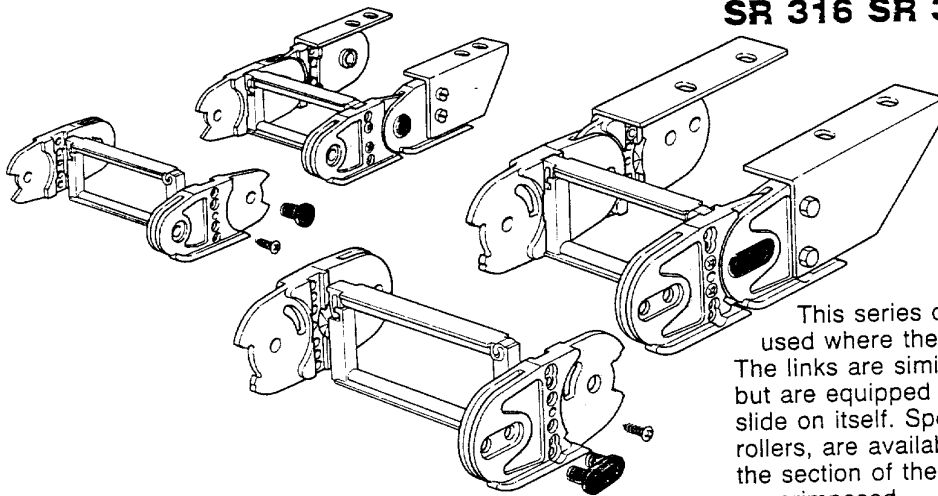


The links are equipped with transverse pieces in dismountable halves and are available in the following types; with a single slot and separators featuring a «snap fit» closure, with holes or aluminium rods and moveable separators.



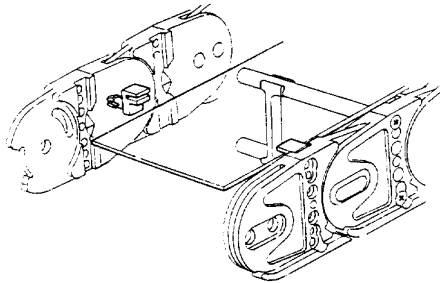
SR 308

The links are joined with double connector pins and they are equipped with cross pieces similar to series SR 306, SR 307.



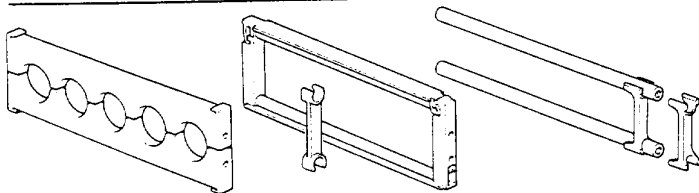
SR 316 SR 318

This series of chains are specially made to be used where the travel distance is particularly long. The links are similar to those of series SR 306, SR 308 but are equipped with skids which permit the chain to slide on itself. Special guide channels, equipped with rollers, are available to support the links of the chain in the section of the travel where the chains is not superimposed.



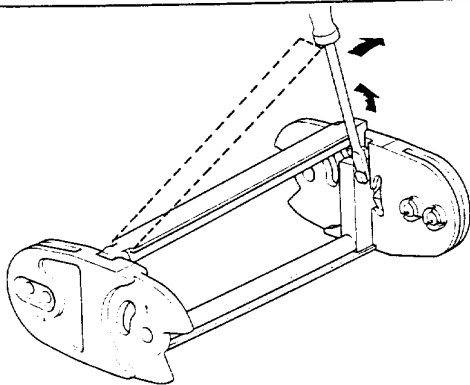
Laminar cover

The chains can be supplied on request with a laminar cover. The chains with rods as transverse pieces and separators can be supplied with hooks to enable a laminar cover to be fitted.

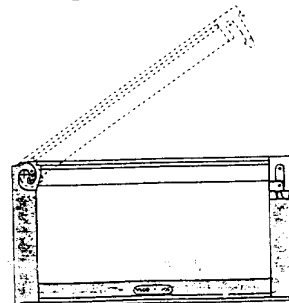


Transverse pieces

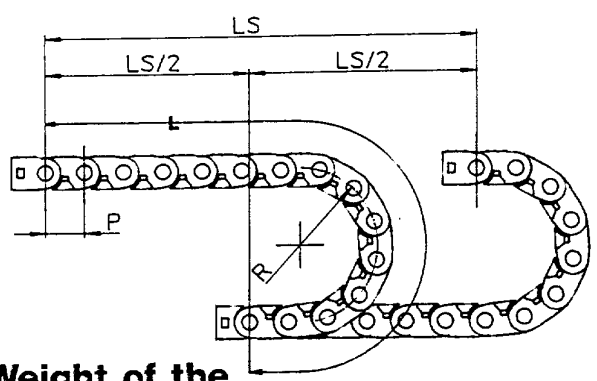
Transverse pieces in dismountable halves available with the following chain types: SR 306 SR 307 SR 308 SR 316 SR 318



Snap fit closure



537 949
 537 950
 538 012
 538 008



SR 305

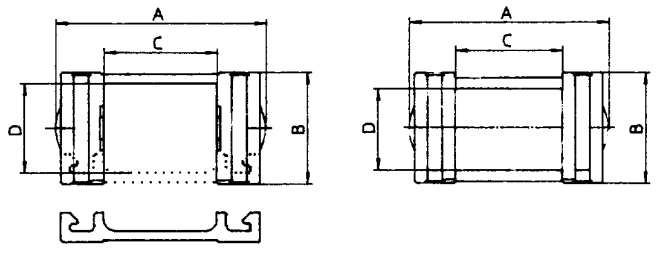
Chain with a closed link and pivot of antifriction material.

SR 305A

Chain with a closed link with pivot of antifriction material and opening cover.

Determining the length of the chain.

$$L = \frac{LS}{2} + \pi R + 2P$$



Weight of the chain without fastening

SERIES SR	Kg/m
305-008/010/020	0,90
305-009/030/040	1,00
305A-08/10/20	0,90
305A-09/30/40	1,00

SERIES SR	A	B	C	D	R	P	S	F	U	V
305/008	52	30	30	20	50	35	54	30	40	32
305/010					70					
305/020					120					
305/009	72	30	50	20	50	35	74	50	40	32
305/030					70					
305/040					120					
305A/08	54	30	30	24	50	35	54	42	30	30
305A/10					70					
305A/20					120					
305A/09	74	30	50	24	50	35	74	62	30	30
305A/30					70					
305A/40					120					

Dimensions in mm.

MANUFACTURING TOLERANCE OF ± 10%

Standard attachments:

SR 305 steel

SR 305A Nylon

