

NO	QTY	PART NO	DESCRIPTION
1	30	AWG #42	MICRO AXIAL CABLE COLOR: BROWN
2	2	M480-8113000R	SHELL
3	2	M480-8103045	HOUSING
4	2		UV GLUE
5	2	3M-5	ELECTRICAL TAPE
6	2	P005	PET FILM (TRANSPARENT)

NOTES: ALL DIMENSIONS AND NOTES MARKED \* ARE CRITICAL AND MUST BE CHECKED IN ACCORDANCE WITH QUALITY DOC. Q1-02A

ORDER CODE  
M480-CASSY1-30- XXX

L: 050 : 50 mm (STANDARD), L2=40 mm  
 L: 100 : 100 mm (STANDARD), L2=90 mm  
 L: 150 : 150 mm (STANDARD), L2=140 mm  
 L: XXX : SPECIFY DIMENSION, L2=L-10 mm

Allan	5	20.06.07	A052
Allan	4	04.04.07	A031
Allan	3	14.03.07	A024
Allan	2	27.02.06	A020
Allan	1	29.12.06	-

NAME	ISS.	DATE	C/NOTE
APPROVED: <i>Pen</i>			
CHECKED:			
DRAWN: Allan			
CUSTOMER REF.:			
ASSEMBLY DRG:			

# HARWIN

HARWIN USA  
TEL: 603 893 5376  
FAX: 603 893 5396  
mis@harwin.com

HARWIN Europe (UK)  
TEL: 023 9231 4545  
FAX: 023 9231 4590  
mis@harwin.co.uk

HARWIN Asia  
TEL: +65 6 779 4909  
FAX: +65 6 779 3868  
mis@harwin.com.sg

THIS DRAWING AND ANY INFORMATION OR DESCRIPTIVE MATTER SET OUT HEREON ARE CONFIDENTIAL AND COPYRIGHT PROPERTY OF THE HARWIN GROUP AND MUST NOT BE DISCLOSED, LOANED, COPIED OR USED FOR MANUFACTURING, TENDERING OR FOR ANY OTHER PURPOSE WITHOUT THEIR WRITTEN PERMISSION.

TOLERANCES  
 X. = ±1mm  
 X.X = ±0.30mm  
 X.XX = ±0.20mm  
 X.XXX = ±0.10mm  
 ANGLES = ±3°  
 UNLESS STATED

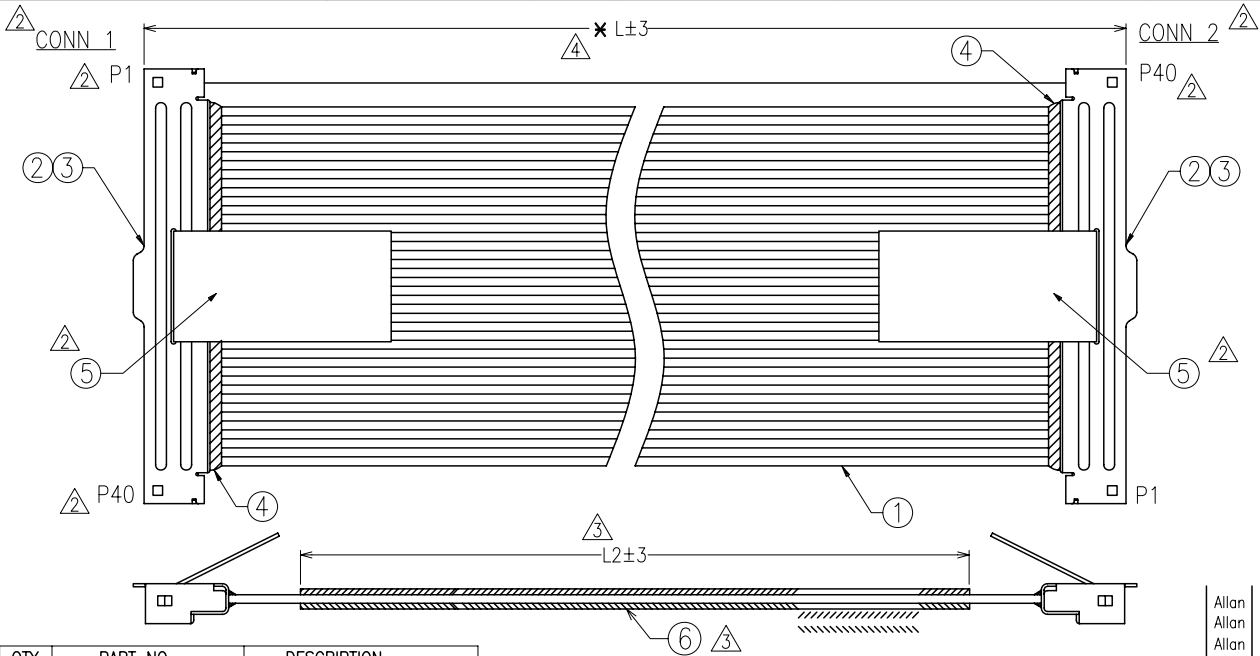
MATERIAL: SEE NOTES  
 FINISH: SEE NOTES  
 S/AREA: mm<sup>2</sup>

TITLE:  
M480 HARNESS 30P, TYPE 1 ASSY  
CONNECTOR ON BOTH END

DRAWING NUMBER:  
M480-CASSY1-30- XXX

SHT  
1  
OF  
1

DRAWING No.: M480-CASSY1-40- XXX      IF IN DOUBT - ASK      ©      NOT TO SCALE      THIRD ANGLE PROJECTION      ALL DIMENSIONS IN mm



NO	QTY	PART NO	DESCRIPTION
1	40	AWG #42	MICRO AXIAL CABLE COLOR BROWN
2	2	M480-8114000R	SHELL
3	2	M480-8104045	HOUSING
4	2		UV GLUE
5	2	3M-5	ELECTRICAL TAPE
6	2	P005	PET FILM (TRANSPARENT)

NOTES: ALL DIMENSIONS AND NOTES MARKED \* ARE CRITICAL AND MUST BE CHECKED IN ACCORDANCE WITH QUALITY DOC. Q1-02A

ORDER CODE  
M480-CASSY1-40- XXX

L: 050 : 50 mm (STANDARD), L2=40 mm  
 L: 100 : 100 mm (STANDARD), L2=90 mm  
 L: 150 : 150 mm (STANDARD), L2=140 mm  
 L: XXX : SPECIFY DIMENSION, L2=L-10 mm

Allan	5	20.06.07	A052
Allan	4	04.04.07	A031
Allan	3	14.03.07	A024
Allan	2	27.02.07	A020
Allan	1	29.12.06	-

NAME	ISS.	DATE	C/NOTE
APPROVED: _____			
CHECKED: <i>Paul</i>			
DRAWN: Allan			
CUSTOMER REF.:			
ASSEMBLY DRG:			

# HARWIN

HARWIN USA  
TEL: 603 893 5376  
FAX: 603 893 5396  
mis@harwin.com

HARWIN Europe (UK)  
TEL: 023 9231 4545  
FAX: 023 9231 4590  
mis@harwin.co.uk

HARWIN Asia  
TEL: +65 6 779 4909  
FAX: +65 6 779 3868  
mis@harwin.com.sg

THIS DRAWING AND ANY INFORMATION OR DESCRIPTIVE MATTER SET OUT HEREON ARE CONFIDENTIAL AND COPYRIGHT PROPERTY OF THE HARWIN GROUP AND MUST NOT BE DISCLOSED, LOANED, COPIED OR USED FOR MANUFACTURING, TENDERING OR FOR ANY OTHER PURPOSE WITHOUT THEIR WRITTEN PERMISSION.

TOLERANCES  
 X. = ±1mm  
 X.X = ±0.30mm  
 X.XX = ±0.20mm  
 X.XXX = ±0.10mm  
 ANGLES = ±3°  
 UNLESS STATED

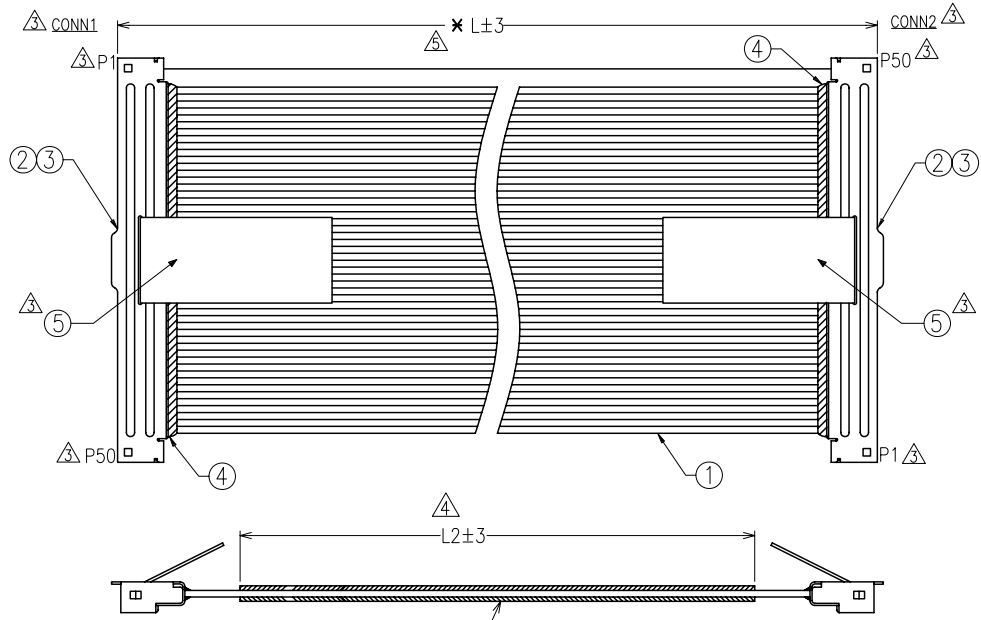
MATERIAL: SEE NOTES  
 FINISH: SEE NOTES  
 S/AREA: mm<sup>2</sup>

TITLE:  
M480 HARNESS 40P, TYPE 1 ASSY  
CONNECTOR ON BOTH END

DRAWING NUMBER:  
M480-CASSY1-40- XXX

SHT  
1  
OF  
1

DRAWING No.: M480-CASSY1-50- XXX      IF IN DOUBT - ASK      ©      NOT TO SCALE      THIRD ANGLE PROJECTION      ALL DIMENSIONS IN mm



NO	QTY	PART NO	DESCRIPTION
1	50	AWG #42	MICRO AXIAL CABLE COLOR: BROWN
2	2	M480-8115000R	SHELL
3	2	M480-8105045	HOUSING
4	2		UV GLUE
5	2	3M-5	ELECTRICAL TAPE
6	2	P005	PET FILM (TRANSPARENT)

NOTES: ALL DIMENSIONS AND NOTES MARKED \* ARE CRITICAL AND MUST BE CHECKED IN ACCORDANCE WITH QUALITY DOC. Q1-02A

ORDER CODE  
M480-CASSY1-50- XXX

L: 050 : 50 mm (STANDARD), L2=40 mm  
 L: 100 : 100 mm (STANDARD), L2=90 mm  
 L: 150 : 150 mm (STANDARD), L2=140 mm  
 L: XXX : SPECIFY DIMENSION, L2=L1-10 mm

NAME	ISS.	DATE	C/NOTE
Allan	6	20.06.07	A052
Allan	5	04.04.07	A031
Allan	4	14.03.07	A024
Allan	3	27.02.07	A020
Allan	2	09.01.07	A011
Allan	1	29.12.06	-

NAME	ISS.	DATE	C/NOTE
APPROVED: _____			
CHECKED: <i>Ben</i>			
DRAWN: Allan			
CUSTOMER REF.:			
ASSEMBLY DRG:			

**HARWIN**

HARWIN USA  
TEL: 603 893 5376  
FAX: 603 893 5396  
mis@harwin.com

HARWIN Europe (UK)  
TEL: 023 9231 4545  
FAX: 023 9231 4590  
mis@harwin.co.uk

HARWIN Asia  
TEL: +65 6 779 4909  
FAX: +65 6 779 3868  
mis@harwin.com.sg

THIS DRAWING AND ANY INFORMATION OR DESCRIPTIVE MATTER SET OUT HEREON ARE CONFIDENTIAL AND COPYRIGHT PROPERTY OF THE HARWIN GROUP AND MUST NOT BE DISCLOSED, LOANED, COPIED OR USED FOR MANUFACTURING, TENDERING OR FOR ANY OTHER PURPOSE WITHOUT THEIR WRITTEN PERMISSION.

TOLERANCES  
X. = ±1mm  
X.X = ±0.30mm  
X.XX = ±0.20mm  
X.XXX = ±0.10mm  
ANGLES = ±3°  
UNLESS STATED

MATERIAL: SEE NOTES  
FINISH: SEE NOTES  
S/AREA: mm<sup>2</sup>

TITLE:  
M480 HARNESS 50P, TYPE 1 ASSY  
CONNECTOR ON BOTH END

DRAWING NUMBER:  
M480-CASSY1-50- XXX

SHT  
1  
OF  
1