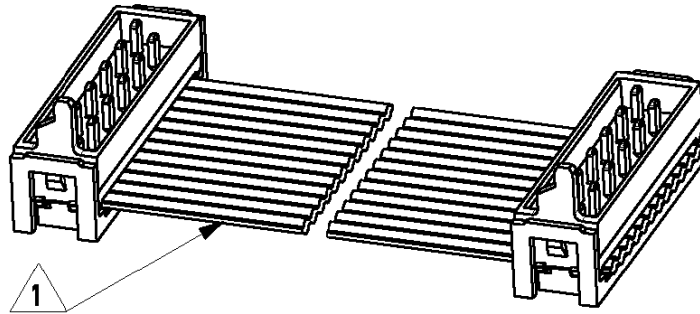


| LOC | DIST | LTR | REVISION RECORD | DATE     | APVD |
|-----|------|-----|-----------------|----------|------|
| H   | -    | A   | EH00-1269-01    | 19/11/01 | HS   |
| -   | -    | -   | -               | -        | -    |
| -   | -    | -   | -               | -        | -    |

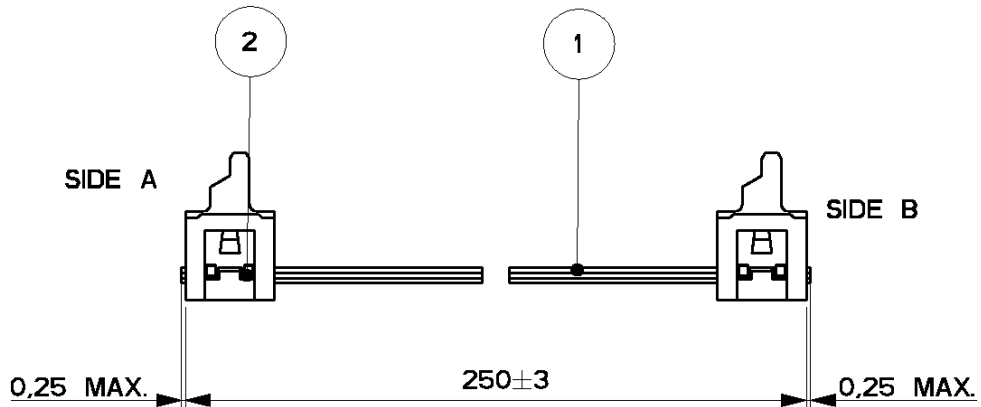
1 WIRE RED MARKED

2 ASSEMBLIES ARE PACKAGED ACCORDING PACKAGING SPEC 107-19582

SIDE A



SIDE B



| Item no. | Description                 | QTY |
|----------|-----------------------------|-----|
| 2        | MALE ON WIRE CONNECTOR      | 2   |
| 1        | BULK WIRE FLAT RIBBON CABLE | 1   |

THIS DRAWING IS UNPUBLISHED.

COPYRIGHT -

XXXXXXXXXX DATE: -

By Tyco Electronics Nederland B.V.

|  |                  |             |  |           |             |
|--|------------------|-------------|--|-----------|-------------|
| DIMENSIONS:<br>mm                      | DWN              | H.Spelde    | MATERIAL   | FINISH    |             |
|  | CHK              | H. Spelde   | <b>AMP</b><br>Tyco Electronics Nederland B.V.<br>'s-HERTOGENBOSCH, THE NETHERLANDS<br>NAME<br>Micro-MaTch Lead Ass'y<br>12 POSITIONS |           |             |
| TOLERANCES UNLESS OTHERWISE SPECIFIED: | APVD             | E. Leijtens |  |           |             |
| 0 PLC ± -                              | PRODUCT SPEC     | -           |  |           |             |
| 1 PLC ± -                              | APPLICATION SPEC | -           |  |           |             |
| 2 PLC ± -                              | WEIGHT           | -           | SIZE   | CAGE CODE | DRAWING NO  |
| 3 PLC ± -                              |                  |             | A4   | 00779     | C-1483354-3 |
| 4 PLC ± -                              |                  |             | CUSTOMER DRAWING   |           |             |
| ANGLES ± -                             |                  |             | SCALE  | SHEET     | OF          |
|  |                  |             | 5:2  | 1         | 1           |
|  |                  |             |  | REV       | A           |