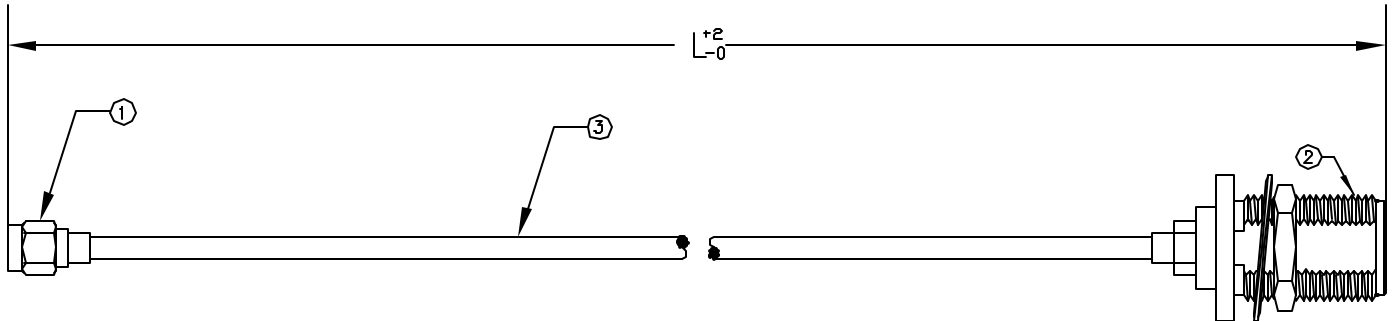


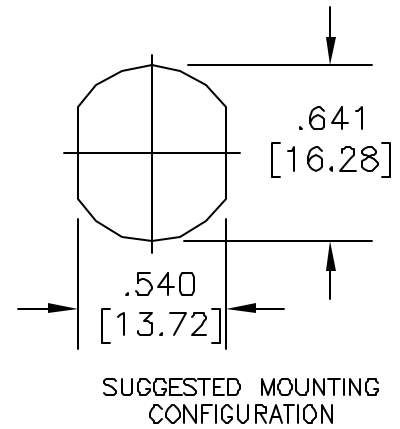
All rights Reserved . No Portion of this publication, whether in whole or in part can be reproduced without the express written consent of SPC Technology.

Revisions:			DOC. No.		* Effective: 12/21/98		* DCP No. 680	
DCP: #	REV	Description:	Drawn	Date	Checked	Date	Approved	Date
XXX	A	RELEASED	Veena	27-11-08	Suresh	27-11-08	JN	12/12/08



ITEM	DESCRIPTION	MATERIAL	FINISH
■	■	■	■
■	■	■	■
■	■	■	■

Manufacturer Part Number	Length	Cable Type	Strain Relief
SPC28674	12	RG-402U	No
SPC28675	24	RG-402U	No
SPC28676	36	RG-402U	No
SPC28677	48	RG-402U	No
SPC28678	60	RG-402U	No
SPC28679	72	RG-402U	No
SPC28680	12	SR402FL	No
SPC28681	24	SR402FL	No
SPC28682	36	SR402FL	No
SPC28683	48	SR402FL	No
SPC28684	60	SR402FL	No
SPC28685	72	SR402FL	No
SPC28686	12	RG-405U	No
SPC28687	24	RG-405U	No
SPC28688	36	RG-405U	No
SPC28689	48	RG-405U	No
SPC28690	60	RG-405U	No
SPC28691	72	RG-405U	No
SPC28692	12	SR405FL	No
SPC28693	24	SR405FL	No
SPC28694	36	SR405FL	No
SPC28695	48	SR405FL	No
SPC28696	60	SR405FL	No
SPC28697	72	SR405FL	No



Disclaimer:

All statements and technical information contained herein are based upon information and/or tests we believe to be accurate and reliable. Since conditions of use are beyond our control, the user shall determine the suitability of the product for the intended use and assume all risk and liability whatsoever in connection therewith.



SPC TECHNOLOGY

Drawing Title: SMA MALE SEMI RIGID TO N FEMALE SEMI RIGID BULKHEAD		Size: A		Dwg. No: TA-1016		Electronic File: TA-1016.dwg		Rev: A	
		Scale: NTS		U.O.M.: Inches (mm)		Sheet: 1 of 1			

Unless otherwise specified, Dimensions are for references purposes only.

Drawn By:	Date:
Veena	27-11-08
Checked By:	Date:
Suresh	27-11-08
Approved By:	Date:
Jason Nash	12/12/08