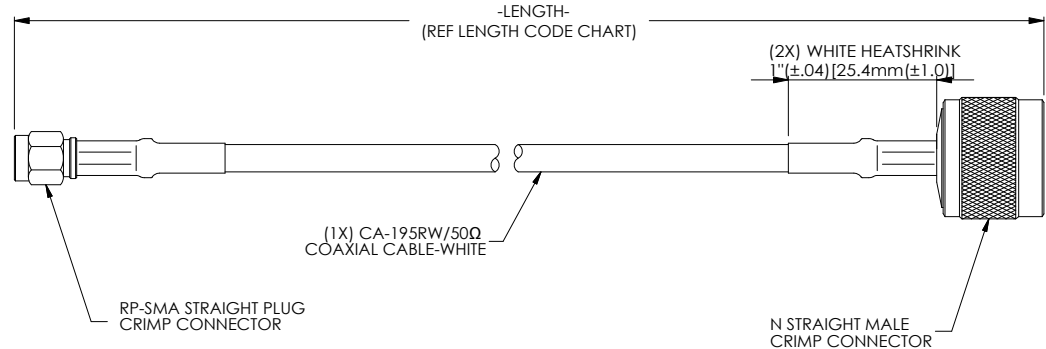


THE INFORMATION CONTAINED IN THIS DRAWING IS THE SOLE PROPERTY OF L-COM, INC. ANY REPRODUCTION IN PART OR WHOLE WITHOUT THE WRITTEN PERMISSION OF L-COM, INC. IS PROHIBITED.

REVISIONS			
REV	DESCRIPTION	DATE	APPROVED
A	Initial Release	2/11/10	B.Puchaski



LENGTH CODE CHART		
CABLE# & LENGTH	LENGTH SYMBOL	EXAMPLES OF PART# USED
CA-RSPNMBXXX	WHERE XXX = LENGTH IN FEET	CA-RSPNMB010 (10 FEET)
CA-RSPNMBNXX	WHERE NXX = LENGTH IN INCHES	CA-RSPNMBN16 (16 INCHES)
CA-RSPNMBMXX	WHERE MXX = LENGTH IN METERS	CA-RSPNMBM07 (7 METERS)
CA-RSPNMBXMX	WHERE XMX = LENGTH IN DECIMEL METERS	CA-RSPNMB3M5 (3.5 METERS)

- NOTES:
- CABLE ASSEMBLY SHALL BE TESTED FOR CONTINUITY
 - CABLE ASSEMBLY SHALL RECIEVE INSERTION LOSS TEST#TP-00027
 - CABLE ASSEMBLY SHALL WITHSTAND PULL TEST OF 40lbs WITHOUT ANY SEPERATION OR ELECTRICAL FAILURE
 - CABLE SHALL BE RoHS COMPLIANT
 - CABLE ASSEMBLY SHALL BE INDIVIDUALLY PACKAGED IN ACCORDANCE WITH L-COM SPECIFICATION PS-0031
 - CENTER PIN OF CONNECTORS TO BE SOLDERED OR CRIMPED ONTO CABLE INNER CONDUCTOR

UNLESS OTHERWISE SPECIFIED, DIMENSIONS ARE IN INCHES [mm] OVERALL CABLE LENGTH TOLERANCE: ≤ 12 [305] = +1 [25] / -0 >12 [305] ≤ 60 [1524] = +2 [51] / -0 >60 [1524] ≤ 120 [3048] = +4 [102] / -0 >120 [3048] ≤ 300 [7620] = +6 [152] / -0 >300 [7620] = +5% / -0% ALL OTHER DIMENSIONAL TOLERANCES: X = ±.2 XX = ±.02 XXX = ±.005	APPROVALS DRAWN BY: B.Puchaski CHECKED BY: M.Audas APPROVED BY: M.Audas	DATE 02/11/10 02/11/10 02/11/10	45 BEECHWOOD DRIVE NORTH ANDOVER, MA 01845 CATEGORY COAXIAL PRODUCT DESCRIPTION Fabrication: White CA-195RW Series RP-SMA Plug To N-Male Assembly w/Heatshrink		
	CONFIGURATION DETAILS OF UNDIMENSIONED FEATURES MAY VARY COLOR VARIATIONS MAY OCCUR	SIZE A		FSCM NO. 43321	DWG. NO. CA-RSPNMB
	PROJECTION 	SCALE: NONE		CAD FILE: CA-RSPNMB.SLDDRW	REV. A SHEET 1 OF 1