



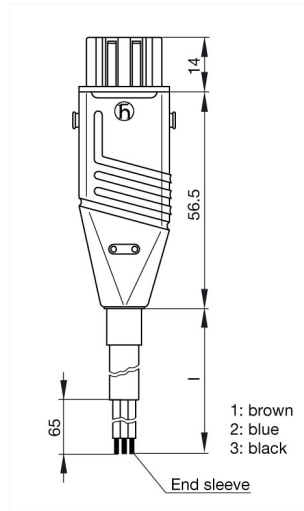
STAK 3 K 075 5m grau/grey

Industrial Connectors:Rectangular connectors ST-series:Cable socket

Product description

Description	Molded-on cable socket with harmonized lead (DIN VDE 0282)
Type	STAK 3 K 075 5m grau/grey
Order No.	932 187-015
Type of contact	female
Number of contacts	3 + PE
Cable color	black
Cable length	5 m
Cable diameter	7.5 mm
Conductor size	0.75 mm ²
Cable specification	4 x 0.75 mm ²
Cable type	H05 RR-F4G 0,75
Housing Color	grey
Contact bearer color	black

Drawing



Technical data

Pin dimensions	2 mm
Rated voltage	DC 250 V / AC 400 V
Rated current	DC 10 A / AC 10 A
Contact resistance	≤ 5 mOhm

Material

Contact material	Cu Zn
Contact surface material	Sn
Contact bearer material	PA
Housing material	PA

Environmental conditions

Protection class (IEC 60529)	IP 54
Pollution severity	3

Temperature range -30°C to +90°C (connector)/+60°C (cable)

Inflammability class

Housing UL 94 V-1

Cable VDE 0472 part 804

Contact bearer UL 94 HB

Approvals

VDE VDE

SEV SEV

Packaging unit

Packaging unit 40 pieces

Scope of delivery and accessories

Accessories to order separately safety brackets STASI 3,
order no. 732 045-000