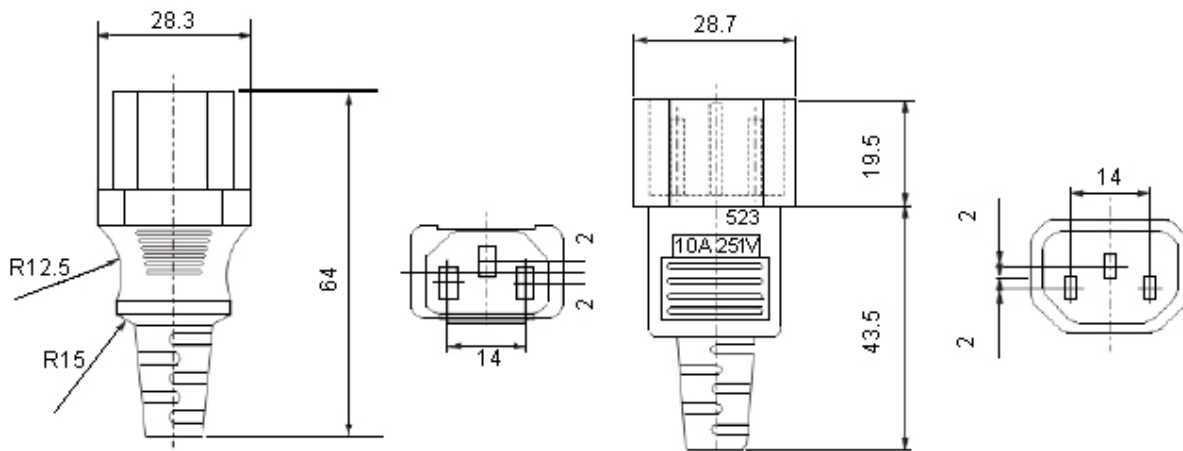


Mains Leads



Dimensions : Millimetres

Specifications:

- End 1 : IEC cold connector (C13) black.
- Lead : 1.00m HO5VV-F 3 x 1.00 black.
- End 2 : IEC cold connector plug (C14) black.

Part Number Table

Description	Part Number
Lead, IEC PLG-SKT, 1M	L102154

