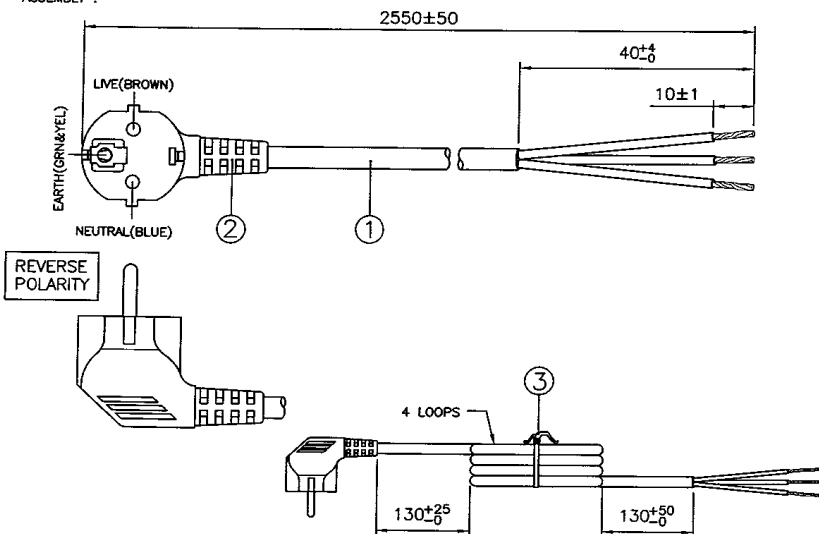


DRAWING NUMBER:
HG02-069-05

CABLE CUTTING
CABLE SOURCE :
1. BAO HING(SHENZHEN).
2. TONG YUAN(SHENZHEN).

ASSEMBLY :



- Notes :
1. ALL DIMENSIONS IN mm.
 2. PLUG MARKING : REFER TO MARKING DRAWING NO. : VP-0006E.
 3. PLUG DETAILS : REFER TO PRODUCT DRAWING NO. : P-0020.
 4. THIS PART CAN BE MANUFACTURED AT ANY LOCATION WHICH HAS SAFETY APPROVAL.
 5. CONNECTION TO THE PLUG IS IN REVERSE POLARITY.

| REV. | ECN REF. NO. | DESCRIPTION | DATE |
|------|--------------|------------------|----------|
| 1 | HG02-069-05 | INITIAL RELEASE. | 17/02/05 |

FOR ENQUIRY ONLY
NOT FOR MASS PRODUCTION

APPROVAL BY : _____
DATE : _____

| 3 | 6" PE TIE WHT | 6310055 | 1 | | |
|--|----------------------------------|-------------|--------------|------------|--|
| | IP60G NL7976B BLK | 4100115 | - | | |
| 2 | MOLDED PLUG M2511A (16A 250V) | M2511A | 1 | | |
| 1 | H05VV-F 3X1.00 BLK PVC LEAD FREE | 1210365 | - | | |
| S/N | DESCRIPTION | ITEM NUMBER | QTY | | |
| TITLE : EUROPEAN POWER SUPPLY CORD (ROHS FR) | | PAGE : 1/1 | | | |
| CUSTOMER : VPE / FARNELL | | HG02-069-05 | | | |
| CUSTOMER PART NUMBER : X-285663A | | REVISION | | | |
| F/G CODE : - - - | | 1 | | | |
| SALES : | QA : | ENGRG : | CHECKED BY : | DRAWN BY : | Volet (Asia) Pte Ltd <small>Confidential property of Volet. Information contained herein shall not be disclosed to others, reproduced or used for any other purpose except as authorized in writing by an authorized official of Volet Asia.</small> |
| DATE : | DATE : | DATE : | DATE : | DATE : | |
| | | 18/2/05 | 18/2/05 | 17/02/05 | |